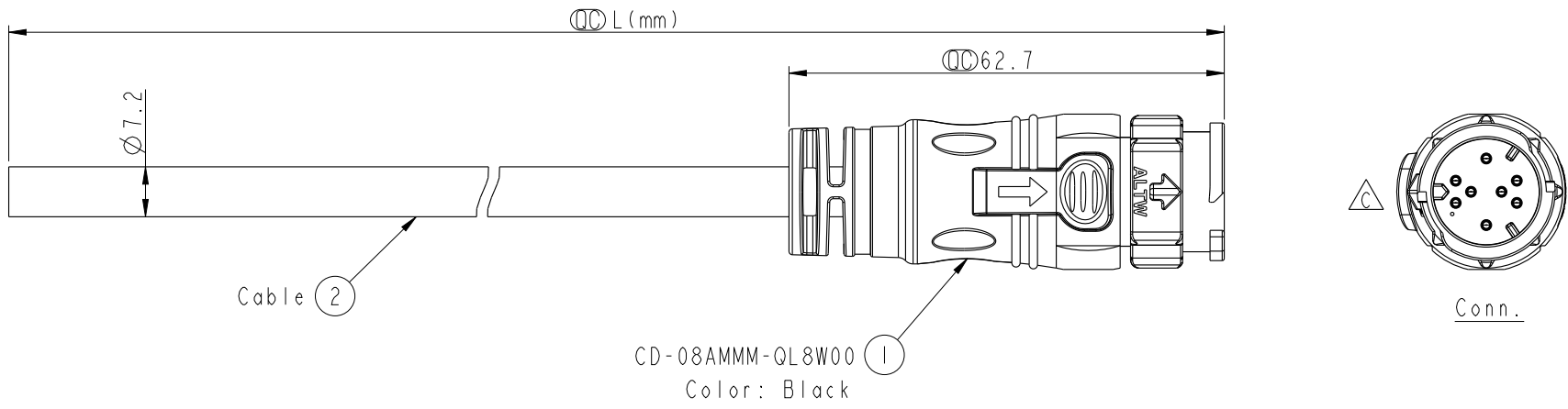


THIS DOCUMENT IS SUBJECT TO CHANGE WITHOUT NOTICE. IT IS CONFIDENTIAL AND A PROPERTY OF Amphenol LTW. DISCLOSURE TO THIRD PARTY HAS TO BE AUTHORIZED BY Amphenol LTW.

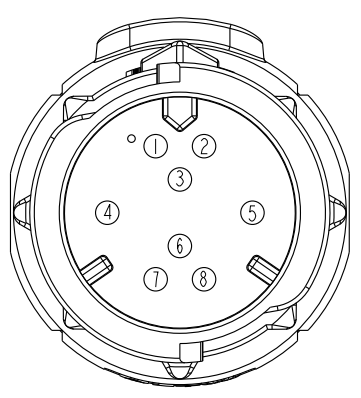
REV.	ECN NO.	DATE	SIGN	DESCRIPTION
B	LEN15C0095	2015-12-01	Spring	update the pin out and note
C	CI92040	2019-11-24	Peng	$\triangle C$ XI



CD-08AMMM-QL8W00  
Color: Black

- Note:
- \*  $\text{\textcircled{C}}$  Important Dimension To Check.
  - \* Working Voltage Rating: AC 300 V
  - \* Working Current Rating: 5A
  - \* Waterproof Rate: IP68(Mated)  
(in 1 meter water within 24 hours)
  - \* Housing: Nylon+GF, Black.
  - \* Male Pin :Copper Alloy, Gold Plated
  - \* Cable: UL21388 20AWG\*8C+AL/PET Tape  
Black, PVC Jacket UV Resistant, OD=7.2
  - \* Cable Length Tolerance: 01M:±40mm  
02M~05M:±60mm  
06M~10M:±100mm  
11M~30M:±200mm  
31M~99M:±500mm

CD-08AMMM-QL8DXX  
 XX :01~99Meters  
 01 :01Meter  
 02 :02Meters  
 :  
 :  
 99 :99Meters



8	Green	綠
7	Orange	橙
6	Blue	藍
5	Purple	紫
4	Yellow	黃
3	Black	黑
2	Red	紅
1	Brown	棕
Conn.	Wire Color	

Pin Assignments  
Front View

UNIT:mm TOLERANCE ±0.5	TITLE X Lok C-Size Cable 8 Pin 5A M Conn. M Pin			Amphenol LTW 安費諾亮泰企業股份有限公司	ITEM NO	DRAWN BY Spring	DATE 2015-12-01
	SCALE 1:1	SIZE A4	SHEET 1 OF 1		DWG NO CD-08AMMM-QL8DXX	CHECKED BY Fisher	DATE 2015-12-01
	REV. C	WC-REV. A.2	$\text{\textcircled{C}}$ : Inspection item		CUSTOMER ALTW	APPROVED BY Kevin	DATE 2015-12-01