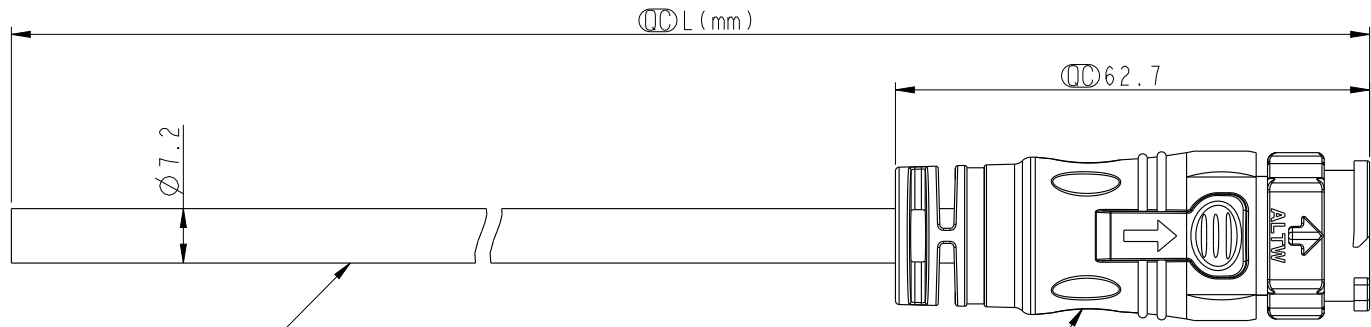
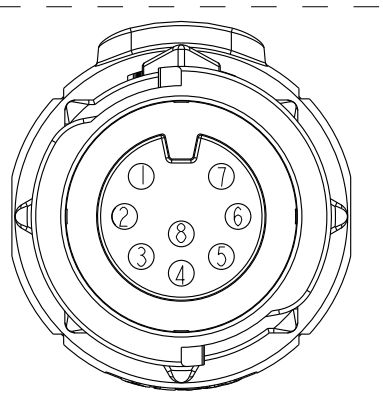
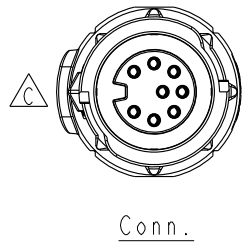


THIS DOCUMENT IS SUBJECT TO CHANGE WITHOUT NOTICE. IT IS CONFIDENTIAL AND A PROPERTY OF Amphenol LTW. DISCLOSURE TO THIRD PARTY HAS TO BE AUTHORIZED BY Amphenol LTW.

REV.	ECN NO.	DATE	SIGN	DESCRIPTION
B	LEN15C0094	2015-12-01	Spring	update the pin out and note
C	CI92040	2019-11-24	Peng	△C XI



CD-08AMFM-QL8W00
Color: Black



Pin Assignments
Front View

8	Green	綠
7	Orange	橙
6	Blue	藍
5	Purple	紫
4	Yellow	黃
3	Black	黑
2	Red	紅
1	Brown	棕
Conn.	Wire Color	

Pin Out

CD-08AMFM-QL8DXX

- XX : 01~99Meters
- 01 : 01Meter
- 02 : 02Meters
- :
- :
- 99 : 99Meters

Note:

- * ∅ Important Dimension To Check.
- * Working Voltage Rating: AC 300V
- * Working Current Rating: 5A
- * Waterproof Rate: IP68(Mated)
- △B (In 1 meter water within 24 hours)
- * Housing: Nylon+GF, Black
- * Female Pin: Copper Alloy, Gold Plated
- * Cable: UL21388 20AWG*8C+AL/PET Tape
Black ,PVC Jacket UV Resistant, OD=7.2
- * Cable Length Tolerance: 01M:±40mm
02M~05M:±60mm
06M~10M:±100mm
11M~30M:±200mm
31M~99M:±500mm

UNIT:mm	
TOLERANCE	±0.5

TITLE X Lok C-Size Cable 8 Pin 5A M Conn. F Pin			
SCALE 1:1	SIZE A4	SHEET 1 OF 1	
REV. C	WC-REV. A.2	∅∅: Inspection item	

Amphenol LTW
安費諾亮泰企業股份有限公司

ITEM NO	DRAWN BY Spring	DATE 2015-12-01
DWG NO CD-08AMFM-QL8DXX	CHECKED BY Fisher	DATE 2015-12-01
CUSTOMER ALTW	APPROVED BY Kevin	DATE 2015-12-01