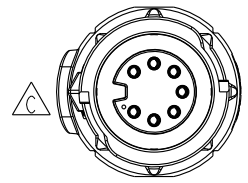
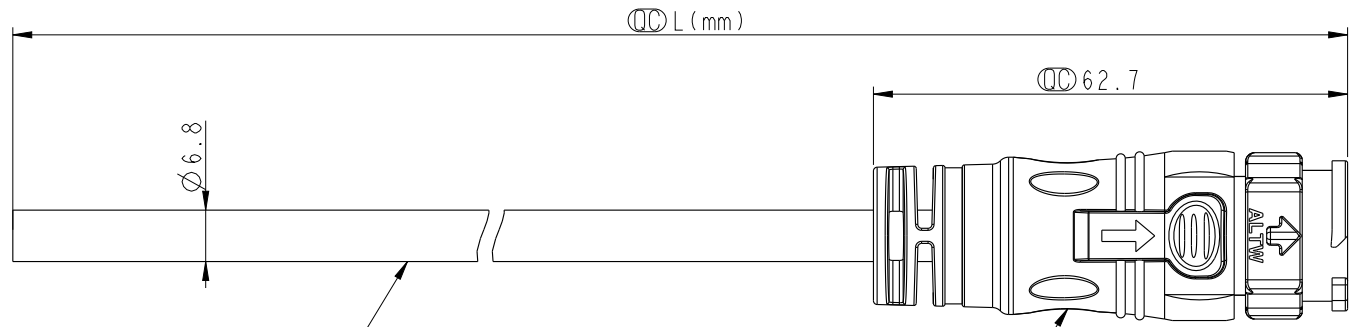


THIS DOCUMENT IS SUBJECT TO CHANGE WITHOUT NOTICE. IT IS CONFIDENTIAL AND A PROPERTY OF AMPHENOL LTW. DISCLOSURE TO THIRD PARTY HAS TO BE AUTHORIZED BY AMPHENOL LTW.

REV.	ECN NO.	DATE	SIGN	DESCRIPTION
B	LEN15C0089	2015-12-01	Spring	update the pin out
C	CI92040	2019-11-24	Peng	△C XI

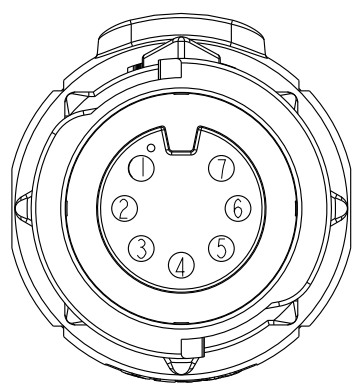


CD-07AMFM-QL8W00
Color: Black

- Note:
- * Ⓞ Important Dimension To Check.
 - * Working Voltage Rating: AC 300V
 - * Working Current Rating: 5A
 - * Waterproof Rate: IP68(Mated)
 - △B (in 1 meter water within 24 hours)
 - * Housing: Nylon+GF, Black
 - * Female Pin: Copper Alloy, Gold Plated
 - * Cable: UL21388 20AWG*7C+AL/PET Tape Black ,PVC Jacket UV Resistant, OD=6.8
 - * Cable Length Tolerance: 01M:±40mm
02M~05M:±60mm
06M~10M:±100mm
11M~30M:±200mm
31M~99M:±500mm

CD-07AMFM-QL8DXX

XX : 01~99Meters
01 : 01Meter
02 : 02Meters
:
:
99 : 99Meters



7	Orange	橙	△B
6	Blue	藍	
5	Green	綠	
4	Yellow	黃	
3	Black	黑	
2	Red	紅	
1	Brown	棕	
Conn.	Wire Color		△B
Pin Out			

Pin Assignments
Front View

UNIT:mm

TOLERANCE ±0.5

TITLE X Lok C-Size Cable 7 Pin 5A M Conn. F Pin			
SCALE 1:1	SIZE A4	SHEET 1 OF 1	
REV. C	WC-REV. A.2	Ⓞ: Inspection item	

Amphenol LTW
安費諾亮泰企業股份有限公司

ITEM NO	DRAWN BY Spring	DATE 2015-12-01
DWG NO CD-07AMFM-QL8DXX	CHECKED BY Fisher	DATE 2015-12-01
CUSTOMER ALTW	APPROVED BY Kevin	DATE 2015-12-01