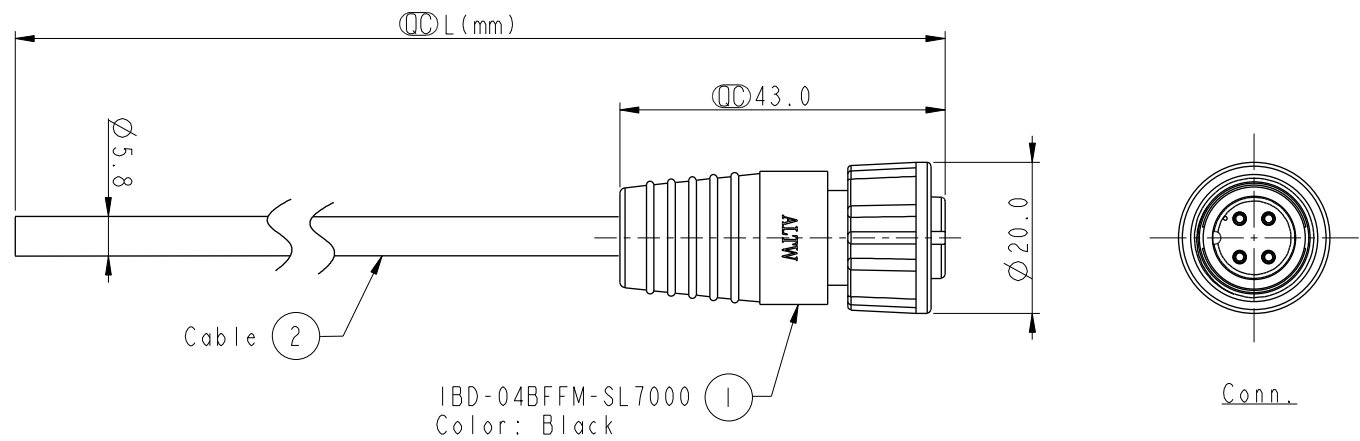
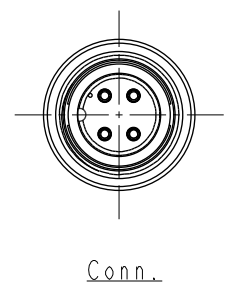


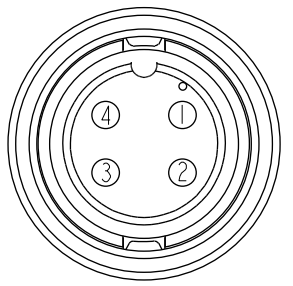
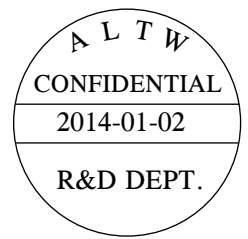
1	2	3	4	5	6	7	8
REV.	ECN NO.	DATE	SIGN	DESCRIPTION			



IBD-04BFFM-SL7000  
Color: Black



Conn.



Pin Assignments  
Front View

4	Yellow	黃
3	Red	紅
2	Green	綠
1	White	白
Conn.	Wire Color	
Pin Out		

IBD-04BFFM-SL7AXX

- ↑
- XX :01~99Meters
- 01 :01Meter
- 02 :02Meters
- ...
- 99 :99Meters

Cable Length(L):01~99Meters

- Note:
- \*  $\varnothing$  Important Dimension To Check
  - \* Waterproof Rate: IP67
  - \* Housing: Nylon+GF, Black
  - \* Female Pin: Copper Alloy, Gold Plated
  - \* Screw Nut: Nylon+GF, Black
  - \* O-Ring: Silicon, Gray
  - \* Cable: UL2464 24AWG\*4C+D+AL/My  
PVC Jacket UV Resistant, OD=5.8, Black
  - \* Cable Length Tolerance: 01M: ±40mm  
02M~05M: ±60mm  
06M~10M: ±100mm  
11M~30M: ±200mm  
31M~99M: ±500mm

UNIT:mm	
TOLERANCE	± 0.5 mm

TITLE STANDARD CNC PIN CABLE SCREW 4PIN F CONN F PIN			
SCALE 1:1	SIZE A4	SHEET 1 OF 1	
REV. A	WC-REV. A.1	$\varnothing$ : Inspection item	

**Amphenol LTW**  
安費諾亮泰企業股份有限公司

ITEM NO	DRAWN BY Ruru	DATE 2014-01-02
DWG NO IBD-04BFFM-SL7AXX	CHECKED BY Tony	DATE 2014-01-02
CUSTOMER ALTW	APPROVED BY Victor	DATE 2014-01-02

THIS DOCUMENT IS SUBJECT TO CHANGE WITHOUT NOTICE. IT IS CONFIDENTIAL AND A PROPERTY OF Amphenol LTW. DISCLOSURE TO THIRD PARTY HAS TO BE AUTHORIZED BY Amphenol LTW.