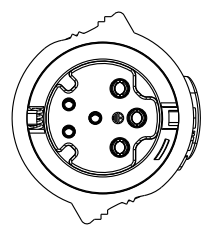
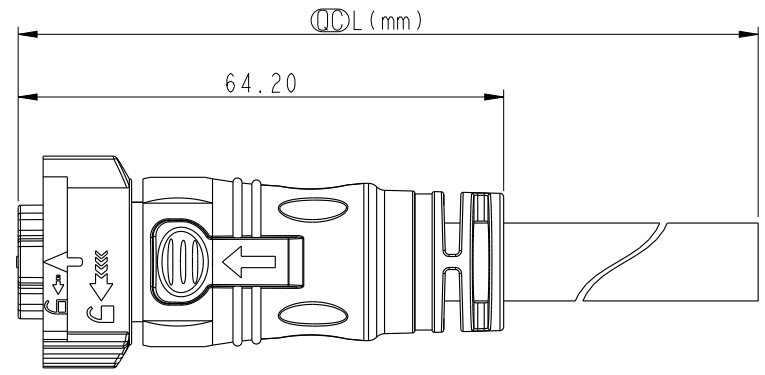


REV.	ECN NO.	DATE	SIGN	DESCRIPTION

THIS DOCUMENT IS SUBJECT TO CHANGE WITHOUT NOTICE. IT IS CONFIDENTIAL AND A PROPERTY OF AMPHENOL LTW. DISCLOSURE TO THIRD PARTY HAS TO BE AUTHORIZED BY AMPHENOL LTW.



Conn.

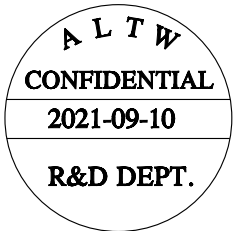


⌀L (mm)

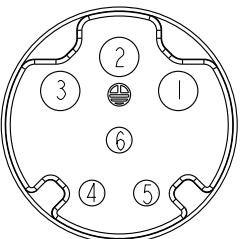
64.20

CBD-06AFFM-QL8FXX

- XX : 01~99Meters
- 01 : 01Meter
- 02 : 02Meters
- :
- :
- 99 : 99Meters



- Note:
- \* ⌀ Important Dimension .
  - \* Waterproof Rate: IPX8, Mated 1m/24h.
  - \* Conn:
    - Housing: Thermoplastic, Black
    - Pin: Copper Alloy, Gold Plated
    - Nut: Thermoplastic, Black
    - Outer Mold: Thermoplastic, Black
  - \* Cable: 26#\*1P+16#\*3C+AL/MY+D
    - PVC Jacket, OD=10.3mm, Black.
  - \* Cable Length Tolerance: 01M: +60/-0mm
    - 02M~03M: +120/-0mm
    - 03M~05M: +160/-0mm
    - 05M~10M: ±100mm
    - 10M~20M: ±200mm
    - 20M~30M: ±300mm
    - 30M~100M: ±500mm



Conn.  
Pin Assignments  
Front View

6	Drain	地線
5	Blue (26AWG)	藍
4	Red (26AWG)	紅
3	Black (16AWG)	黑
2	Green (16AWG)	綠
1	White (16AWG)	白
Conn	Wire Color	
Pin Out		

Twist  
對線

UNIT:mm		
TOLERANCE	±0.5	

TITLE XLOK, C-10A+5A, 06P, CABLE W/SR F, F, MOLDING, PUSH LOCK			
SCALE 1:1	SIZE A4	SHEET 1 OF 1	
REV. A	WC-REV. .0	⌀: Inspection item	

**Amphenol LTW**  
安費諾亮泰企業股份有限公司

ITEM NO	DRAWN BY Fu	DATE 2021-08-05
DWG NO CBD-06AFFM-QL8FXX	CHECKED BY Feng li	DATE 2021-08-05
CUSTOMER ALTW	APPROVED BY Jerry	DATE 2021-08-05