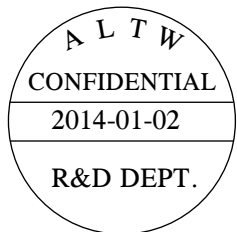
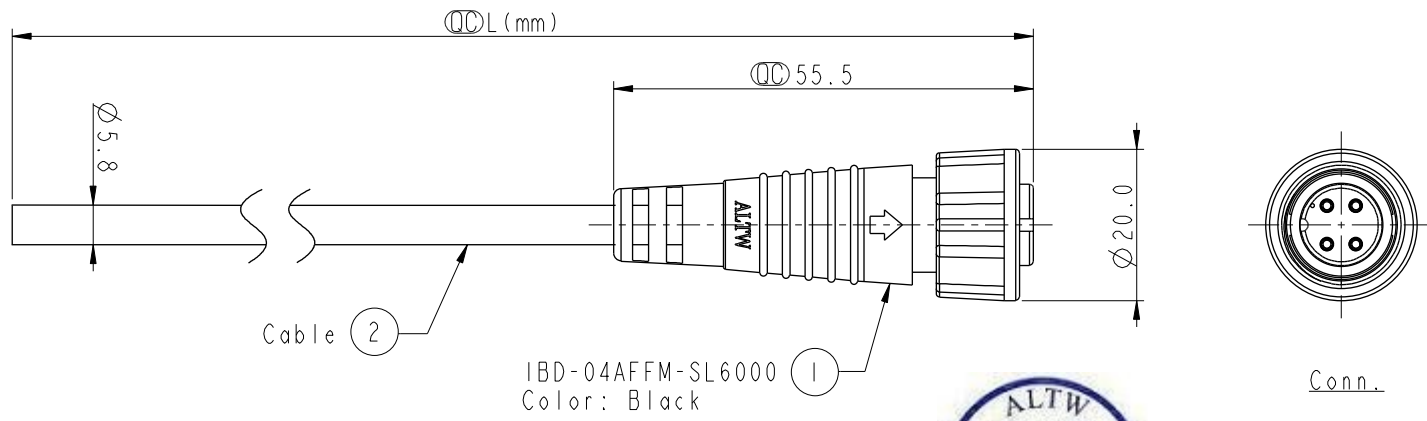


THIS DOCUMENT IS SUBJECT TO CHANGE WITHOUT NOTICE. IT IS CONFIDENTIAL AND A PROPERTY OF Amphenol LTW. DISCLOSURE TO THIRD PARTY HAS TO BE AUTHORIZED BY Amphenol LTW.

REV.	ECN NO.	DATE	SIGN	DESCRIPTION

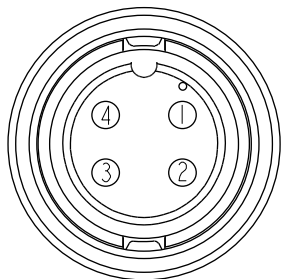


IBD-04AFFM-SL6AXX

XX : 01~99Meters
 01 : 01Meter
 02 : 02Meters
 ...
 99 : 99Meters

Cable Length(L): 01~99Meters

- Note:
- * ϕ Important Dimension To Check
 - * Waterproof Rate: IP66
 - * Housing: Nylon+GF, Black
 - * Female Pin: Copper Alloy, Gold Plated
 - * Screw Nut: Nylon+GF, Black
 - * O-Ring: Silicon, Gray
 - * Cable: UL2464 24AWG*4C+D+AL/My
 PVC Jacket UV Resistant, OD=5.8, Black
 - * Cable Length Tolerance: 01M: $\pm 40mm$
 02M~05M: $\pm 60mm$
 06M~10M: $\pm 100mm$
 11M~30M: $\pm 200mm$
 31M~99M: $\pm 500mm$



Pin Assignments
Front View

4	Yellow	黃
3	Red	紅
2	Green	綠
1	White	白
Conn.	Wire Color	
Pin Out		

UNIT:mm		
TOLERANCE	$\pm 0.5 mm$	

TITLE STANDARD CNC PIN CABLE SCREW 4PIN F CONN F PIN			
SCALE 1:1	SIZE A4	SHEET 1 OF 1	
REV. A	WC-REV. A.1	ϕ : Inspection item	

Amphenol LTW
安費諾亮泰企業股份有限公司

ITEM NO	DRAWN BY Ruru	DATE 2014-01-02
DWG NO IBD-04AFFM-SL6AXX	CHECKED BY Tony	DATE 2014-01-02
CUSTOMER ALTW	APPROVED BY Victor	DATE 2014-01-02