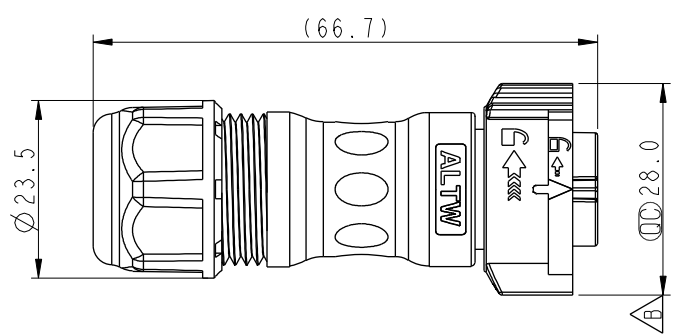
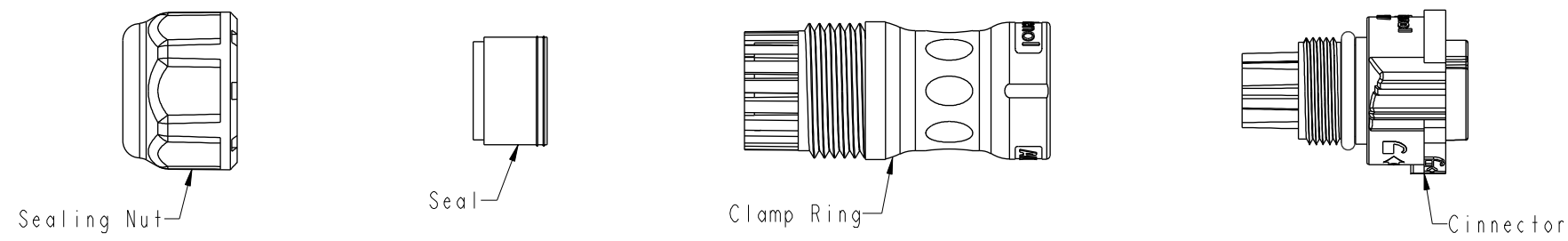


THIS DOCUMENT IS SUBJECT TO CHANGE WITHOUT NOTICE. IT IS CONFIDENTIAL AND A PROPERTY OF Amphenol LTW. DISCLOSURE TO THIRD PARTY HAS TO BE AUTHORIZED BY Amphenol LTW.

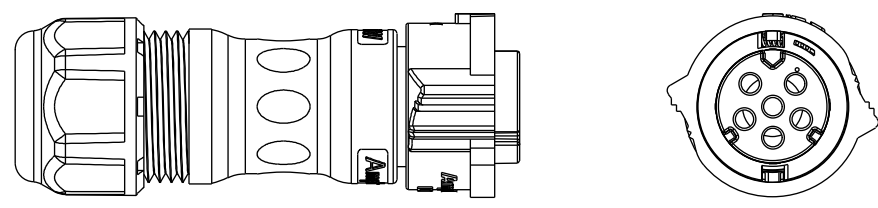
REV.	ECN NO.	DATE	SIGN	DESCRIPTION
B	E191825	2019/11/04	Ruru	$\triangle B$ X4



CB-XXBFFA-QL8XN0

04-4 Pin  
05-5 Pin  
06-6 Pin

S: With Red Color Seal 1, Cable OD 6.0~8.0mm.  
M: With Yellow Color Seal 2, Cable OD 8.0~10.0mm.  
L: With Blue Color Seal 3, Cable OD 10.0~12.0mm.  
A: With Seal 1 & Seal 2 & Seal 3.



Pin Assignments Front View	4 Pin	5 Pin	6 Pin

- $\triangle B$  Note:
- \*  $\varnothing$  Important Dimension
  - \* Waterproof Rate: IP68, Mated  
IP68 : 1M Depth Of Water In 24hours
  - \* Housing: Thermoplastic, Black
  - \* Clamp Ring: Thermoplastic, Black
  - \* Sealing Nut: Thermoplastic, Black
  - \* Seals: Rubber

UNIT:mm		TITLE	XLOK, C-10A, CABLE W/O SR F, F, FI CRIMP, XLOK $\triangle B$		ITEM NO	DRAWN BY	DATE
TOLERANCE	$\pm 0.5$ mm	SCALE	1:1	SIZE	A4	CHECKED BY	DATE
		REV.	B	WC-REV.	A.1	APPROVED BY	DATE
					$\varnothing$ : Inspection item		

# Amphenol LTW

安費諾亮泰企業股份有限公司

DWG NO	CB-XXBFFA-QL8XN0 $\triangle B$	CUSTOMER	ALTW
DATE	2019-11-04	DATE	2019-11-04
DATE	2019-11-04	DATE	2019-11-04