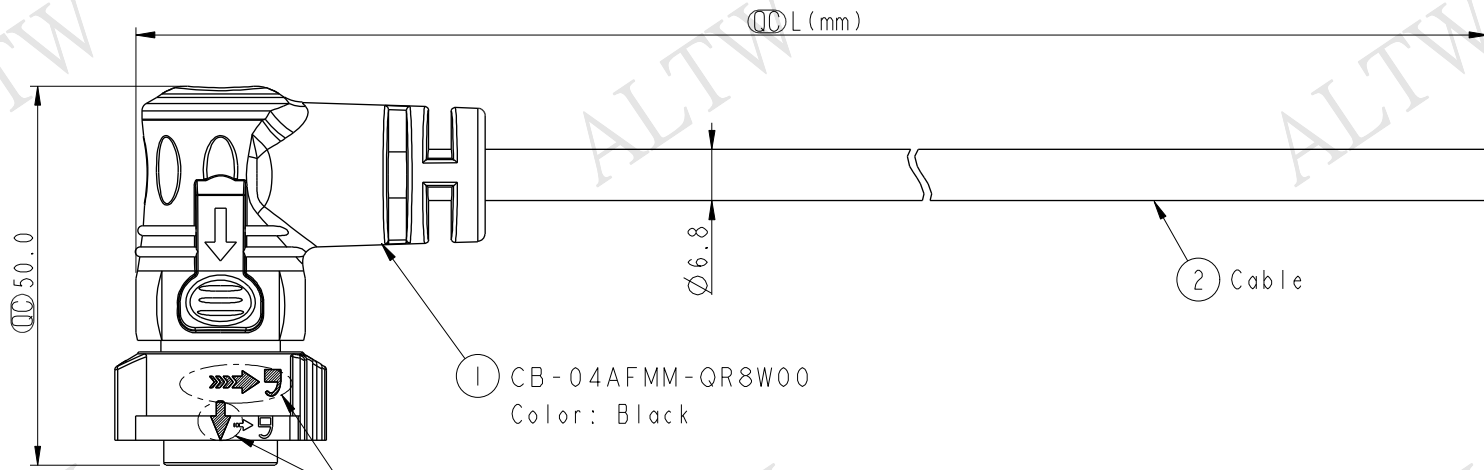


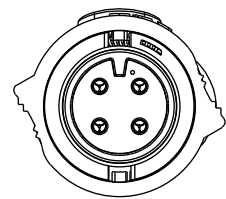
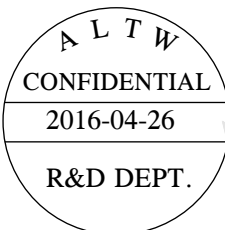
THIS DOCUMENT IS SUBJECT TO CHANGE WITHOUT NOTICE. IT IS CONFIDENTIAL AND A PROPERTY OF AMPHENOL LTW. DISCLOSURE TO THIRD PARTY HAS TO BE AUTHORIZED BY AMPHENOL LTW.

REV.	ECN NO.	DATE	SIGN	DESCRIPTION



① CB-04AFMM-QR8W00  
Color: Black

② White Printing  
白色印刷

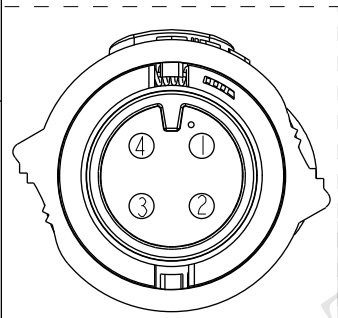


Conn.

CB-04AFMM-QR8DXX

XX : 01~99Meters  
01 : 01Meter  
02 : 02Meters  
:  
:  
99 : 99Meters

- Note:
- \* ② Important Dimension To Check.
  - \* Working Voltage Rating: AC 300 V
  - \* Working Current Rating: 10A
  - \* Waterproof Rate: IP68(Mated).  
(in 1 meter water within 24 hours)
  - \* Housing: Nylon+GF, Black.
  - \* Female Pin: Copper Alloy, Gold Plated
  - \* Cable: UL21388 16AWG\*4C+AL.Mylar,  
PVC Jacket UV Resistant, OD=6.8, Black.
  - \* Cable Length Tolerance: 01M:±40mm  
02M~05M:±60mm  
06M~10M:±100mm  
11M~30M:±200mm  
31M~99M:±500mm

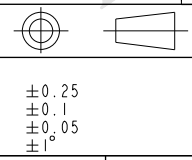


Pin Assignments  
Front View

4	Orange	橙
3	Red	紅
2	Brown	棕
1	Black	黑
Conn.	Wire Color	
	Pin Out	

UNIT:mm

TOLERANCE	
.X	±0.25
.XX	±0.1
.XXX	±0.05
ANGLES	±1°



TITLE X Lok C-Size 90° Cable 4 Pin 10A F Conn. M Pin			
SCALE 1:1	SIZE A4	SHEET 1 OF 1	
REV. A	WC-REV. A.1	②: Inspection item	

**Amphenol LTW**  
安費諾亮泰企業股份有限公司

ITEM NO	DRAWN BY Wes Fan	DATE 2016-04-26
DWG NO CB-04AFMM-QR8DXX	CHECKED BY Spring Liu	DATE 2016-04-26
CUSTOMER ALTW	APPROVED BY Kevin Hu	DATE 2016-04-26