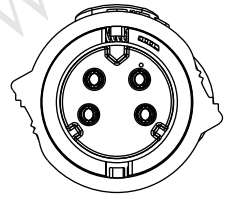
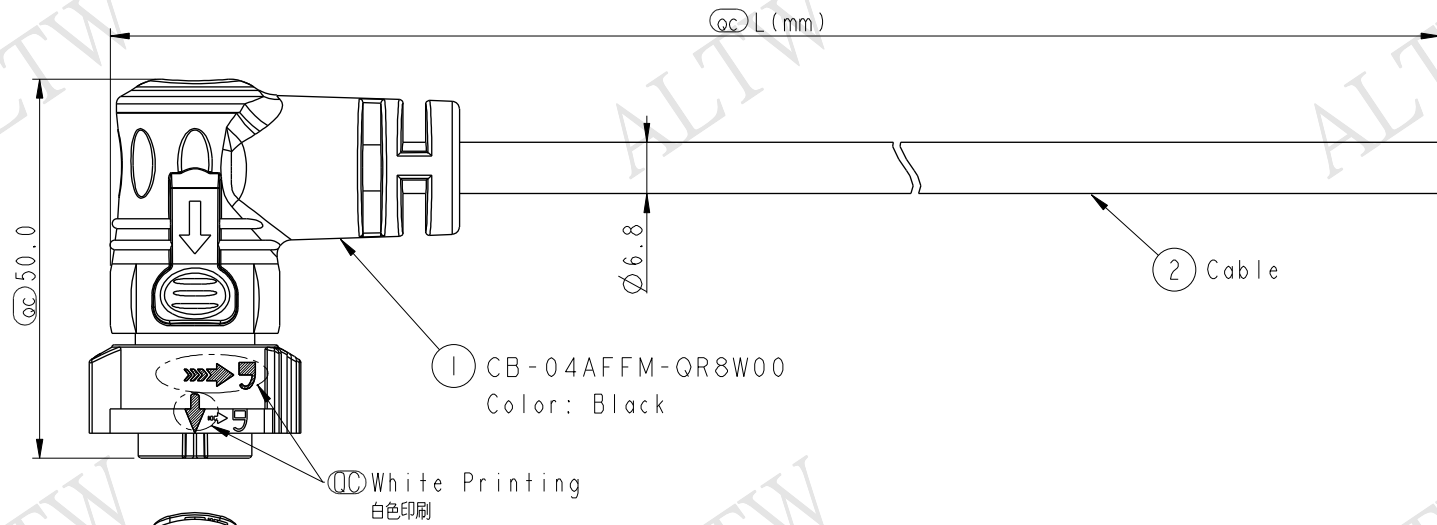
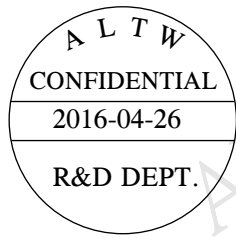
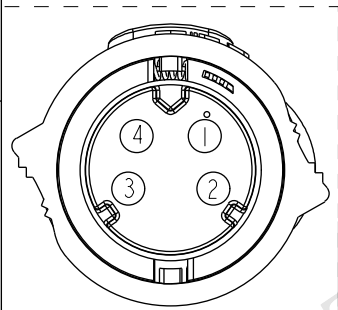


THIS DOCUMENT IS SUBJECT TO CHANGE WITHOUT NOTICE. IT IS CONFIDENTIAL AND A PROPERTY OF Amphenol LTW. DISCLOSURE TO THIRD PARTY HAS TO BE AUTHORIZED BY Amphenol LTW.

| REV. | ECN NO. | DATE | SIGN | DESCRIPTION |
|------|---------|------|------|-------------|
| | | | | |
| | | | | |
| | | | | |



Conn.



Pin Assignments
Front View

| Pin Out | Wire Color | |
|---------|------------|---|
| 4 | Orange | 橙 |
| 3 | Red | 紅 |
| 2 | Brown | 棕 |
| 1 | Black | 黑 |
| Conn. | Wire Color | |

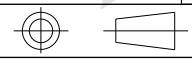
CB-04AFFM-QR8DXX

- XX : 01~99Meters
- 01 : 01Meter
- 02 : 02Meters
-
-
- 99 : 99Meters

- Note:
- * \varnothing Important Dimension To Check.
 - * Working Voltage Rating: AC 300 V
 - * Working Current Rating: 10A
 - * Waterproof Rate: IP68(Mated).
(in 1 meter water within 24 hours)
 - * Housing: Nylon+GF, Black.
 - * Female Pin: Copper Alloy, Gold Plated
 - * Cable: UL21388 16AWG*4C+AL.Mylar,
PVC Jacket UV Resistant, OD=6.8, Black.
 - * Cable Length Tolerance: 01M:±40mm
02M~05M:±60mm
06M~10M:±100mm
11M~30M:±200mm
31M~99M:±500mm

UNIT:mm

| | |
|-----------|-------|
| TOLERANCE | |
| .X | ±0.25 |
| .XX | ±0.1 |
| .XXX | ±0.05 |
| ANGLES | ±1° |



| | | | |
|--|----------------|---------------------------------|--|
| TITLE X Lok C-Size 90° Cable 4 Pin 10A F Conn. F Pin | | | |
| SCALE 1:1 | SIZE A4 | SHEET 1 OF 1 | |
| REV. A | WC-REV. A.1 | \varnothing : Inspection item | |

Amphenol LTW
安費諾亮泰企業股份有限公司

| | | |
|----------------------------|--------------------------|--------------------|
| ITEM NO | DRAWN BY Wes Fan | DATE 2016-04-26 |
| DWG NO CB-04AFFM-QR8DXX | CHECKED BY Spring Liu | DATE 2016-04-26 |
| CUSTOMER ALTW | APPROVED BY Kevin Hu | DATE 2016-04-26 |