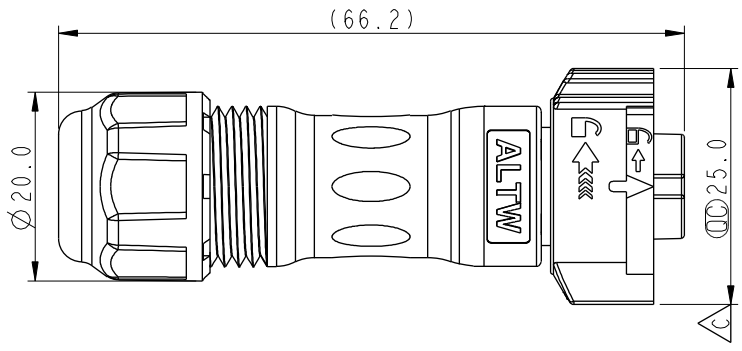
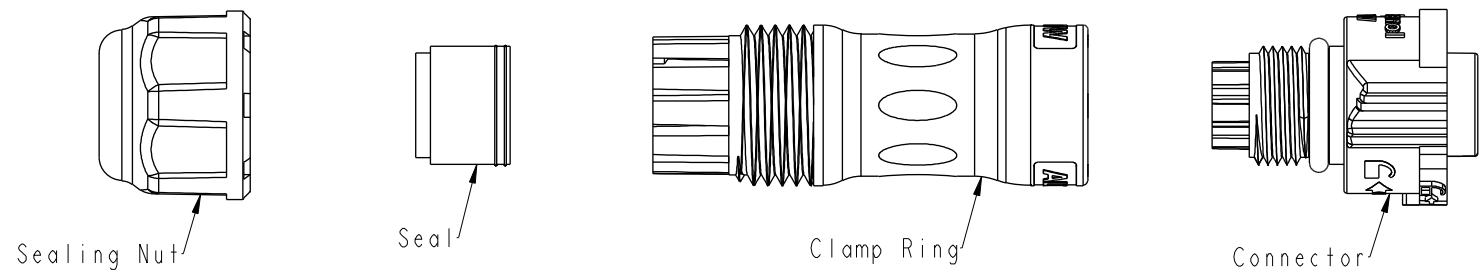


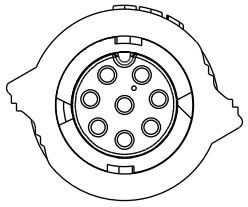
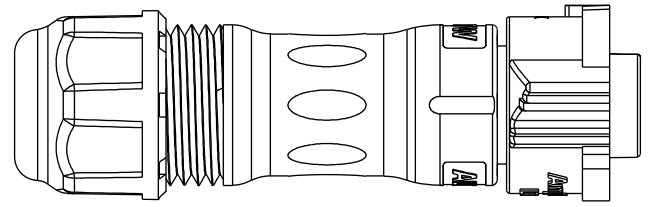
THIS DOCUMENT IS SUBJECT TO CHANGE WITHOUT NOTICE. IT IS CONFIDENTIAL AND A PROPERTY OF Amphenol LTW. DISCLOSURE TO THIRD PARTY HAS TO BE AUTHORIZED BY Amphenol LTW.

REV.	ECN NO.	DATE	SIGN	DESCRIPTION
A		2016/11/23	Victor Hung	Change Rev.01 To Rev.A
B	CI91299	2019/07/26	Jane	Update Ordering Information
C	CI92023	2019/11/20	Vicky	△C X4



- BD-XXBFFA-QL8XN0
- 02-2Pin
  - 03-3Pin
  - 04-4Pin
  - 05-5Pin
  - 06-6Pin
  - 07-7Pin
  - 08-8Pin

- S: With Red Color Seal 1, Cable OD 5.0~6.0mm.
- M: With Yellow Color Seal 2, Cable OD 6.0~8.0mm.
- L: With Blue Color Seal 3, Cable OD 8.0~10.0mm.
- A: With Seal 1 & Seal 2 & Seal 3.



- △C Note:
- \* ∅ Important Dimension
  - \* Waterproof Rate: IP68, Mated  
IP68: 1M Depth Of Water In 24hours
  - \* Housing: Thermoplastic, Black
  - \* Clamp Ring: Thermoplastic, Black
  - \* Sealing Nut: Thermoplastic, Black
  - \* Seals: Rubber

Pin Assignments Front View	2 Pin	3 Pin	4 Pin	5 Pin	6 Pin	7 Pin	8 Pin

A	UNIT:mm		TITLE XLOK, B-5A, CABLE W/O SR F, F, FI CRIMP, XLOK			<h2>Amphenol LTW</h2> <p>安費諾亮泰企業股份有限公司</p>		ITEM NO	DRAWN BY	DATE	
	TOLERANCE		SCALE 1:1	SIZE A4		SHEET 1 OF 1	DWG NO	CHECKED BY	DATE	Jane	2019-07-26
	±0.5mm		REV. C	WC-REV. A.5		QC: Inspection item	BD-XXBFFA-QL8XN0	Brady	2019-07-26	Neo	2019-07-26
					CUSTOMER	APPROVED BY	DATE	ALTW			