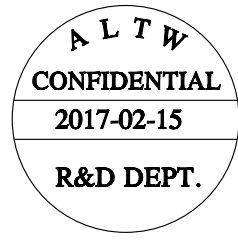
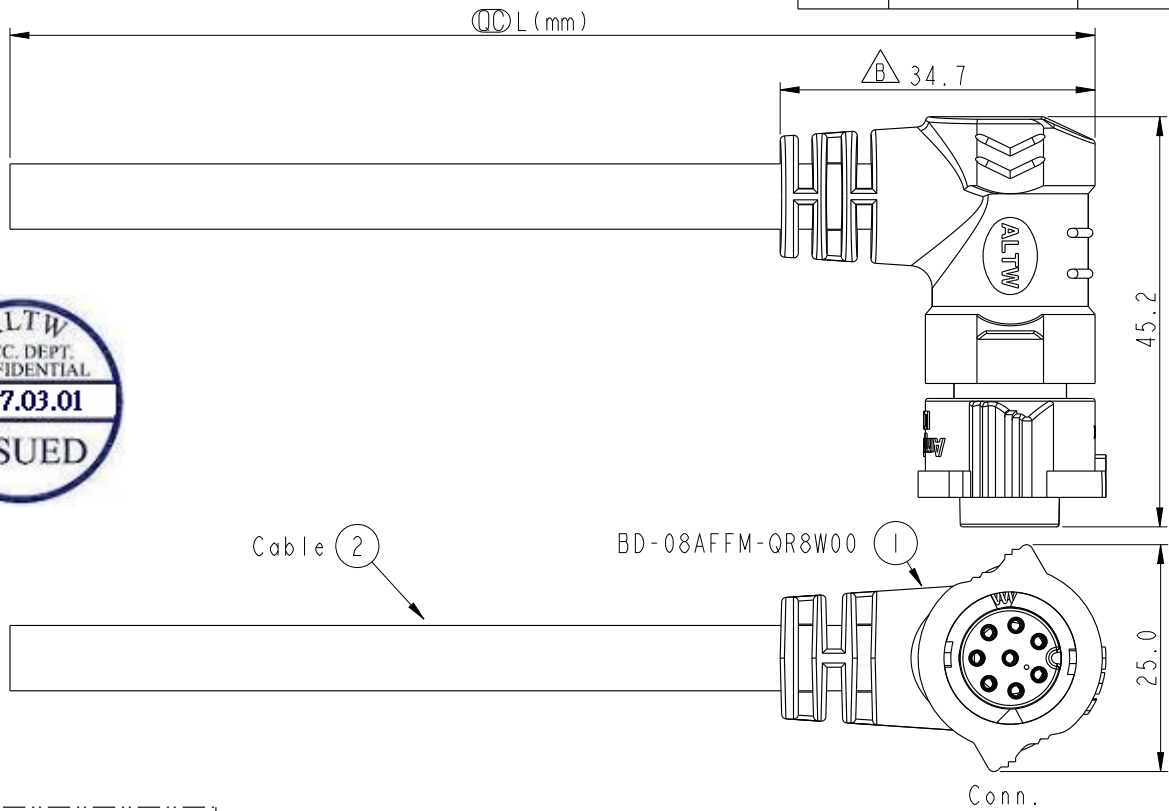


THIS DOCUMENT IS SUBJECT TO CHANGE WITHOUT NOTICE. IT IS CONFIDENTIAL AND A PROPERTY OF Amphenol LTW. DISCLOSURE TO THIRD PARTY HAS TO BE AUTHORIZED BY Amphenol LTW.

| | | | | |
|------|------------|------------|------------|------------------------------------|
| REV. | ECN NO. | DATE | SIGN | DESCRIPTION |
| B | LEN1720245 | 2017-02-15 | Frank Deng | Change dimension from 34.0 to 34.7 |



Cable ②

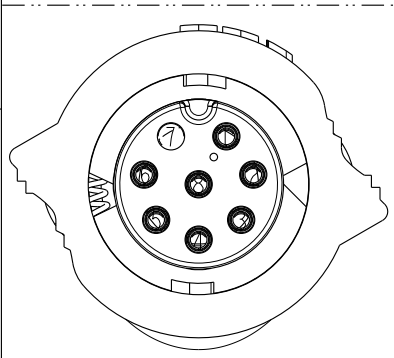
BD-08AFFM-QR8W00

①

Conn.

BD-08AFFM-QR8DXX

XX :01~99Meters
 01 :01Meter
 02 :02Meters
 :
 :
 :
 99 :99Meters



Pin Assignments Front View

| | | |
|-------|------------|---|
| 8 | Purple | 紫 |
| 7 | Blue | 藍 |
| 6 | Green | 綠 |
| 5 | Yellow | 黃 |
| 4 | Orange | 橙 |
| 3 | Red | 紅 |
| 2 | Brown | 棕 |
| 1 | Black | 黑 |
| Conn. | Wire Color | |
| | Pin Out | |

- Note:
- * ① Important Dimension To Check.
 - * Waterproof Rate: IP68(Mated)
 - * Working Voltage Rating: AC 300 V
 - * Working Current Rating: 5A
 - * Flame Class: UL94V-0 (UV Resistance)
 - * Housing: Nylon+GF, Black.
 - * Female Pin: Copper Alloy, Gold Plated.
 - * Rubber: Silicon, Gray
 - * Cable: UL21388 20AWG*8C+AL+My PVC Jacket UV Resistant, OD=7.2, Black.
 - * Cable Length Tolerance: 01M:±40mm
 02M~05M:±60mm
 06M~10M:±100mm
 11M~30M:±200mm
 31M~99M:±500mm

| | | |
|-------------|------|--|
| UNIT:mm | | |
| TOLERANCE X | ±0.5 | |

| | | | |
|--|----------------|--------------------|--|
| TITLE X-Lok B-Size Molding F Conn F 8 Pin | | | |
| SCALE 6:5 | SIZE A4 | SHEET 1 OF 1 | |
| REV. B | WC-REV. A.1 | ①: Inspection item | |

Amphenol LTW
 安費諾亮泰企業股份有限公司

| | | |
|----------------------------|--------------------------|--------------------|
| ITEM NO | DRAWN BY Frank Deng | DATE 2017-02-15 |
| DWG NO BD-08AFFM-QR8DXX | CHECKED BY Spring Liu | DATE 2017-02-15 |
| CUSTOMER ALTW | APPROVED BY Kevin Hu | DATE 2017-02-15 |