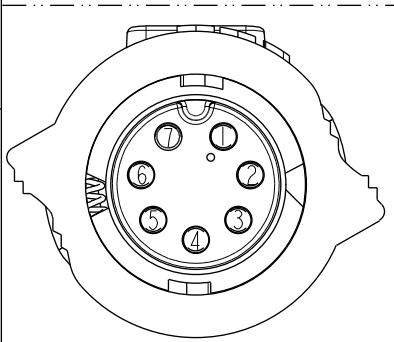
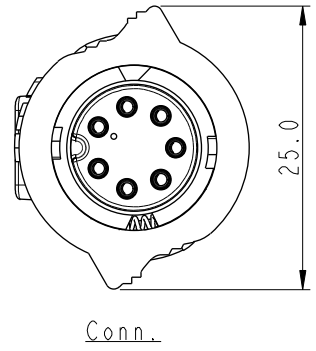
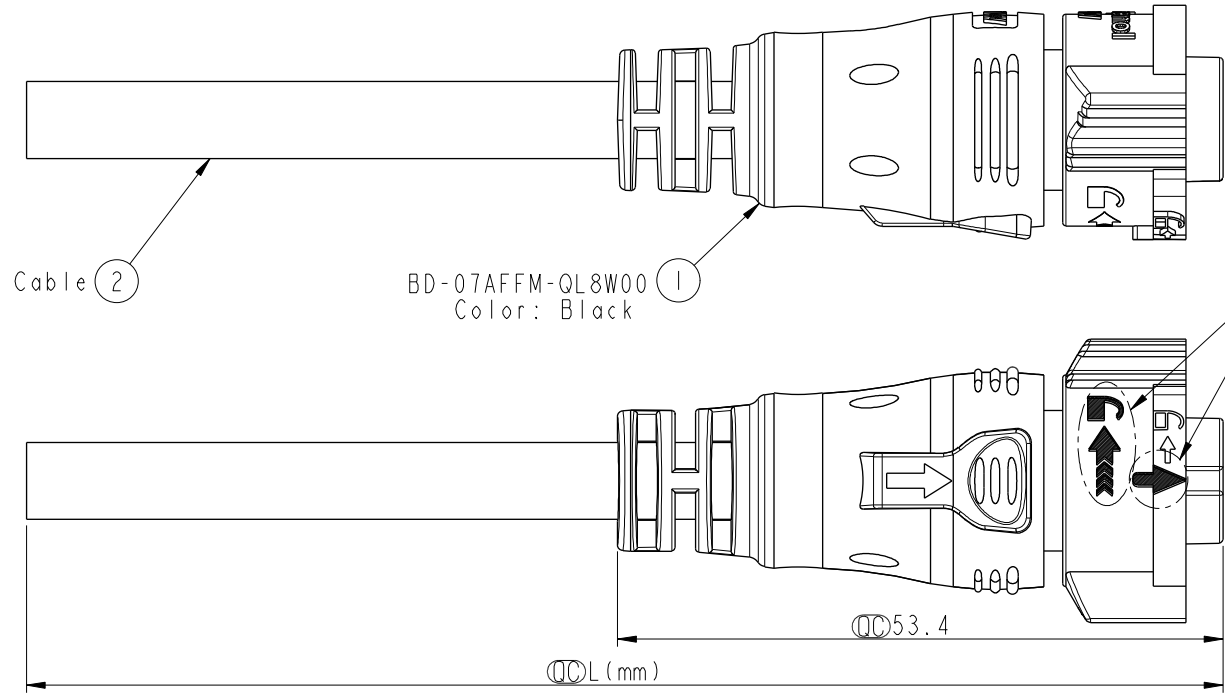
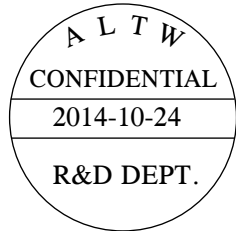


REV.	ECN NO.	DATE	SIGN	DESCRIPTION



Pin Assignments Front View

7	Blue	藍
6	Green	綠
5	Yellow	黃
4	Orange	橙
3	Red	紅
2	Brown	棕
1	Black	黑
Conn.	Wire Color	Pin Out

BD-07AFFM-QL8DXX

↑  
 XX : 01~99Meters  
 01 : 01Meter  
 02 : 02Meters  
 :  
 :  
 :  
 99 : 99Meters

- Note:
- \* (QC) Important Dimension To Check.
  - \* Waterproof Rate: IP68(Mated)
  - \* Working Voltage Rating: AC 300 V
  - \* Working Current Rating: 5A
  - \* Flame Class: UL94V-0 (UV Resistance)
  - \* Housing: Nylon+GF, Black.
  - \* Female Pin: Copper Alloy, Gold Plated.
  - \* Rubber: Silicon, Gray
  - \* Cable: UL21388 20AWG\*7C+AL+My  
PVC Jacket UV Resistant, OD=6.8, Black.
  - \* Cable Length Tolerance: 01M:±40mm  
02M~05M:±60mm  
06M~10M:±100mm  
11M~30M:±200mm  
31M~99M:±500mm

UNIT:mm		
TOLERANCE .X	±0.5	

TITLE X-Lok B-Size Molding F Conn F 7 Pin			
SCALE 3:2	SIZE A4	SHEET 1 OF 1	
REV. A	WC-REV. A.1	(QC): Inspection item	

**Amphenol LTW**  
 安費諾亮泰企業股份有限公司

ITEM NO	DRAWN BY Micky	DATE 2014-10-24
DWG NO BD-07AFFM-QL8DXX	CHECKED BY Spring	DATE 2014-10-24
CUSTOMER ALTW	APPROVED BY Kevin	DATE 2014-10-24

THIS DOCUMENT IS SUBJECT TO CHANGE WITHOUT NOTICE. IT IS CONFIDENTIAL AND A PROPERTY OF Amphenol LTW. DISCLOSURE TO THIRD PARTY HAS TO BE AUTHORIZED BY Amphenol LTW.