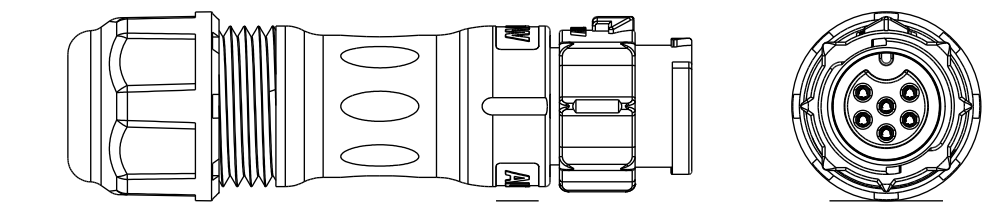
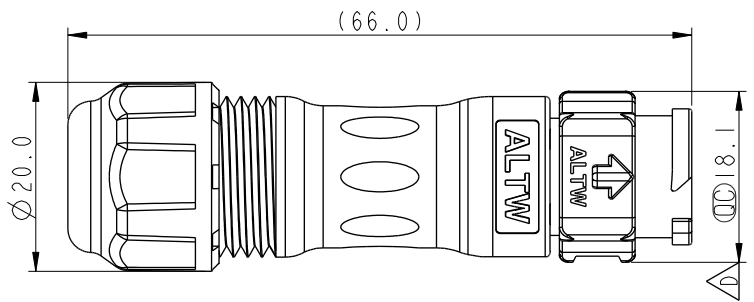
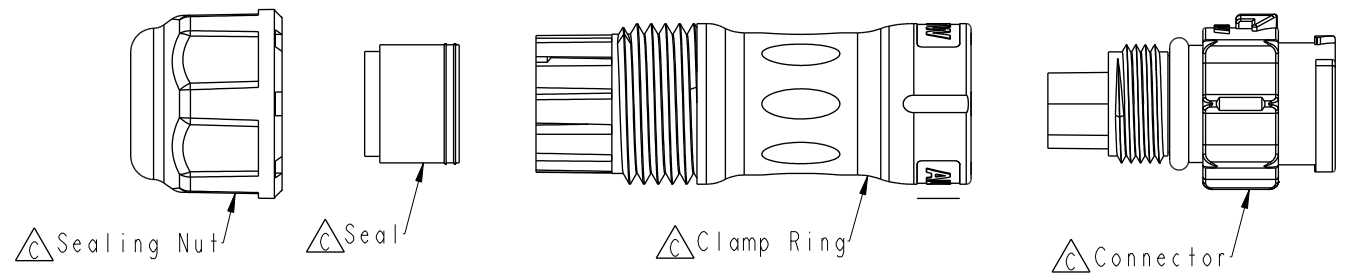


THIS DOCUMENT IS SUBJECT TO CHANGE WITHOUT NOTICE. IT IS CONFIDENTIAL AND A PROPERTY OF AMPHENOL LTW. DISCLOSURE TO THIRD PARTY HAS TO BE AUTHORIZED BY AMPHENOL LTW.

REV.	ECN NO.	DATE	SIGN	DESCRIPTION
C	C191760	2019/10/15	Jane	△C X5
D	C192023	2019/11/20	Vicky	△D X4
E	C200590	2020/05/05	Victor Hung	△E X2



BD-XXBMFA-QL8XP0

02-2Pin
03-3Pin
04-4Pin
05-5Pin
06-6Pin

△C S: With Red Color Seal 1, Cable OD 5.0~6.0mm.
M: With Yellow Color Seal 2, Cable OD 6.0~8.0mm.
L: With Blue Color Seal 3, Cable OD 8.0~10.0mm.
A: With Seal 1 & Seal 2 & Seal 3.

Pin Assignments Front View	2 Pin	3 Pin	4 Pin	5 Pin	6 Pin

△D Note:

- * (DD) Important Dimension
- * Waterproof Rate: IP68, Mated
- * IP68: 1M Depth Of Water In 24hours
- * Housing: Thermoplastic, Black
- * Pin: Copper Alloy, Gold Plated
- * Clamp Ring: Thermoplastic, Black
- * Sealing Nut: Thermoplastic, Black
- * Seals: Rubber

UNIT:mm		TITLE	XLOK, B-5A, CABLE W/O SR M, F, FI CRIMP, XLOK		ITEM NO	DRAWN BY	DATE
TOLERANCE	±0.5mm	SCALE	1:1	SIZE A4	SHEET 1 OF 1	Victor Hung	2020/05/05
REV.	E	WC-REV.	A.5	(QC): Inspection item	DWG NO	BD-XXBMFA-QL8XP0	2020/05/05
					CUSTOMER	ALTW	2020/05/05
						APPROVED BY	Max Yang

Amphenol LTW
安費諾亮泰企業股份有限公司