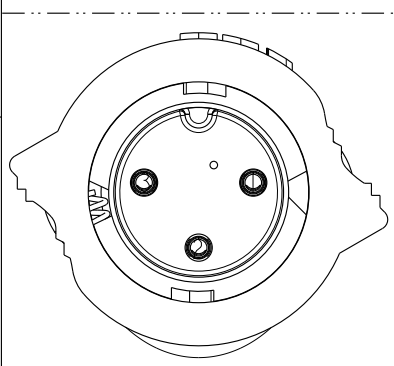
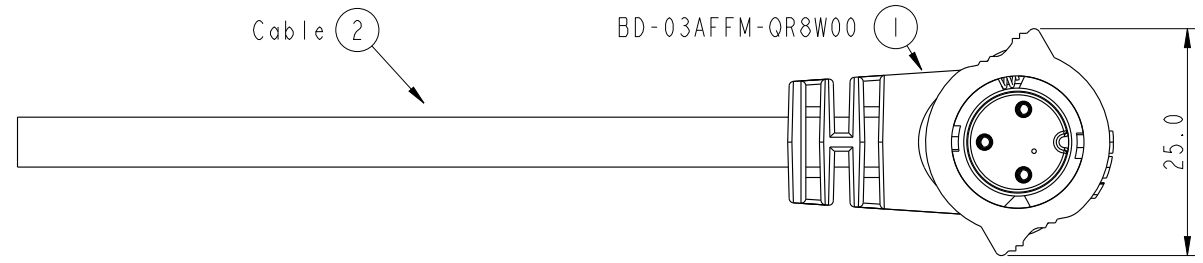
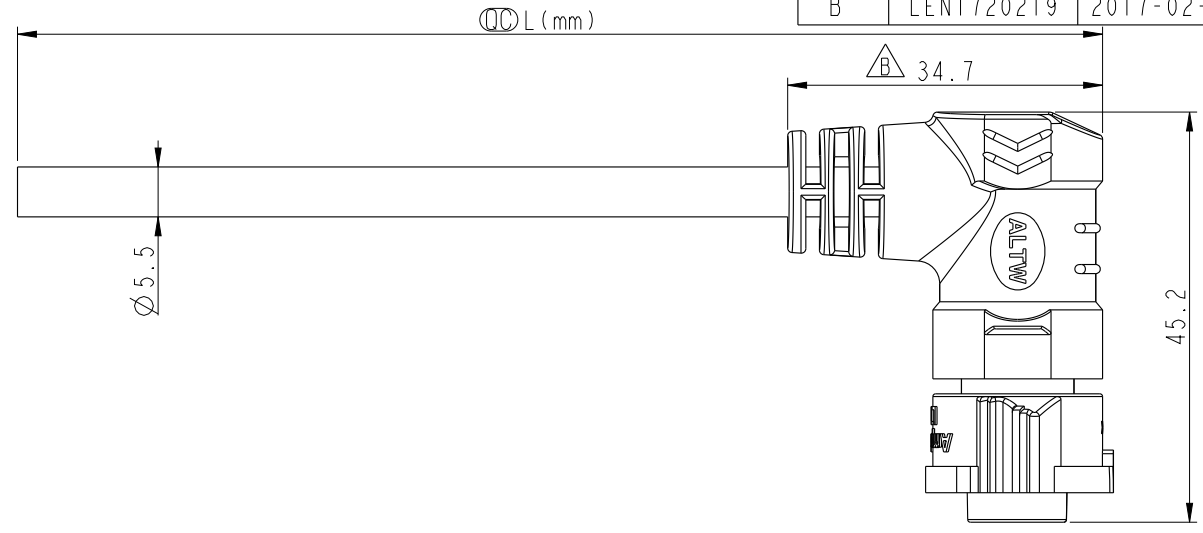


THIS DOCUMENT IS SUBJECT TO CHANGE WITHOUT NOTICE. IT IS CONFIDENTIAL AND A PROPERTY OF AMPHENOL LTW. DISCLOSURE TO THIRD PARTY HAS TO BE AUTHORIZED BY AMPHENOL LTW.

REV.	ECN NO.	DATE	SIGN	DESCRIPTION
B	LEN1720219	2017-02-13	Frank Deng	Change dimension from 34.0 to 34.7



Pin Assignments  
Front View

3	Red	紅
2	Brown	棕
1	Black	黑
Conn.	Wire Color	
	Pin Out	

BD-03AFFM-QR8DXX

- XX :01~99Meters
- 01 :01Meter
- 02 :02Meters
- ...
- 99 :99Meters

Note:

- \*  $\text{Ⓢ}$  Important Dimension To Check.
- \* Waterproof Rate: IP68(Mated)
- \* Working Voltage Rating: AC 300 V
- \* Working Current Rating: 5A
- \* Flame Class: UL94V-0 (UV Resistance)
- \* Housing: Nylon+GF, Black.
- \* Female Pin: Copper Alloy, Gold Plated.
- \* Rubber: Silicon, Gray
- \* Cable: UL21388 20AWG\*3C+AL+My  
PVC Jacket UV Resistant, OD=5.5, Black.
- \* Cable Length Tolerance: 01M:±40mm  
02M~05M:±60mm  
06M~10M:±100mm  
11M~30M:±200mm  
31M~99M:±500mm

UNIT:mm		
TOLERANCE .X	±0.5	

TITLE X-Lok B-Size Molding F Conn F 3 Pin			
SCALE 6:5	SIZE A4	SHEET 1 OF 1	
REV. B	WC-REV. A.2	$\text{Ⓢ}$ : Inspection item	

**Amphenol LTW**  
安費諾亮泰企業股份有限公司

ITEM NO	DRAWN BY Frank Deng	DATE 2017-02-13
DWG NO BD-03AFFM-QR8DXX	CHECKED BY Spring	DATE 2017-02-13
CUSTOMER ALTW	APPROVED BY Kevin	DATE 2017-02-13