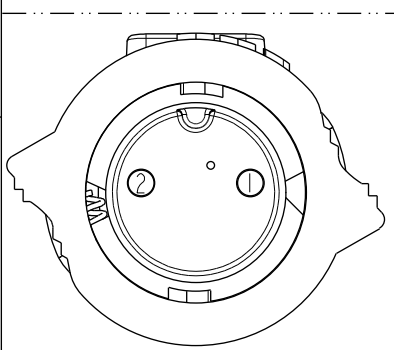
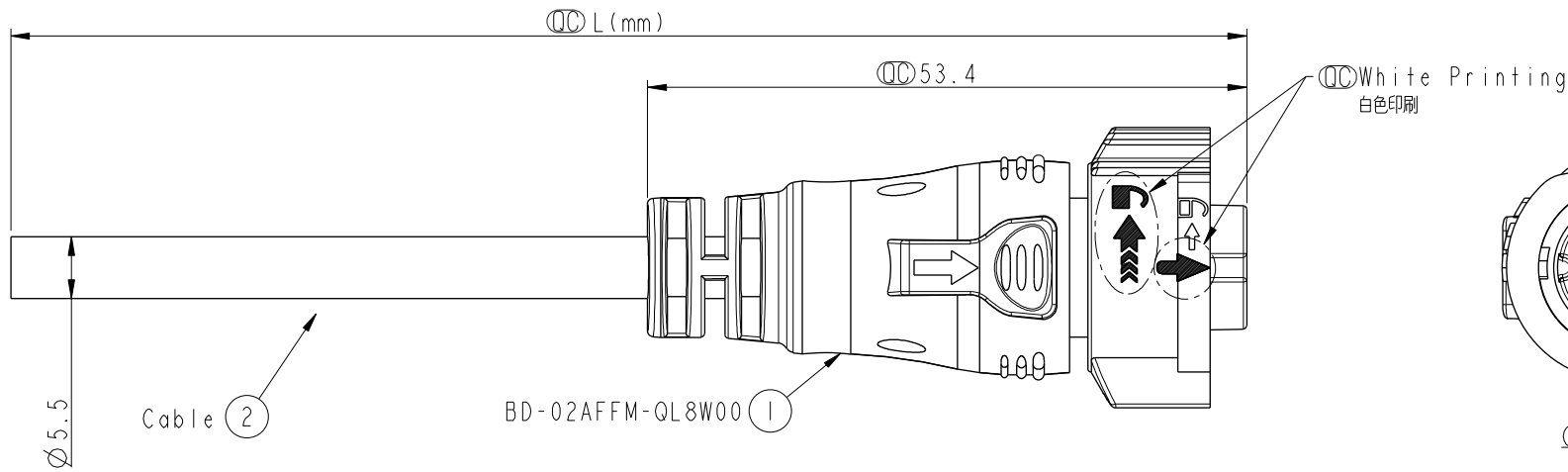
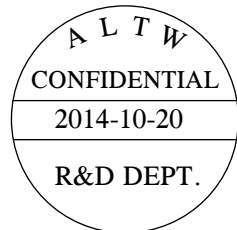




REV.	ECN NO.	DATE	SIGN	DESCRIPTION



Pin Assignments Front View

2	Brown	棕
1	Black	黑
Conn.	Wire Color	
	Pin Out	

BD-02AFFM-QL8D XX
 ↑
 XX : 01~99Meters
 01 : 01Meter
 02 : 02Meters
 :
 :
 99 : 99Meters

- Note:
- * (CC) Important Dimension To Check.
 - * Waterproof Rate: IP67(Mated)
 - * Working Voltage Rating: AC 300 V
 - * Working Current Rating: 5A
 - * Flame Class: UL94V-0 (UV Resistance)
 - * Housing: Nylon+GF, Black.
 - * Female Pin: Copper Alloy, Gold Plated.
 - * Rubber: Silicon, Gray
 - * Cable: UL21388 20AWG*2C+AL+My PVC Jacket UV Resistant, OD=5.5, Black.
 - * Cable Length Tolerance: 01M:±40mm
 02M~05M:±60mm
 06M~10M:±100mm
 11M~30M:±200mm
 31M~99M:±500mm

UNIT:mm TOLERANCE .X ±0.5	TITLE X-Lok B-Size Molding F Conn F 2 Pin			Amphenol LTW 安費諾亮泰企業股份有限公司	ITEM NO	DRAWN BY DEL_Micky	DATE 2014-10-20
	SCALE 3:2	SIZE A4	SHEET 1 OF 1		DWG NO BD-02AFFM-QL8DXX	CHECKED BY Tony	DATE 2014-10-20
	REV. A	WC-REV. A.1	(CC): Inspection item		CUSTOMER ALTW	APPROVED BY Victor	DATE 2014-10-20

THIS DOCUMENT IS SUBJECT TO CHANGE WITHOUT NOTICE. IT IS CONFIDENTIAL AND A PROPERTY OF Amphenol LTW. DISCLOSURE TO THIRD PARTY HAS TO BE AUTHORIZED BY Amphenol LTW.