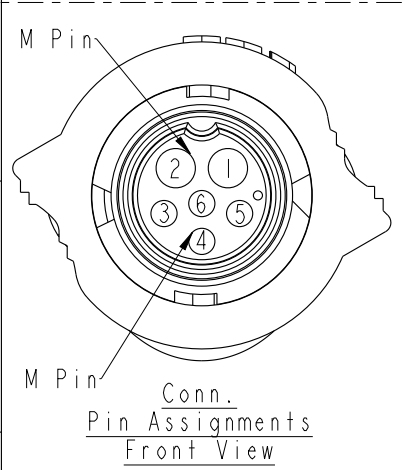
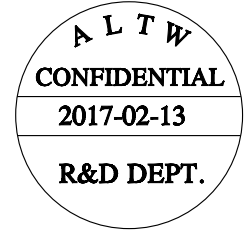
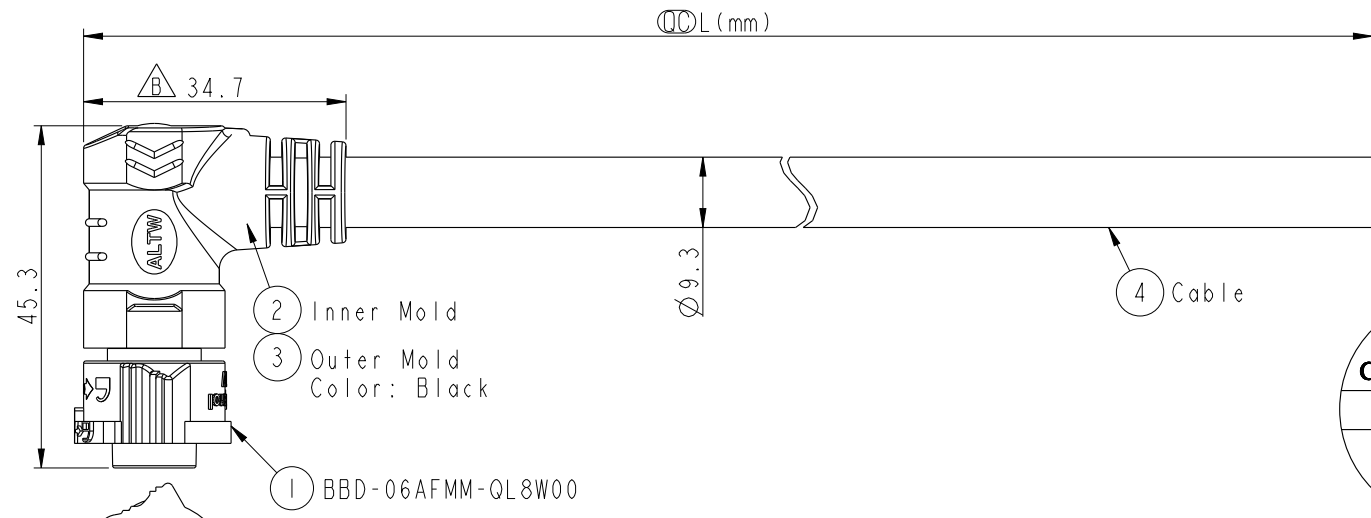


THIS DOCUMENT IS SUBJECT TO CHANGE WITHOUT NOTICE. IT IS CONFIDENTIAL AND A PROPERTY OF AMPHENOL LTW. DISCLOSURE TO THIRD PARTY HAS TO BE AUTHORIZED BY AMPHENOL LTW.

REV.	ECN NO.	DATE	SIGN	DESCRIPTION
A	Initial Release	2016-05-07	Spring Liu	Change Rev.02 To Rev.A
B	LEN1720214	2017-02-13	Frank Deng	Change dimension from 34.6 to 34.7



6	Blue (26AWG)	藍	Twist 對線
5	Red (26AWG)	紅	
4	Green (26AWG)	綠	Twist 對線
3	White (26AWG)	白	
2	Black (16AWG)	黑	
1	White (16AWG)	白	
Conn.	Wire Color		
	Pin Out		

△ BBD-06AFMM-QR8FXX  
 XX: 01~99Meters  
 01: 01Meter  
 02: 01Meters  
 ...  
 99: 99Meters  
 Cable Length(L): 01~99Meters

Note:  
 \*  $\varnothing$  Important Dimension To Check.  
 \* Waterproof Rate: IP68(Mated)  
 In 1 meter water within 24 hours  
 \* Working Voltage Rating:  
 Power: AC/DC 300V  
 Data: DC 30V  
 \* Working Current:  
 Power: 10A  
 Data: 05A  
 \* Housing: Nylon+GF, Black.  
 \* Pin: Copper Alloy, Gold Plated.  
 \* O-Ring: Silicone, Gray.  
 \* Cable: UL21996 16AWG\*2C+(26AWG\*2P+AL/MY)  
 +F+AL/MY, PVC Jacket, OD=9.3, Black.  
 \* Cable Length Tolerance: 01M: ±40mm  
 02M~05M: ±60mm  
 06M~10M: ±100mm  
 11M~30M: ±200mm  
 31M~99M: ±500mm

UNIT: mm TOLERANCE ±0.5mm	TITLE STANDARD, CABLE X-LOK (2+4)PIN F CONN M PIN			Amphenol LTW 安費諾亮泰企業股份有限公司	ITEM NO	DRAWN BY Frank Deng	DATE 2017-02-13
	SCALE 1:1	SIZE A4	SHEET 1 OF 1		DWG NO BBD-06AFMM-QR8FXX	CHECKED BY Spring Liu	DATE 2017-02-13
	REV. B	WC-REV. A.4	$\varnothing$ : Inspection item		CUSTOMER ALTW	APPROVED BY Kevin Hu	DATE 2017-02-13