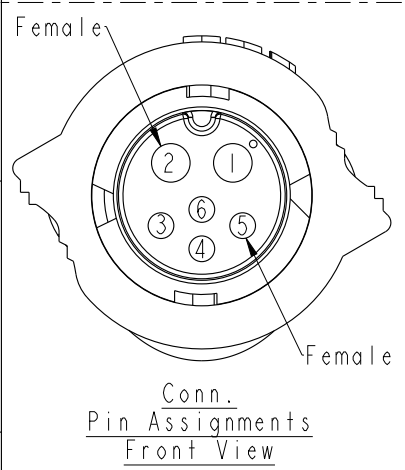
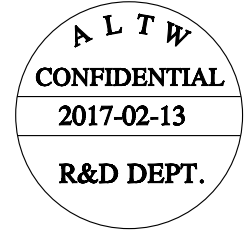
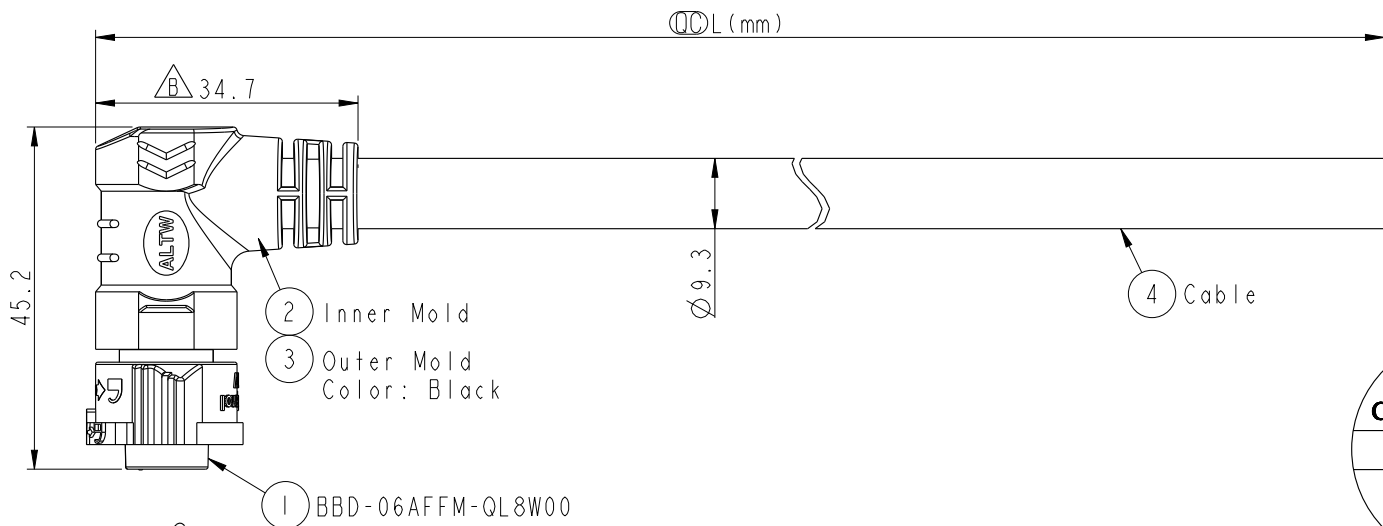


THIS DOCUMENT IS SUBJECT TO CHANGE WITHOUT NOTICE. IT IS CONFIDENTIAL AND A PROPERTY OF AMPHENOL LTW. DISCLOSURE TO THIRD PARTY HAS TO BE AUTHORIZED BY AMPHENOL LTW.

| REV. | ECN NO.         | DATE       | SIGN       | DESCRIPTION                        |
|------|-----------------|------------|------------|------------------------------------|
| A    | Initial Release | 2016-05-07 | Spring Liu | Change Rev.02 To Rev.A             |
| B    | LEN1720213      | 2017-02-13 | Frank Deng | Change dimension from 34.6 to 34.7 |



|       |               |   |             |
|-------|---------------|---|-------------|
| 6     | Blue (26AWG)  | 藍 | Twist<br>對線 |
| 5     | Red (26AWG)   | 紅 |             |
| 4     | Green (26AWG) | 綠 | Twist<br>對線 |
| 3     | White (26AWG) | 白 |             |
| 2     | Black (16AWG) | 黑 |             |
| 1     | White (16AWG) | 白 |             |
| Conn. | Wire Color    |   |             |
|       | Pin Out       |   |             |

△ BBD-06AFFM-QR8FXX

XX: 01~99Meters  
 01: 01Meter  
 02: 01Meters  
 ...  
 99: 99Meters  
 Cable Length(L): 01~99Meters

- Note:
- \*  $\varnothing$  Important Dimension To Check.
  - \* Waterproof Rate: IP68(Mated)  
In 1 meter water within 24 hours
  - \* Working Voltage Rating:  
Power: AC/DC 300V  
Data: DC 30V
  - \* Working Current:  
Power: 10A  
Data: 05A
  - \* Housing: Nylon+GF, Black.
  - \* Pin: Copper Alloy, Gold Plated.
  - \* O-Ring: Silicone, Gray.
  - \* Cable: UL21996 16AWG\*2C+(26AWG\*2P+AL/MY)  
+F+AL/MY, PVC Jacket, OD=9.3, Black.
  - \* Cable Length Tolerance: 01M: ±40mm  
02M~05M: ±60mm  
06M~10M: ±100mm  
11M~30M: ±200mm  
31M~99M: ±500mm

|           |        |  |
|-----------|--------|--|
| UNIT: mm  |        |  |
| TOLERANCE | ±0.5mm |  |

|   |                |                                 |  |
|---|----------------|---------------------------------|--|
| TITLE<br>STANDARD, CABLE<br>X-LOK (2+4)PIN F CONN F PIN |                |                                 |  |
| SCALE<br>1:1  | SIZE<br>A4     | SHEET<br>1 OF 1                 |  |
| REV.<br>B   | WC-REV.<br>A.2 | $\varnothing$ : Inspection item |  |

**Amphenol LTW**  
 安費諾亮泰企業股份有限公司

|                             |                          |                    |
|-----------------------------|--------------------------|--------------------|
| ITEM NO                     | DRAWN BY<br>Frank Deng   | DATE<br>2017-02-13 |
| DWG NO<br>BBD-06AFFM-QR8FXX | CHECKED BY<br>Spring Liu | DATE<br>2017-02-13 |
| CUSTOMER<br>ALTW            | APPROVED BY<br>Kevin Hu  | DATE<br>2017-02-13 |