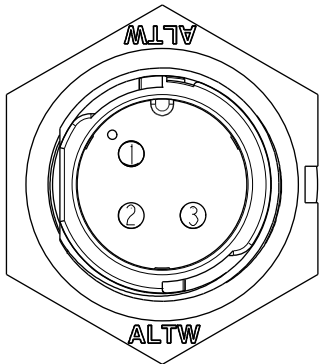
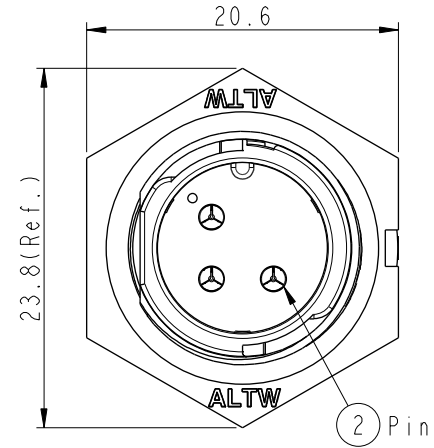
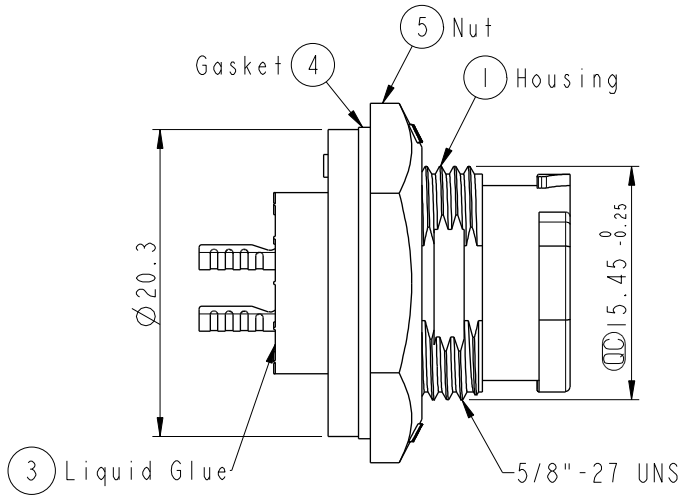
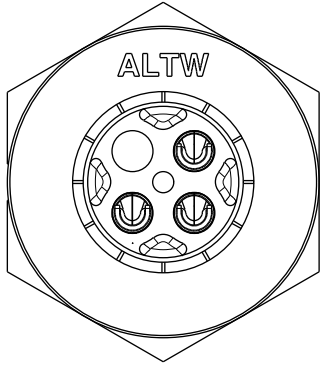
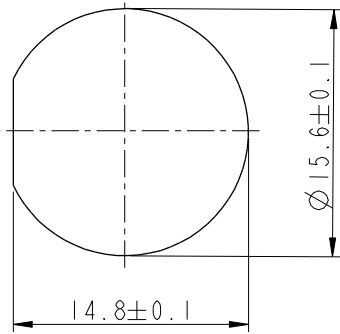


REV.	ECN NO.	DATE	SIGN	DESCRIPTION
B	CI90411	2019/03/14	Vicky	Change Note

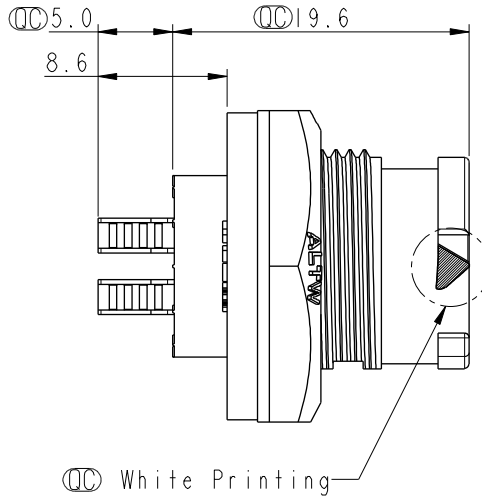
ALTW
CONFIDENTIAL
2019-03-14
R&D DEPT.



Pin Assignments
Front View

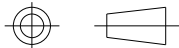


Recommended Panel Cut-out



- Note:
- * \varnothing Important Dimension To Check.
 - * Waterproof Rate: IP68, Unmated. In 1 meter water within 24 hours
 - * Housing: Thermoplastic, Black.
 - * Pin: Copper Alloy, Gold Plated.
 - * Nut: Thermoplastic, Black.
 - * Gasket: Rubber, Gary.
 - * Use Without Waterproof Cap Panel Thickness Max: 4.0mm
 - * Use With Waterproof Cap Panel Thickness Max: 3.0mm
 - * Gasket and Nut are packed separately in PE bags.

UNIT:mm



TOLERANCE
X ±0.25

TITLE
X Lok B-Size Receptacle
Front Fastened M Conn M 3 Pin

SCALE 2:1 SIZE A4 SHEET 1 OF 1
REV. B WC-REV. A.4 \varnothing : Inspection item

Amphenol LTW
安費諾亮泰企業股份有限公司

ITEM NO	DRAWN BY	DATE
BB-03PMMS-QC8001	Vicky	2019-03-14
DWG NO	CHECKED BY	DATE
BB-03PMMS-QC8001	Rita	2019-03-14
CUSTOMER	APPROVED BY	DATE
ALTW	Max	2019-03-14

THIS DOCUMENT IS SUBJECT TO CHANGE WITHOUT NOTICE. IT IS CONFIDENTIAL AND A PROPERTY OF Amphenol LTW. DISCLOSURE TO THIRD PARTY HAS TO BE AUTHORIZED BY Amphenol LTW.