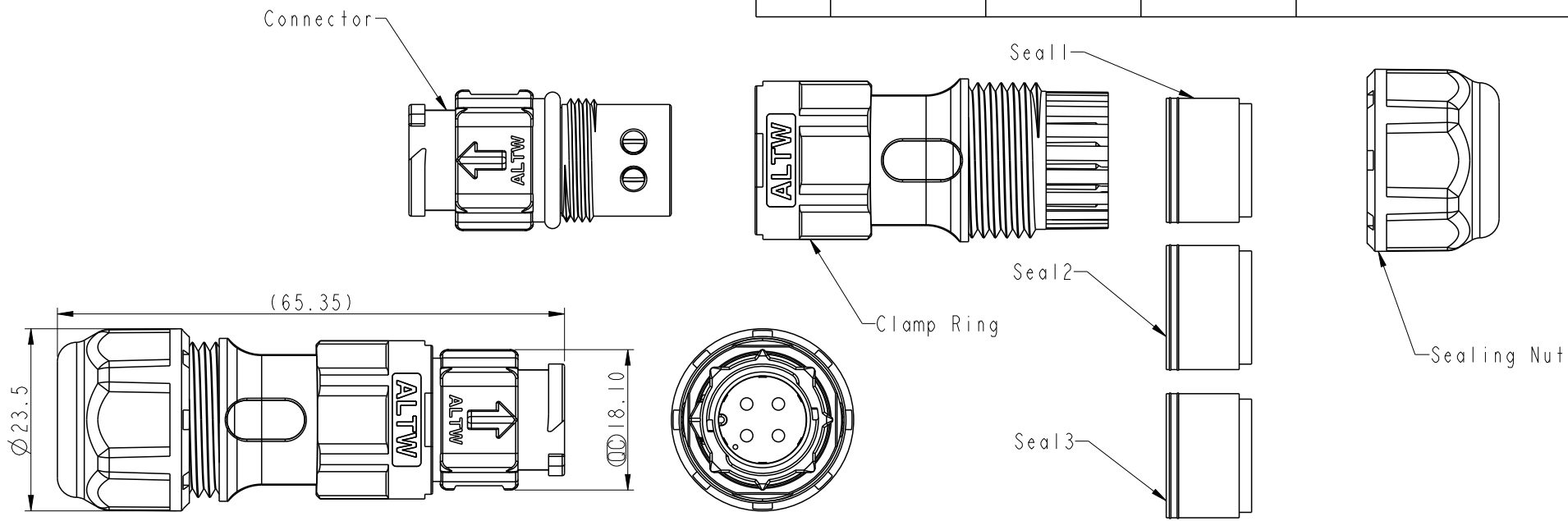


THIS DOCUMENT IS SUBJECT TO CHANGE WITHOUT NOTICE. IT IS CONFIDENTIAL AND A PROPERTY OF AMPHENOL LTW. DISCLOSURE TO THIRD PARTY HAS TO BE AUTHORIZED BY AMPHENOL LTW.

REV.	ECN NO.	DATE	SIGN	DESCRIPTION
A	-	2021/02/08	Allen	Rev.02 To Rev.A
B	C210889	2021/04/19	Allen	$\triangle B$ XI.



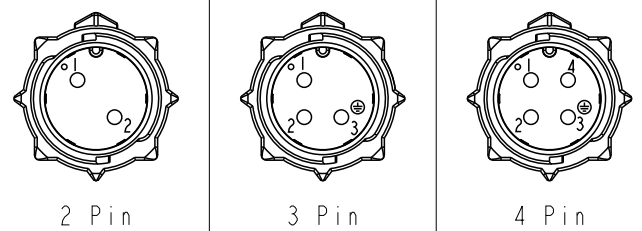
BB-XXBMMB-QL8XPP

02-2Pin
03-3Pin
04-4Pin

S: With Red Color Seal 1, Cable OD 5.0~6.0mm.
M: With Yellow Color Seal 2, Cable OD 6.0~8.0mm.
L: With Blue Color Seal 3, Cable OD 8.0~10.0mm.
A: With Seal 1 & Seal 2 & Seal 3.

Note:
 * \varnothing Important Dimension
 * Waterproof Rate: IPX8, Mated 1m/24h.
 * Housing: Thermoplastic, Black.
 * Pin: Copper Alloy, Silver Plated.
 * Clamp Ring: Thermoplastic, Black.
 * Sealing Nut: Thermoplastic, Black.
 * Seals: Rubber.
 * One set unassembled in one PE bag
 * RoHS Compliant

Pin Assignments Front View



UNIT:mm			TITLE XLOK, B-10A, CABLE W/O SR $\triangle B$ M, M, FI SCREW IN, XLOK		
TOLERANCE ± 0.5 mm			SCALE 1:1	SIZE A4	SHEET 1 OF 1
			REV. B	WC-REV. A.5	\varnothing : Inspection item

Amphenol LTW
安費諾亮泰企業股份有限公司

ITEM NO.	DRAWN BY Allen	DATE 2021/02/08
DWG NO. BB-XXBMMB-QL8XPP	CHECKED BY Wen	DATE 2021/02/08
CUSTOMER ALTW	APPROVED BY Neo	DATE 2021/02/08