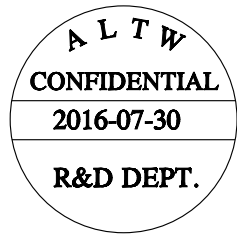
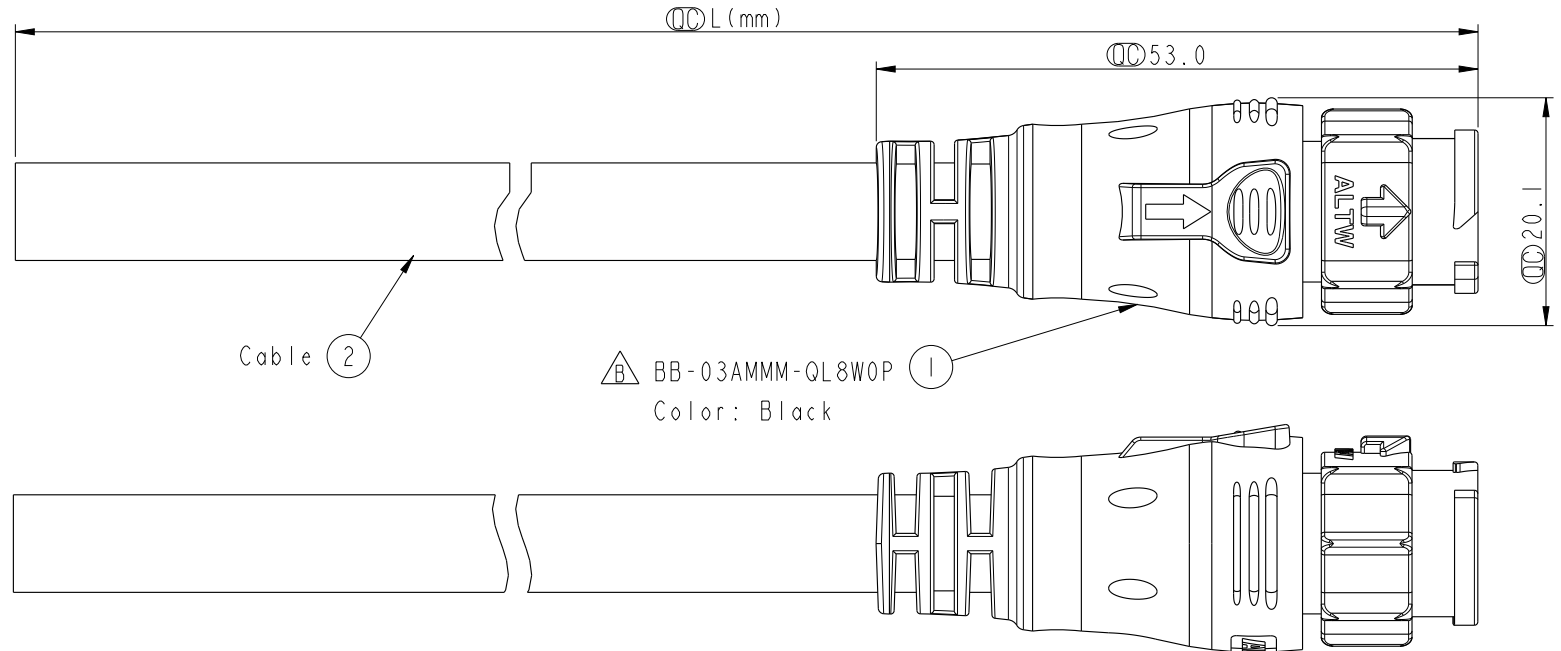
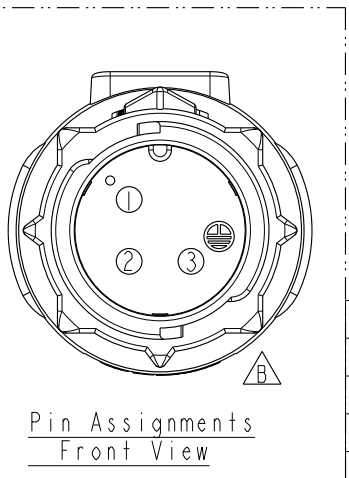
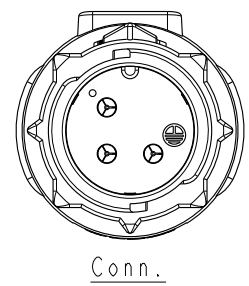


THIS DOCUMENT IS SUBJECT TO CHANGE WITHOUT NOTICE. IT IS CONFIDENTIAL AND A PROPERTY OF Amphenol LTW. DISCLOSURE TO THIRD PARTY HAS TO BE AUTHORIZED BY Amphenol LTW.

REV.	ECN NO.	DATE	SIGN	DESCRIPTION
B	LE31680198	2016-07-30	Tom Gu	Change Part No. of Half Finished



BB-03AMMM-QL8W0P  
Color: Black



BB-03AMMM-QL8EXX  
 XX : 01~99Meters  
 01 : 01Meter  
 02 : 02Meters  
 :  
 :  
 :  
 99 : 99Meters

- Note:
- \*  $\varnothing$  Important Dimension To Check.
  - \* Waterproof Rate: IP68(Mated)  
(In 1 meter water within 24 hours)
  - \* Working Voltage Rating: AC 300 V
  - \* Working Current Rating: 10A
  - \* Housing: Nylon+GF, Black.
  - \* Male Pin: Copper Alloy, Gold Plated.
  - \* Cable: SJTW 16AWG\*3C + Filler  
PVC Jacket UV Resistant, OD=8.6, Black.
  - \* Cable Length Tolerance: 01M:±40mm  
02M~05M:±60mm  
06M~10M:±100mm  
11M~30M:±200mm  
31M~99M:±500mm

3	Green	綠
2	White	白
1	Black	黑
Conn.	Wire Color	
Pin Out		

Cable Length(L): 01~99Meters

UNIT:mm		
TOLERANCE	±0.5	

TITLE X-Lok B-Size (Power) Molding M Conn M 3 Pin			
SCALE 3:2	SIZE A4	SHEET 1 OF 1	
REV. B	WC-REV. A.1	$\varnothing$ : Inspection item	

**Amphenol LTW**  
安費諾亮泰企業股份有限公司

ITEM NO	DRAWN BY Tom Gu	DATE 2016-07-30
DWG NO BB-03AMMM-QL8EXX	CHECKED BY Spring Liu	DATE 2016-07-30
CUSTOMER ALTW	APPROVED BY Kevin Hu	DATE 2016-07-30