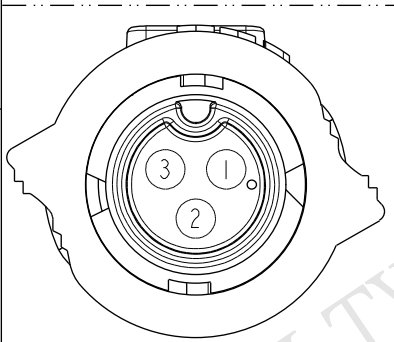
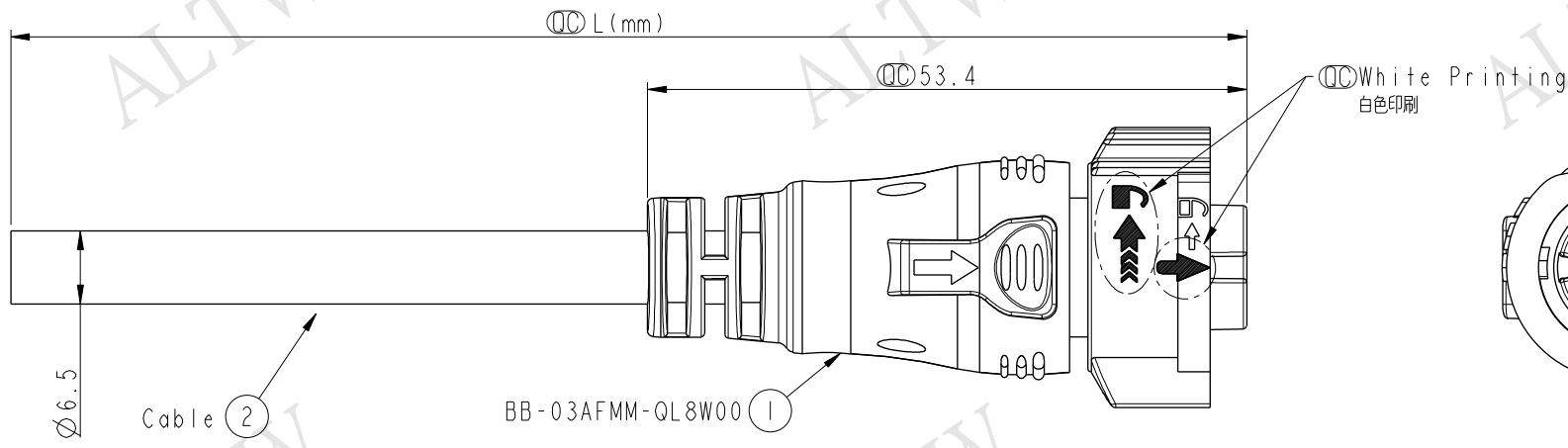


REV.	ECN NO.	DATE	SIGN	DESCRIPTION

ALTW
CONFIDENTIAL
 2014-09-12
 R&D DEPT.



Pin Assignments
Front View

ALTW
 DCC. DEPT.
 CONFIDENTIAL
 2014.11.26
 ISSUED

BB-03AFMM-QL8D XX

↑

XX : 01~99Meters
 01 : 01Meter
 02 : 02Meters
 :
 :
 :
 99 : 99Meters

3	Red	紅
2	Brown	棕
1	Black	黑
Conn.	Wire Color	
	Pin Out	

- Note:
- * (QC) Important Dimension To Check.
 - * Waterproof Rate: IP68(Mated)
 - * Working Voltage Rating: AC 300 V
 - * Working Current Rating: 10A
 - * Flame Class: UL94V-0 (UV Resistance)
 - * Housing: Nylon+GF, Black.
 - * Male Pin: Copper Alloy, Gold Plated.
 - * Rubber: Silicon, Gray
 - * Cable: UL21388 16AWG*3C+AL+My
PVC Jacket UV Resistant, OD=6.5, Black.
 - * Cable Length Tolerance: 01M:±40mm
02M~05M:±60mm
06M~10M:±100mm
11M~30M:±200mm
31M~99M:±500mm

UNIT:mm TOLERANCE .X ±0.5	TITLE X-Lok B-Size Molding F Conn M 3 Pin			Amphenol LTW 安費諾亮泰企業股份有限公司		ITEM NO	DRAWN BY	DATE
	SCALE	SIZE	SHEET			OF	DWG NO	CHECKED BY
	REV.	WC-REV.	(QC): Inspection item		CUSTOMER	APPROVED BY	DATE	
	A	A.2		ALTW	Kevin	2014-09-12		
							Micky	2014-09-12
							Spring	2014-09-12

THIS DOCUMENT IS SUBJECT TO CHANGE WITHOUT NOTICE. IT IS CONFIDENTIAL AND A PROPERTY OF Amphenol LTW. DISCLOSURE TO THIRD PARTY HAS TO BE AUTHORIZED BY Amphenol LTW.