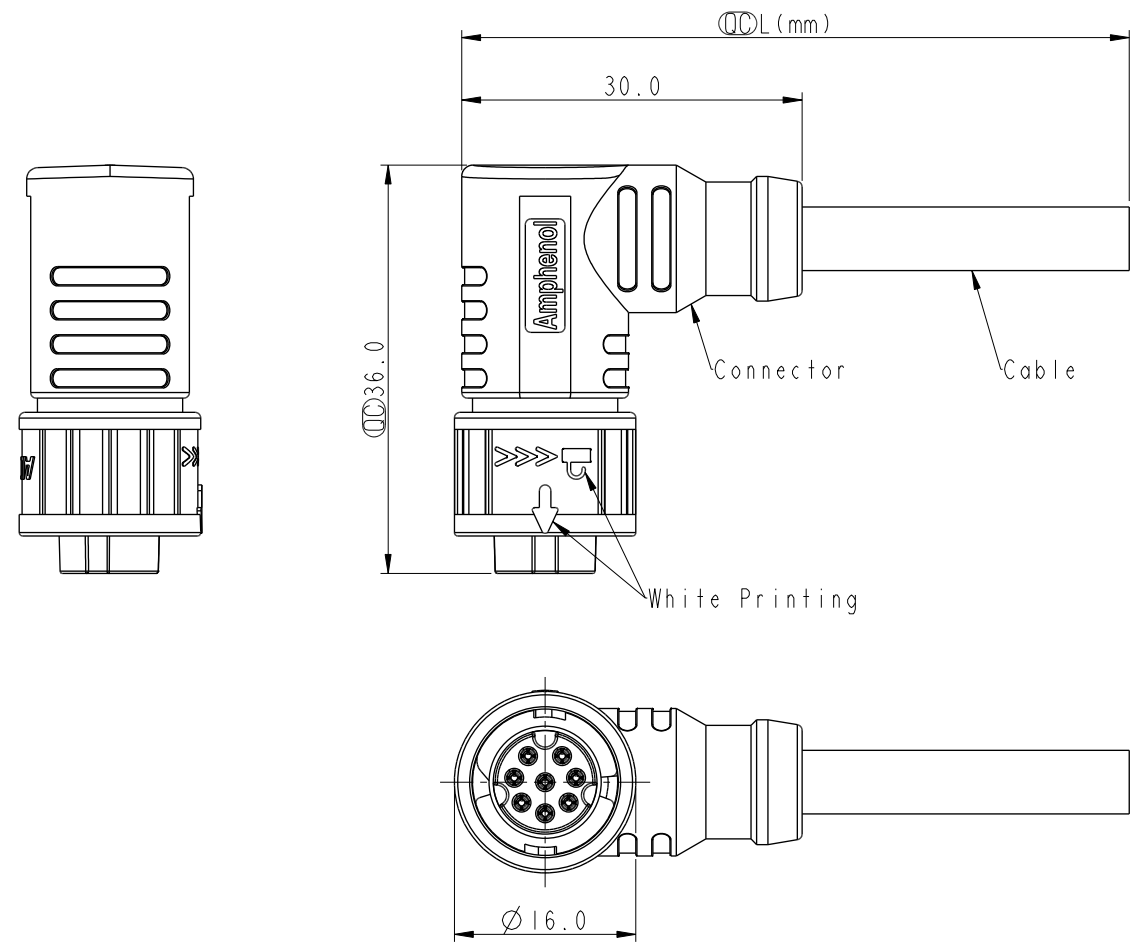


THIS DOCUMENT IS SUBJECT TO CHANGE WITHOUT NOTICE. IT IS CONFIDENTIAL AND A PROPERTY OF Amphenol LTW. DISCLOSURE TO THIRD PARTY HAS TO BE AUTHORIZED BY Amphenol LTW.

REV.	ECN NO.	DATE	SIGN	DESCRIPTION
A		2020-05-27	Allen Pan	Rev.03 To Rev.A



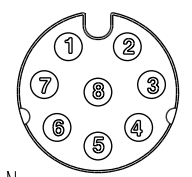
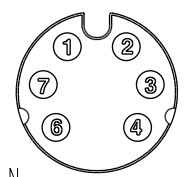
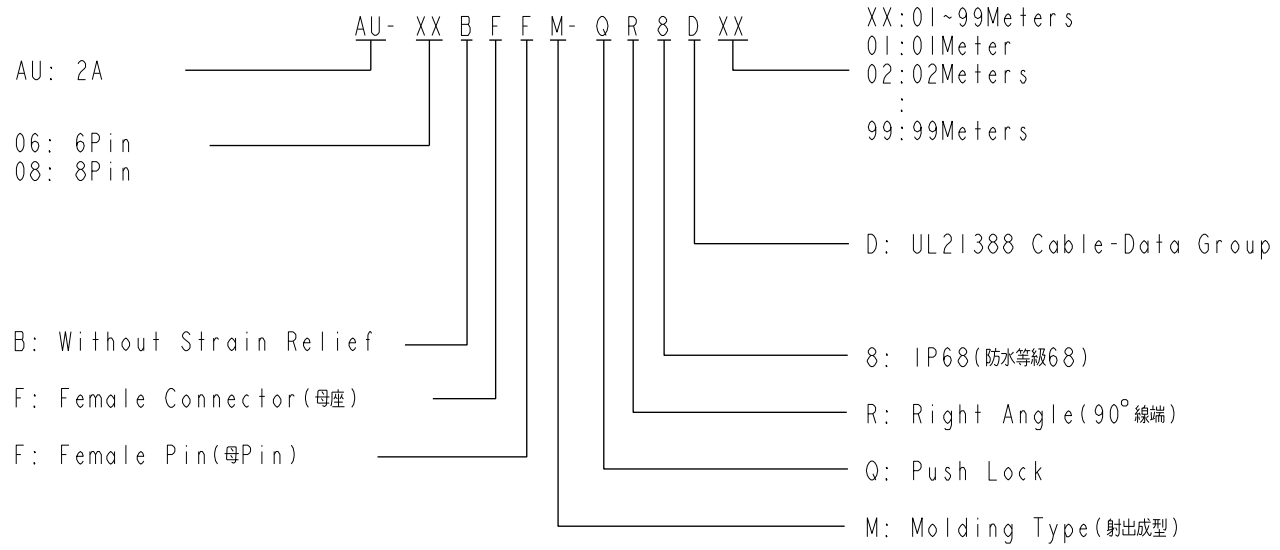
- Note:
- \*  $\text{L}$  Important Dimension To Check.
  - \* Waterproof Rate: IP68(Mated)
  - \* Flame Class: UL94V-0 (UV Resistance)
  - \* Housing: Thermoplastic, Black.
  - \* Female Pin: Copper Alloy, Gold Plated.
  - \* Nut: Thermoplastic, Black.
  - \* Outer Mold: Thermoplastic, Black.
  - \* Inner Mold: Thermoplastic, Black.
  - \* O-Ring: Rubber, Black
  - \* Rated Current: 6~8Pin 2A(30V)
  - \* Cable Length Tolerance:
    - ≤0.3M: +25/-0mm.
    - >0.3M~1.5M: +50/-0mm.
    - >1.5M~3M: +100/-0mm.
    - >3M~5M: +150/-0mm.
    - >5M~10M: ±100mm.
    - >10M~20M: ±200mm.
    - >20M~30M: ±300mm.
    - >30M~100M: ±500mm.

UNIT:mm   
 TOLERANCE  
 ±0.5mm

TITLE X-Lok A-Size Molding F Conn F Pin			
SCALE 3:2	SIZE A4	SHEET 1 OF 2	
REV. A	WC-REV. A.1	$\text{L}$ : Inspection item	

**Amphenol LTW**  
 安費諾亮泰企業股份有限公司

ITEM NO.	DRAWN BY Allen Pan	DATE 2020-05-27
DWG NO. AU-XXBFFM-QR8DXX	CHECKED BY Sam Ho	DATE 2020-05-27
CUSTOMER ALTW	APPROVED BY Fred Lee	DATE 2020-05-27



**CABLE:**  
 24AWG\*6C+AL/MY  
**PIN OUT:**  
 1.White  
 2.Brown  
 3.Green  
 4.Yellow  
 6.Pink  
 7.Blue

**CABLE:**  
 24AWG\*8C+AL/MY  
**PIN OUT:**  
 1.White  
 2.Brown  
 3.Green  
 4.Yellow  
 5.Gray  
 6.Pink  
 7.Blue 8.Red

AU-06BFFM-QR8DXX

AU-08BFFM-QR8DXX

UNIT:mm   
 TOLERANCE  
 ±0.5mm

TITLE X-Lok A-Size Molding F Conn F Pin			
SCALE 3:2	SIZE A4	SHEET 2 OF 2	
REV. A	WC-REV. A.1	QC: Inspection item	

**Amphenol LTW**  
 安費諾亮泰企業股份有限公司

ITEM NO	DRAWN BY Allen Pan	DATE 2020-05-27
DWG NO AU-XXBFFM-QR8DXX	CHECKED BY Sam Ho	DATE 2020-05-27
CUSTOMER ALTW	APPROVED BY Fred Lee	DATE 2020-05-27