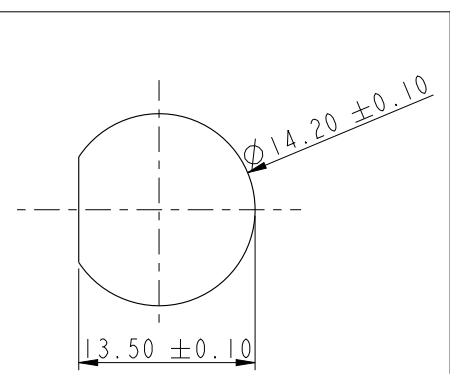
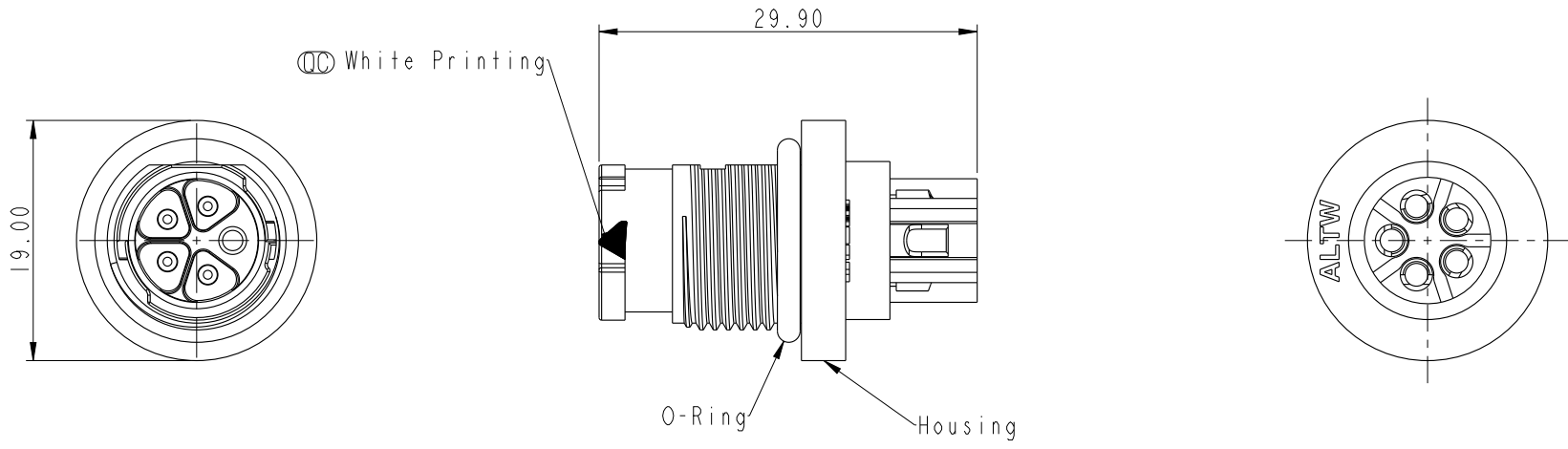


THIS DOCUMENT IS SUBJECT TO CHANGE WITHOUT NOTICE. IT IS CONFIDENTIAL AND A PROPERTY OF Amphenol LTW. DISCLOSURE TO THIRD PARTY HAS TO BE AUTHORIZED BY Amphenol LTW.

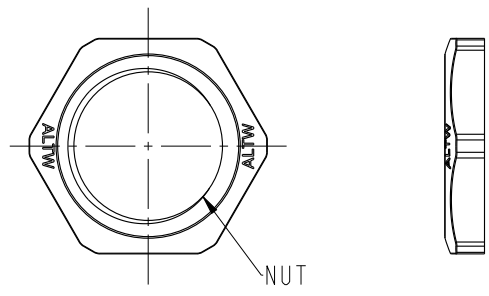
REV.	ECN NO.	DATE	SIGN	DESCRIPTION
B	C210383	2021-03-24	Ouyang	XI
C	C211048	2021-07-09	Ouyang	xI



Recommended Panel Cut-out

- Note:
- * RoHS Compliant
 - * Important Dimension
 - * Waterproof Rate: IPX8, Unmated 1m/24h
 - * Connector
 - Housing: Thermoplastic, Black
 - Pin: Copper Alloy, Gold Plated
 - * Nut: Metal / Thermoplastic, Black
 - * O-Ring: Rubber, Gray
 - * Use Without Waterproof Cap
 - Panel Thickness Max: 4.0mm
 - * Use With Waterproof Cap
 - Panel Thickness Max: 3.0mm
 - * O-RING and nut are packed separately in PE bag

UNIT: mm TOLERANCE ±0.5mm	TITLE X Lok A-Size Receptacle Front Fastened M Conn M Pin 16A			Amphenol LTW 安費諾亮泰企業股份有限公司	ITEM NO	DRAWN BY Ouyang	DATE 2021-01-23
	SCALE 1:1	SIZE A4	SHEET 1 OF 2		DWG NO AG-XXPMJS-QC800P	CHECKED BY Jerry	DATE 2021-01-23
	REV. C	WC-REV. .0	: Inspection item		CUSTOMER ALTW	APPROVED BY Fred	DATE 2021-01-23

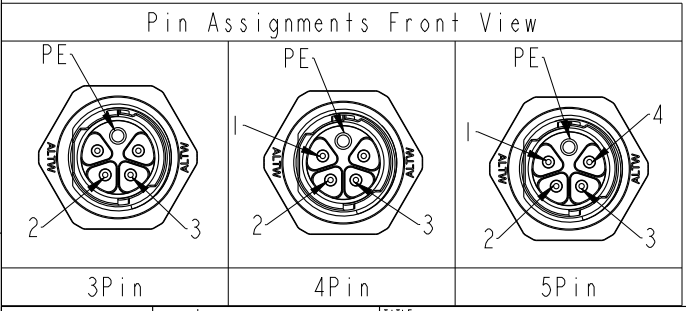


(AG) I6A AG- XX P M J S- Q C 8 0 0 P

03: 3Pin
04: 4Pin
05: 5Pin

P: Front Fastened
M: Male Connector (公座)
J: Male Pin And Female grounding Pin

8: IP68 (防水等級68)
C: Circular Backshell
Q: Push Lock
S: Solder Type



UNIT:mm TOLERANCE ±0.5mm	TITLE X Lok A-Size Receptacle Front Fastened M Conn M Pin I6A	
	SCALE 1:1	SIZE A4
	REV. C	WC-REV. .0

Amphenol LTW
安費諾亮泰企業股份有限公司

ITEM NO	DRAWN BY Ouyang	DATE 2020-09-07
DWG NO AG-XXPMJS-QC800P	CHECKED BY Jerry	DATE 2020-09-07
CUSTOMER ALTW	APPROVED BY Fred	DATE 2020-09-07