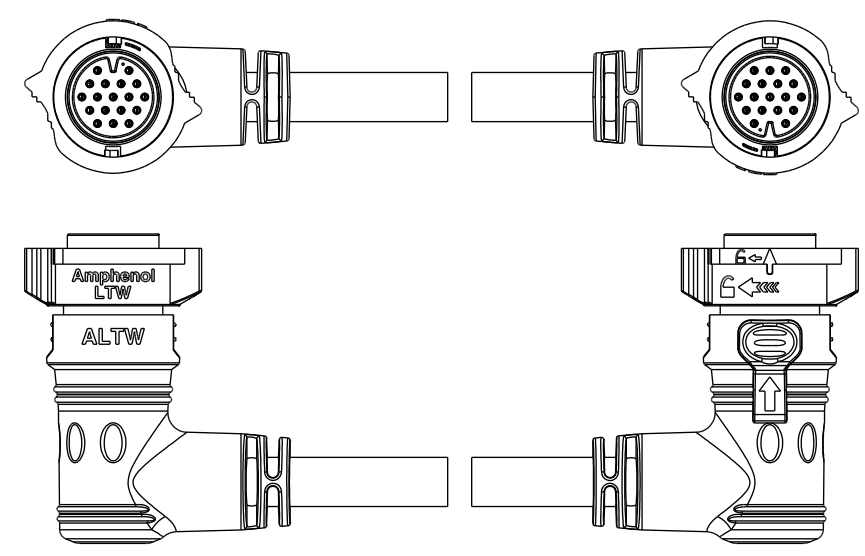
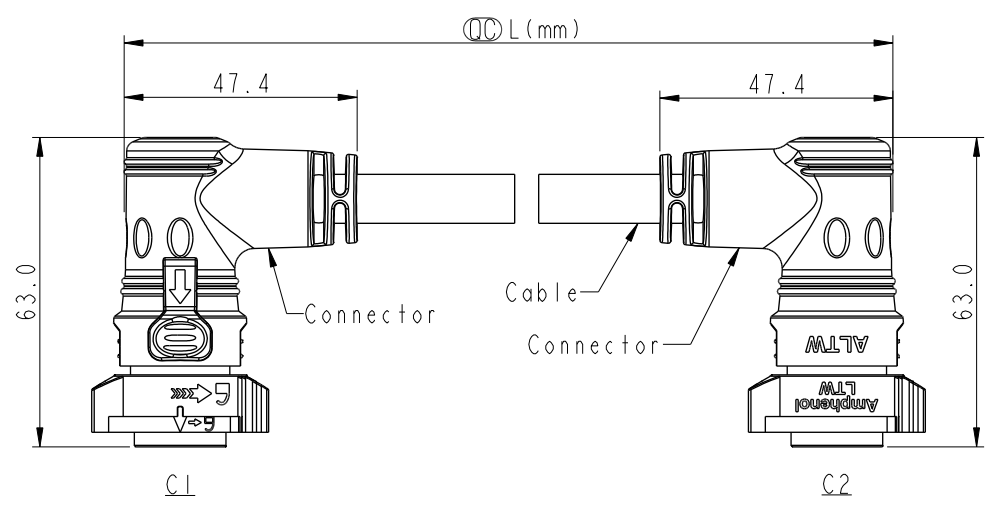


THIS DOCUMENT IS SUBJECT TO CHANGE WITHOUT NOTICE. IT IS CONFIDENTIAL AND A PROPERTY OF Amphenol LTW. DISCLOSURE TO THIRD PARTY HAS TO BE AUTHORIZED BY Amphenol LTW.

REV.	ECN NO.	DATE	SIGN	DESCRIPTION
A		2020/01/15	Ruru	Initial Released



Note:
 * \varnothing Important Dimension.
 * Waterproof Rate: IP68, Mated.
 IP68: 1M depth of water in 24 hours.
 * Connector: Thermoplastic, Black.
 * Pin: Copper Alloy, Gold Plated.
 * Cable: UL21388, PVC Jacket, Black.
 * Cable Length Tolerance: 0.5M: +60/-0mm
 01M: +60/-0mm
 02~03M: +120/-0mm
 04~05M: +160/-0mm
 06~10M: ± 100 mm
 11~20M: ± 200 mm
 21~30M: ± 300 mm
 31~99M: ± 500 mm

UNIT: mm TOLERANCE ± 0.5 mm	TITLE ACC, XLOK, D-5A, DB-ENDED FF		Amphenol LTW 安費諾亮泰企業股份有限公司		ITEM NO	DRAWN BY Ruru	DATE 2020-01-15
	SCALE 1:2	SIZE A4			SHEET 1 OF 2	DWG NO AB-DDXXBR-DDBR-QDXXX	CHECKED BY Rita
	REV. A	WC-REV.	\varnothing : Inspection item	CUSTOMER ALTW	APPROVED BY Max	DATE 2020-01-15	

THIS DOCUMENT IS SUBJECT TO CHANGE WITHOUT NOTICE. IT IS CONFIDENTIAL AND A PROPERTY OF Amphenol LTW. DISCLOSURE TO THIRD PARTY HAS TO BE AUTHORIZED BY Amphenol LTW.

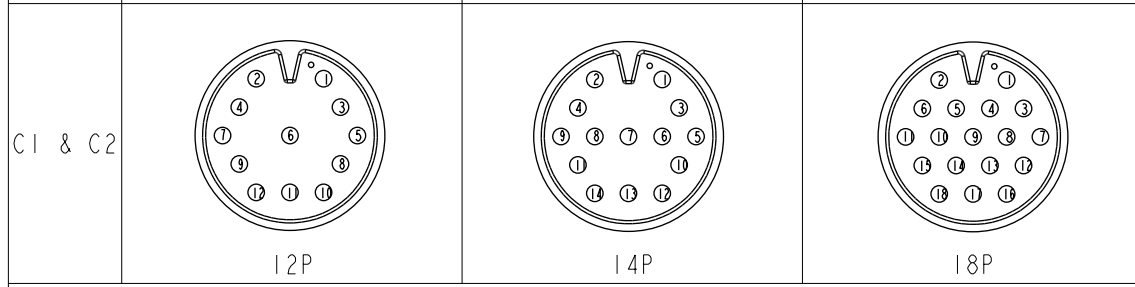
18P		PVC	10	20	AB-DD18BR-DDBR-QDXXX
14P			8.5		AB-DD14BR-DDBR-QDXXX
12P			8.5		AB-DD12BR-DDBR-QDXXX
Contacts	Cable Jacket	Cable OD	AWG	Item No.	

AB- DD XX B R - DD B R - Q D XXX

12: 12Pin
 14: 14Pin
 18: 18Pin

XXX: 0.5~99Meters
 A05: 0.5 Meter
 001: 01 Meter
 002: 02 Meters
 :
 099: 99 Meters

Pin Out	12 Light Green 淡綠	14 Brown/White 棕/白	18 Blue/White 藍/白
	11 Pink 粉紅	13 Black/White 黑/白	17 Green/White 綠/白
10 White 白	12 Light Green 淡綠	16 Orange/White 橙/白	15 Red/White 紅/白
9 Gray 灰	11 Pink 粉紅	14 Brown/White 棕/白	13 Black/White 黑/白
8 Purple 紫	10 White 白	12 Light Green 淡綠	12 Light Green 淡綠
7 Blue 藍	9 Gray 灰	11 Pink 粉紅	11 Pink 粉紅
6 Green 綠	8 Purple 紫	10 White 白	10 White 白
5 Yellow 黃	7 Blue 藍	9 Gray 灰	9 Gray 灰
4 Orange 橙	6 Green 綠	8 Purple 紫	8 Purple 紫
3 Red 紅	5 Yellow 黃	7 Blue 藍	7 Blue 藍
2 Brown 棕	4 Orange 橙	6 Green 綠	6 Green 綠
1 Black 黑	3 Red 紅	5 Yellow 黃	5 Yellow 黃
	2 Brown 棕	4 Orange 橙	4 Orange 橙
	1 Black 黑	3 Red 紅	3 Red 紅
		2 Brown 棕	2 Brown 棕
		1 Black 黑	1 Black 黑



Pin Assignments Front View

UNIT:mm	
TOLERANCE	
± 0.5 mm	

TITLE ACC, XLOK, D-5A, DB-ENDED FF		
SCALE 1:2	SIZE A4	SHEET 2 OF 2
REV. A	WC-REV.	: Inspection item

Amphenol LTW
 安費諾亮泰企業股份有限公司

ITEM NO	DRAWN BY Ruru	DATE 2020-01-15
DWG NO AB-DDXXBR-DDBR-QDXXX	CHECKED BY Rita	DATE 2020-01-15
CUSTOMER ALTW	APPROVED BY Max	DATE 2020-01-15