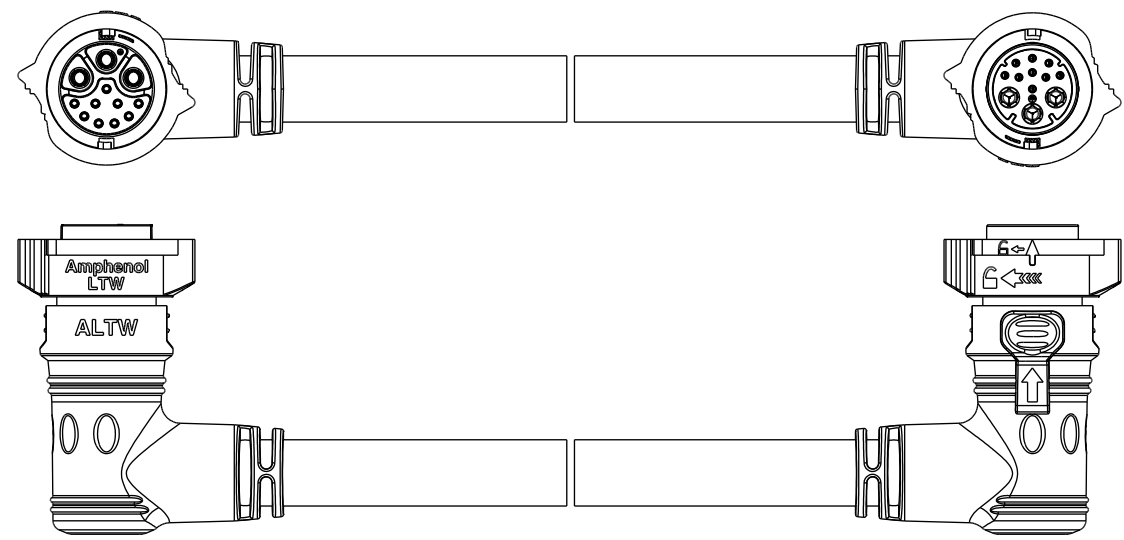
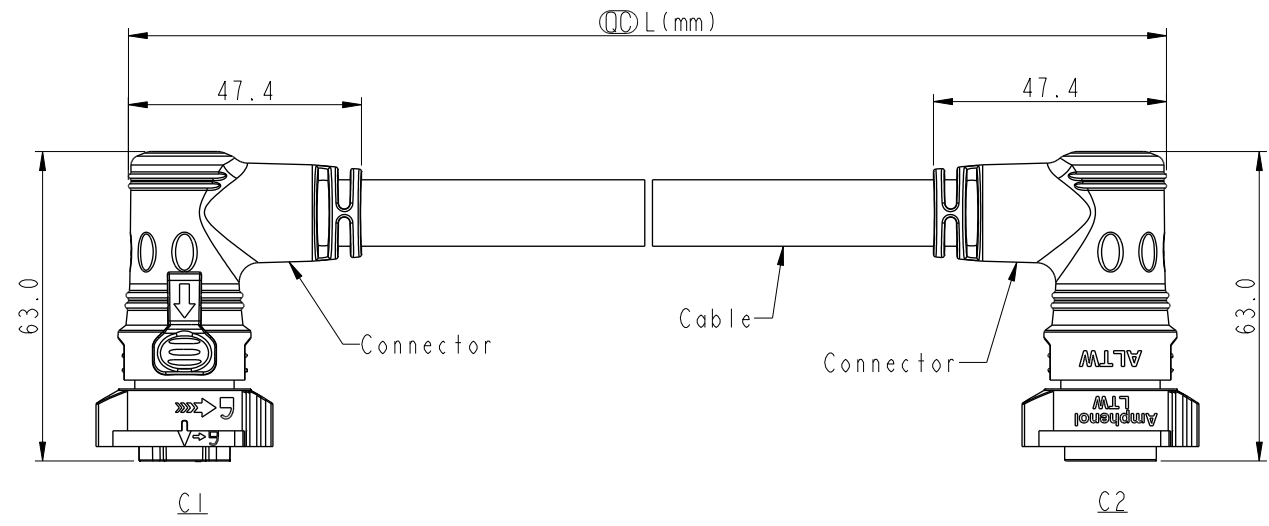


THIS DOCUMENT IS SUBJECT TO CHANGE WITHOUT NOTICE. IT IS CONFIDENTIAL AND A PROPERTY OF Amphenol LTW. DISCLOSURE TO THIRD PARTY HAS TO BE AUTHORIZED BY Amphenol LTW.

| REV. | ECN NO. | DATE       | SIGN | DESCRIPTION      |
|------|---------|------------|------|------------------|
| A    |         | 2020/01/21 | Ruru | Initial Released |
|      |         |            |      |                  |



- Note:
- \*  $\varnothing$  Important Dimension.
  - \* Waterproof Rate: IP68, Mated.  
IP68: 1M depth of water in 24 hours.
  - \* Connector: Thermoplastic, Black.
  - \* Pin: Copper Alloy, Gold Plated.
  - \* Cable: UL21996, (26#\*4P+D+AL)+12#\*3C+AL, PVC Jacket, Black, OD13.5
  - \* Cable Length Tolerance:
    - 0.5M: +60/-0mm
    - 01M: +60/-0mm
    - 02~03M: +120/-0mm
    - 04~05M: +160/-0mm
    - 06~10M: ±100mm
    - 11~20M: ±200mm
    - 21~30M: ±300mm
    - 31~99M: ±500mm

|           |              |                                     |
|-----------|--------------|-------------------------------------|
| UNIT: mm  |              | TITLE                               |
| TOLERANCE | $\pm 0.5$ mm | ACC, XLOK, D-20A+5A, DB-ENDED<br>FF |
| SCALE     | 1:2          | SIZE A4                             |
| REV.      | A            | SHEET 1 OF 2                        |
| WC-REV.   |              | $\varnothing$ : Inspection item     |

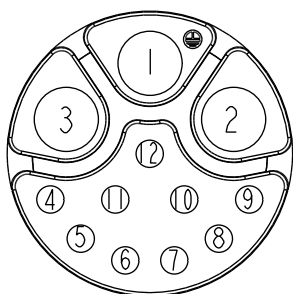
**Amphenol LTW**  
安費諾亮泰企業股份有限公司

|                        |             |            |
|------------------------|-------------|------------|
| ITEM NO.               | DRAWN BY    | DATE       |
|                        | Ruru        | 2020-01-21 |
| DWG NO.                | CHECKED BY  | DATE       |
| AB-DCDXXFR-DCDBR-QFXXX | Rita        | 2020-01-21 |
| CUSTOMER               | APPROVED BY | DATE       |
| ALTW                   | Max         | 2020-01-21 |

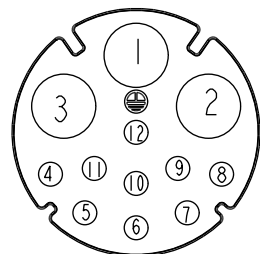
AB- DCD XX F R - DCD B R - Q F XXX

12: 12Pin

XXX: 0.5~99Meters  
 A05: 0.5 Meter  
 001: 01 Meter  
 002: 02 Meters  
 :  
 099: 99 Meters



C1  
Pin Assignments  
Front View



C2  
Pin Assignments  
Front View

|         |                |    |
|---------|----------------|----|
| 12      | Drain (26AWG)  | 地線 |
| 11      | Gray (26AWG)   | 灰  |
| 10      | Yellow (26AWG) | 黃  |
| 9       | Orange (26AWG) | 橘  |
| 8       | Violet (26AWG) | 紫  |
| 7       | Blue (26AWG)   | 藍  |
| 6       | Red (26AWG)    | 紅  |
| 5       | Green (26AWG)  | 綠  |
| 4       | White (26AWG)  | 白  |
| 3       | Black (12AWG)  | 黑  |
| 2       | White (12AWG)  | 白  |
| 1       | Green (12AWG)  | 綠  |
| Conn.   | Wire Color     |    |
| Pin Out |                |    |

Twist  
對線

Twist  
對線

Twist  
對線

Twist  
對線

UNIT:mm

TOLERANCE  
± 0.5 mm

TITLE ACC, XLOK, D-20A+5A, DB-ENDED  
FF

|       |     |         |    |                     |   |    |   |
|-------|-----|---------|----|---------------------|---|----|---|
| SCALE | 1:2 | SIZE    | A4 | SHEET               | 2 | OF | 2 |
| REV.  | A   | WC-REV. |    | QC: Inspection item |   |    |   |

**Amphenol LTW**  
安費諾亮泰企業股份有限公司

|         |                        |          |          |            |             |            |
|---------|------------------------|----------|----------|------------|-------------|------------|
| ITEM NO | DWG NO                 | CUSTOMER | DRAWN BY | CHECKED BY | APPROVED BY | DATE       |
|         | AB-DCDXXFR-DCDBR-QFXXX | ALTW     | Ruru     | Rita       | Max         | 2020-01-21 |