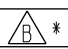
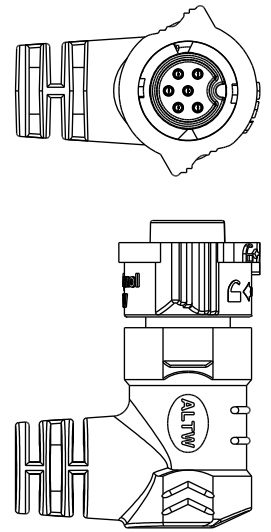
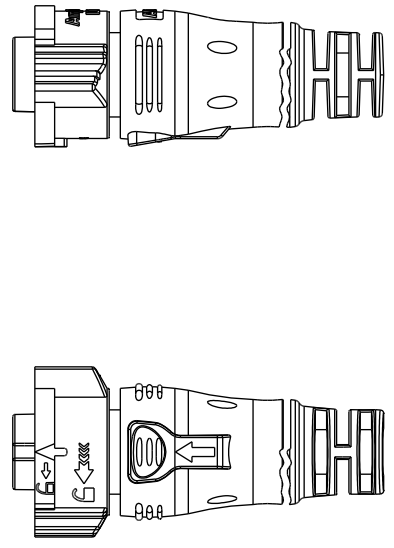
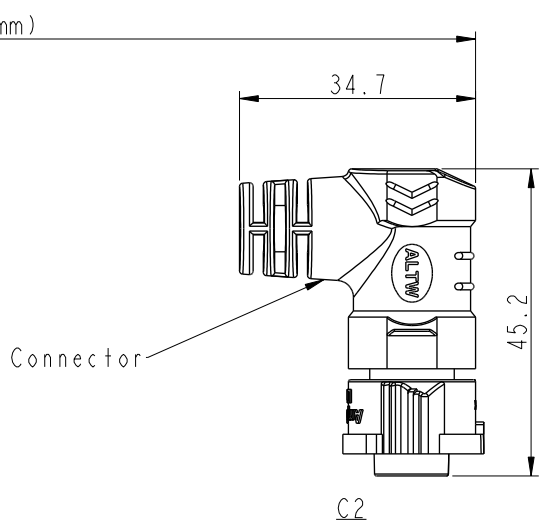
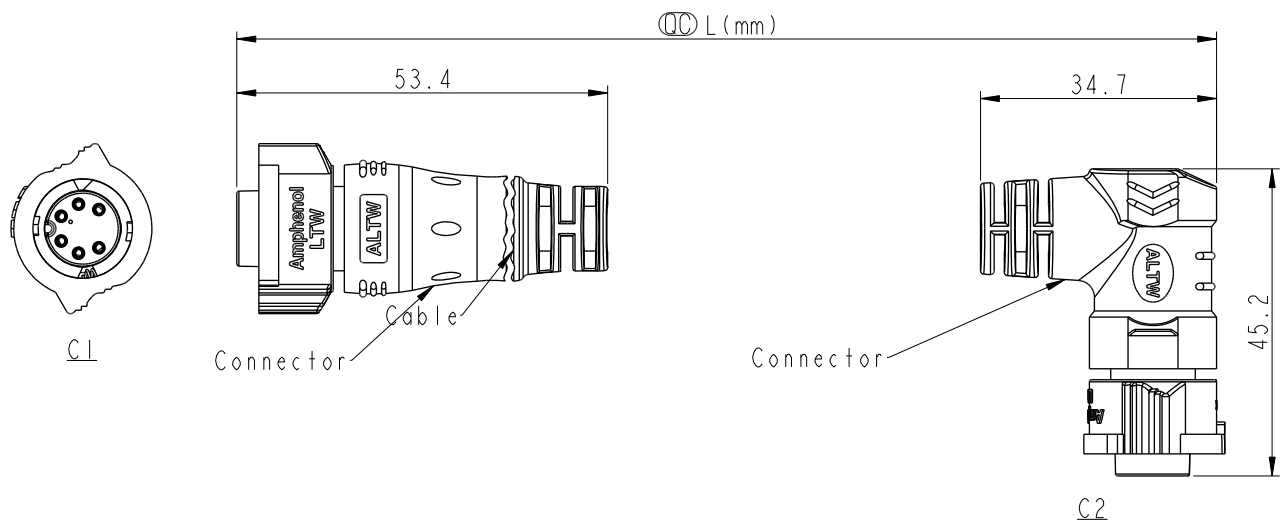




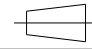
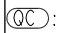
THIS DOCUMENT IS SUBJECT TO CHANGE WITHOUT NOTICE. IT IS CONFIDENTIAL AND A PROPERTY OF Amphenol LTW. DISCLOSURE TO THIRD PARTY HAS TO BE AUTHORIZED BY Amphenol LTW.

REV.	ECN NO.	DATE	SIGN	DESCRIPTION
A		2020/01/20	Vicky	Initial Released
B	C200652	2020/05/15	Wesley Lin	 *I



Note:

- *  Important Dimension
- * Waterproof Rate: IP68, Mated
IP68: 1M depth of water in 24hours
- * Connector: Thermoplastic, Black
- * Pin: Copper Alloy, Gold Plated
- * Cable: UL21388, PVC Jacket, Black
- * Cable Length Tolerance: 0.5M: +60/-0mm
01M: +60/-0mm
02~03M: +120/-0mm
04~05M: +160/-0mm
06~10M: ±100mm
11~20M: ±200mm
21~30M: ±300mm
31~99M: ±500mm

UNIT: mm			TITLE ACC, XLOK, B-5A, DB-ENDED FF
TOLERANCE ±0.5mm	SCALE 1:2	SIZE A4	SHEET 1 OF 2
	REV. B	WC-REV. .0	 : Inspection item

Amphenol LTW
安費諾亮泰企業股份有限公司

ITEM NO.	DRAWN BY Vicky	DATE 2020-01-20
DWG NO. AB-BDXXFL-BDBR-QDXXX	CHECKED BY Rita	DATE 2020-01-20
CUSTOMER ALTW	APPROVED BY Max	DATE 2020-01-20

THIS DOCUMENT IS SUBJECT TO CHANGE WITHOUT NOTICE. IT IS CONFIDENTIAL AND A PROPERTY OF Amphenol LTW. DISCLOSURE TO THIRD PARTY HAS TO BE AUTHORIZED BY Amphenol LTW.

6P	PVC	6.8	20	AB-BD06FL-BDBR-QDXXX
5P		6.2		AB-BD05FL-BDBR-QDXXX
4P		6.0		AB-BD04FL-BDBR-QDXXX
3P		5.5		AB-BD03FL-BDBR-QDXXX
2P		5.5		AB-BD02FL-BDBR-QDXXX
Contacts	Cable Jacket	Cable OD	AWG	Item No.

AB-BD XX FL-BDBR-QD XXX

02: 2Pin
03: 3Pin
04: 4Pin
05: 5Pin
06: 6Pin

XXX: 0.5~99Meters
A05: 0.5 Meter
001: 01 Meter
002: 02 Meters
:
099: 99 Meters

Pin Out	2 Pin	3 Pin	4 Pin	5 Pin	6 Pin
	2 Brown 1 Black	3 Red 2 Brown 1 Black	4 Orange 3 Red 2 Brown 1 Black	5 Yellow 4 Orange 3 Red 2 Brown 1 Black	6 Green 5 Yellow 4 Orange 3 Red 2 Brown 1 Black
	Pin # Wire	Pin # Wire	Pin # Wire	Pin # Wire	Pin # Wire
C2					
	2P	3P	4P	5P	6P
C1					
	2P	3P	4P	5P	6P

Pin Assignments Front View

UNIT: mm

TOLERANCE ±0.5mm

TITLE ACC, XLOK, B-5A, DB-ENDED FF

SCALE 1:2 SIZE A4 SHEET 2 OF 2

REV. B WC-REV. .0

QC: Inspection item

Amphenol LTW

安費諾亮泰企業股份有限公司

ITEM NO	DRAWN BY Vicky	DATE 2020-01-20
DWG NO AB-BDXXFL-BDBR-QDXXX	CHECKED BY Rita	DATE 2020-01-20
CUSTOMER ALTW	APPROVED BY Max	DATE 2020-01-20