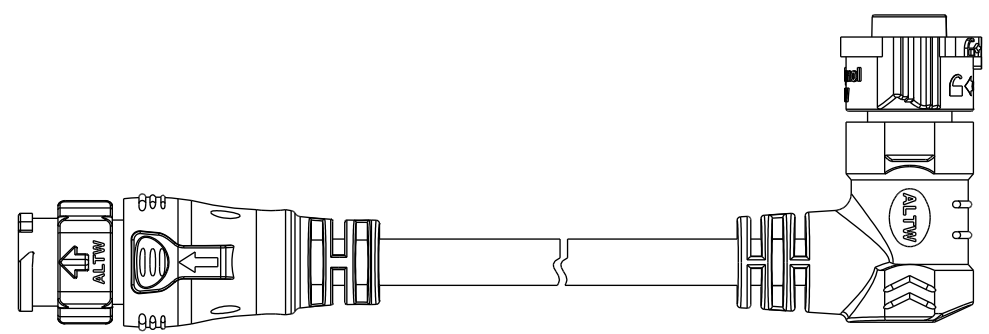
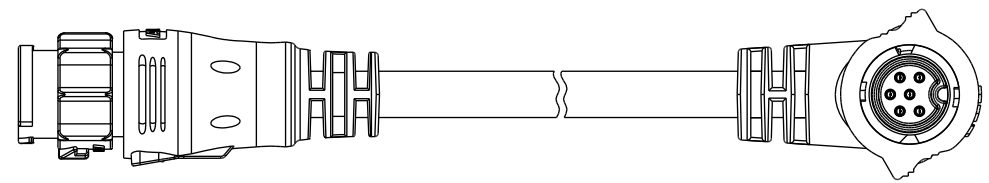
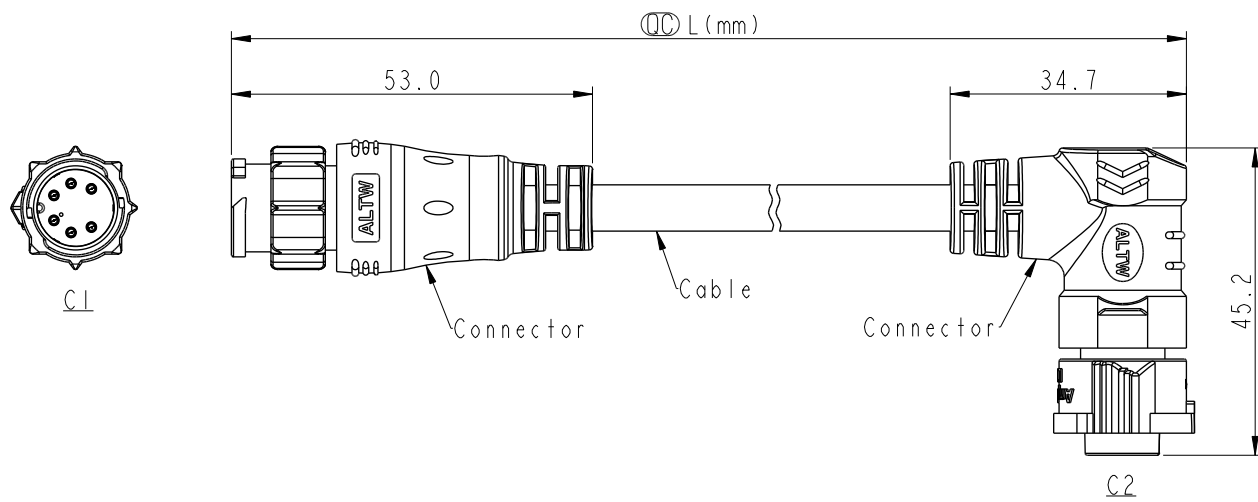


THIS DOCUMENT IS SUBJECT TO CHANGE WITHOUT NOTICE. IT IS CONFIDENTIAL AND A PROPERTY OF AMPHENOL LTW. DISCLOSURE TO THIRD PARTY HAS TO BE AUTHORIZED BY AMPHENOL LTW.

REV.	ECN NO.	DATE	SIGN	DESCRIPTION
A		2020/01/20	Vicky	Initial Released
B	C200652	2020/05/15	Wesley Lin	⚠️*1



Note:

- \* Ⓞ Important Dimension
- \* Waterproof Rate: IP68, Mated  
IP68: 1M depth of water in 24hours
- \* Connector: Thermoplastic, Black
- \* Pin: Copper Alloy, Gold Plated
- \* Cable: UL21388, PVC Jacket, Black
- \* Cable Length Tolerance: 0.5M: +60/-0mm  
01M: +60/-0mm  
02~03M: +120/-0mm  
04~05M: +160/-0mm  
06~10M: ±100mm  
11~20M: ±200mm  
21~30M: ±300mm  
31~99M: ±500mm

UNIT:mm	
TOLERANCE	±0.5mm

TITLE ACC, XLOK, B-5A, DB-ENDED MF		
SCALE 1:2	SIZE A4	SHEET 1 OF 2
REV. B	WC-REV. .0	Ⓞ: Inspection item

**Amphenol LTW**  
安費諾亮泰企業股份有限公司

ITEM NO.	DRAWN BY Vicky	DATE 2020-01-20
DWG NO. AB-BDXXML-BDBR-QDXXX	CHECKED BY Rita	DATE 2020-01-20
CUSTOMER ALTW	APPROVED BY Max	DATE 2020-01-20

THIS DOCUMENT IS SUBJECT TO CHANGE WITHOUT NOTICE. IT IS CONFIDENTIAL AND A PROPERTY OF Amphenol LTW. DISCLOSURE TO THIRD PARTY HAS TO BE AUTHORIZED BY Amphenol LTW.

6P	PVC	6.8	20	AB-BD06ML-BDBR-QDXXX
5P		6.2		AB-BD05ML-BDBR-QDXXX
4P		6.0		AB-BD04ML-BDBR-QDXXX
3P		5.5		AB-BD03ML-BDBR-QDXXX
2P		5.5		AB-BD02ML-BDBR-QDXXX
Contacts	Cable Jacket	Cable OD	AWG	Item No.

AB-BD XX ML-BDBR-QD XXX

02: 2Pin  
03: 3Pin  
04: 4Pin  
05: 5Pin  
06: 6Pin

XXX: 0.5~99Meters  
A05: 0.5 Meter  
001: 01 Meter  
002: 02 Meters  
:  
099: 99 Meters

Pin Out	2	3	4	5	6
	1 Black 2 Brown	1 Black 2 Brown 3 Red	1 Black 2 Brown 3 Red 4 Orange	1 Black 2 Brown 3 Red 4 Orange 5 Yellow	1 Black 2 Brown 3 Red 4 Orange 5 Yellow 6 Green
	Pin # Wire	Pin # Wire	Pin # Wire	Pin # Wire	Pin # Wire
	2P	3P	4P	5P	6P
	2P	3P	4P	5P	6P

Pin Assignments Front View

UNIT: mm

TOLERANCE ±0.5mm

TITLE ACC, XLOK, B-5A, DB-ENDED MF

SCALE 1:2 SIZE A4 SHEET 2 OF 2

REV. B WC-REV. .0

QC: Inspection item

**Amphenol LTW**

安費諾亮泰企業股份有限公司

ITEM NO	DRAWN BY Vicky	DATE 2020-01-20
DWG NO AB-BDXXML-BDBR-QDXXX	CHECKED BY Rita	DATE 2020-01-20
CUSTOMER ALTW	APPROVED BY Max	DATE 2020-01-20