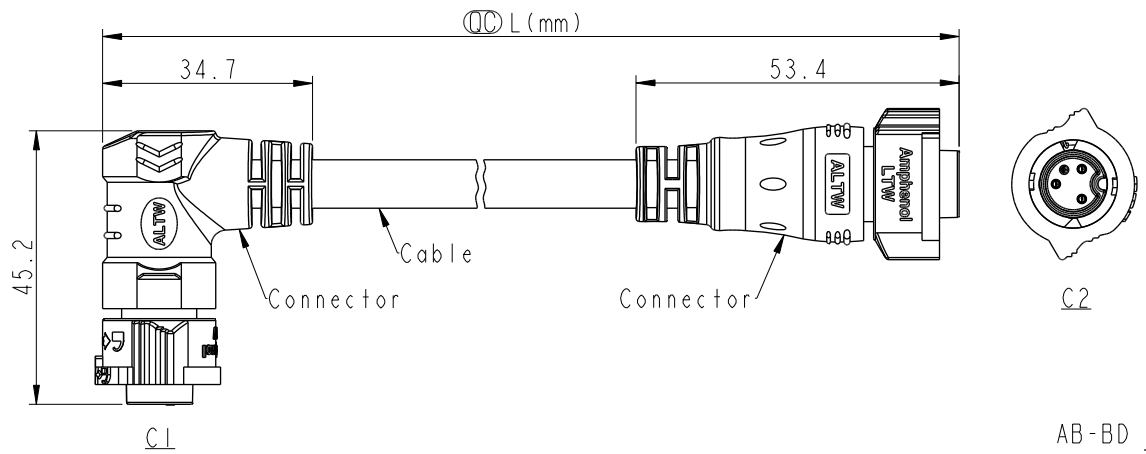


THIS DOCUMENT IS SUBJECT TO CHANGE WITHOUT NOTICE. IT IS CONFIDENTIAL AND A PROPERTY OF Amphenol LTW. DISCLOSURE TO THIRD PARTY HAS TO BE AUTHORIZED BY Amphenol LTW.

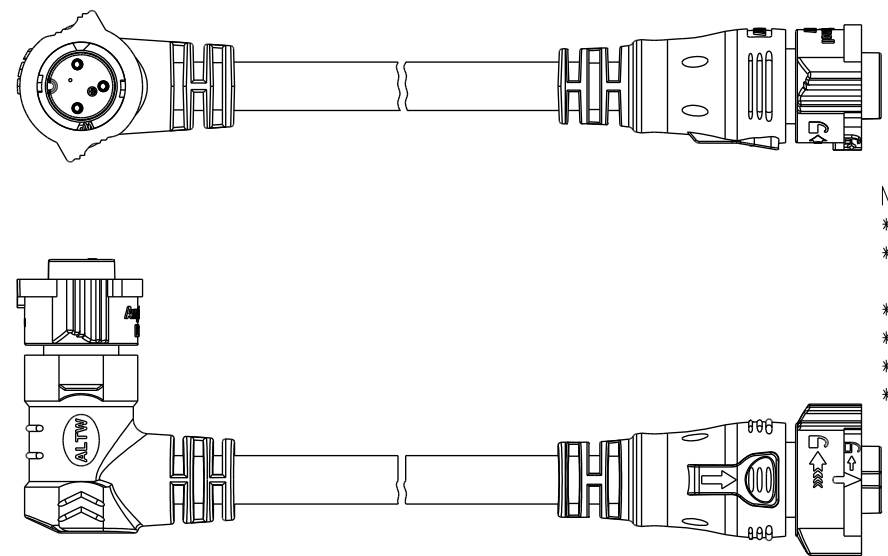
REV.	ECN NO.	DATE	SIGN	DESCRIPTION
A		2020/01/20	Vicky	Initial Released



AB-BD XX FR-BDBL-QE XXX

03: 3Pin

XXX: 0.5~99Meters
 A05: 0.5 Meter
 001: 01 Meter
 002: 02 Meters
 :
 099: 99 Meters



Note:

- * \varnothing Important Dimension
- * Waterproof Rate: IP68, Mated
IP68: 1M depth of water in 24hours
- * Connector: Thermoplastic, Black
- * Pin: Copper Alloy, Gold Plated
- * Cable: SJTW, 18#*3C, PVC Jacket, Black, OD8.0mm
- * Cable Length Tolerance: 0.5M: +60/-0mm
 01M: +60/-0mm
 02~03M: +120/-0mm
 04~05M: +160/-0mm
 06~10M: ±100mm
 11~20M: ±200mm
 21~30M: ±300mm
 31~99M: ±500mm

Pin Out	3 White 2 Green 1 Black	白 綠 黑
	Pin #	Wire
C2		3P
C1		3P

Pin Assignments Front View

UNIT:mm		TITLE	ACC, XLOK, B-5A, DB-ENDED FF
TOLERANCE	±0.5mm	SCALE	1:2
		SIZE	A4
		SHEET	1 OF 1
		REV.	A
		WC-REV.	A.5
		\varnothing	Inspection item

Amphenol LTW
 安費諾亮泰企業股份有限公司

ITEM NO	DRAWN BY	DATE
	Vicky	2020-01-20
DWG NO	CHECKED BY	DATE
AB-BDXXFR-BDBL-QEXXX	Rita	2020-01-20
CUSTOMER	APPROVED BY	DATE
ALTW	Max	2020-01-20