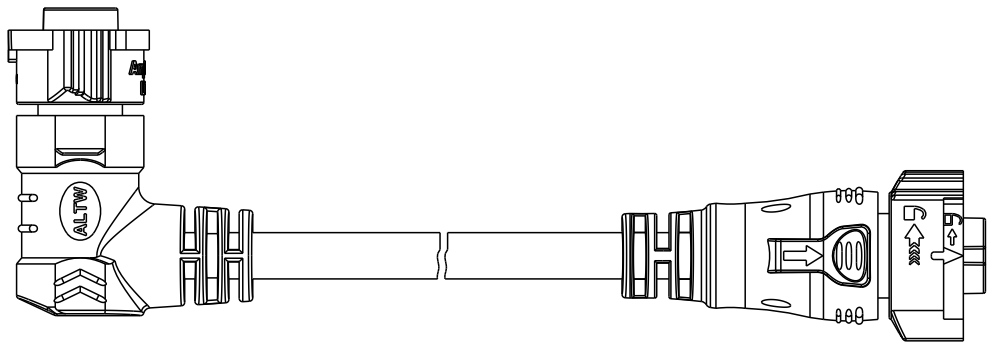
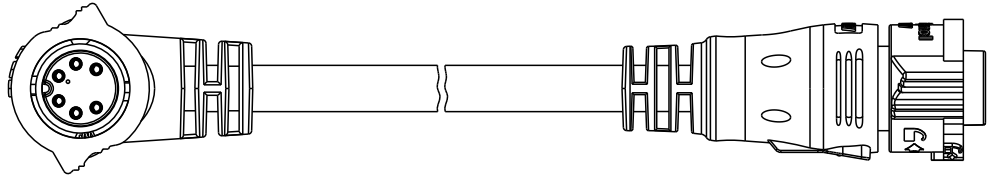
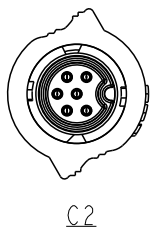
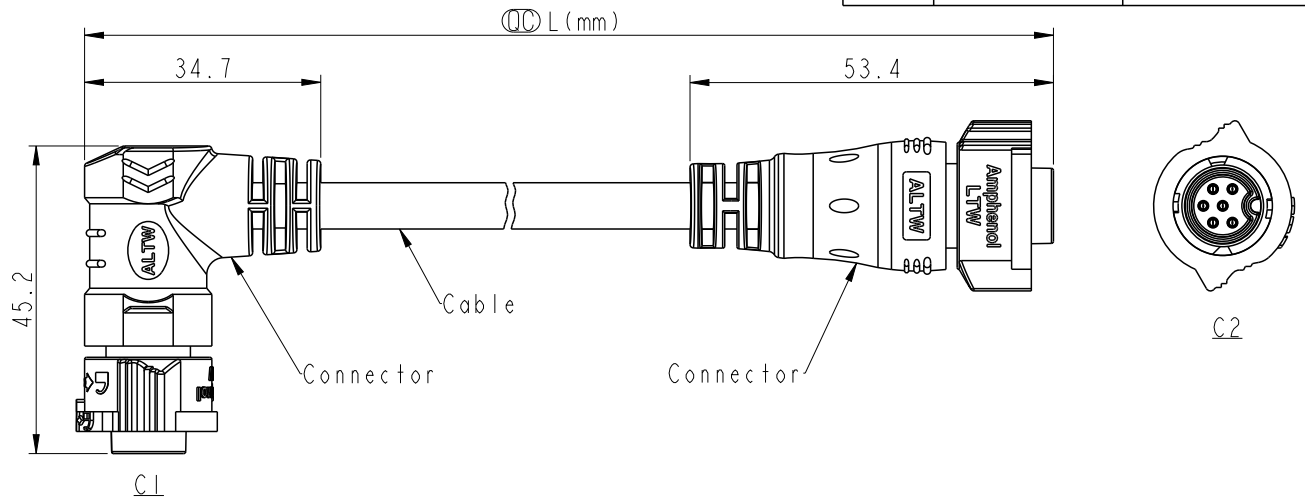


REV.	ECN NO.	DATE	SIGN	DESCRIPTION
A		2020/01/20	Vicky	Initial Released
B	C200696	2020/05/19	Angel Chou	$\triangle B \times I$



Note:

- * CC Important Dimension
- * Waterproof Rate: IP68, Mated
IP68: 1M depth of water in 24hours
- * Connector: Thermoplastic, Black
- * Pin: Copper Alloy, Gold Plated
- * Cable: UL21388, PVC Jacket, Black
- * Cable Length Tolerance: 0.5M: +60/-0mm
01M: +60/-0mm
02~03M: +120/-0mm
04~05M: +160/-0mm
06~10M: ± 100 mm
11~20M: ± 200 mm
21~30M: ± 300 mm
31~99M: ± 500 mm

UNIT:mm		TITLE	ACC, XLOK, B-5A, DB-ENDED FF		
TOLERANCE	± 0.5 mm	SCALE	1:2	SIZE	A4
		REV.	B	WC-REV.	A.5
				CC	Inspection item

Amphenol LTW
安費諾亮泰企業股份有限公司

ITEM NO	DRAWN BY	DATE
	Vicky	2020-01-20
DWG NO	CHECKED BY	DATE
AB-BDXXFR-BDBL-QDXXX	Rita	2020-01-20
CUSTOMER	APPROVED BY	DATE
ALTW	Max	2020-01-20

THIS DOCUMENT IS SUBJECT TO CHANGE WITHOUT NOTICE. IT IS CONFIDENTIAL AND A PROPERTY OF Amphenol LTW. DISCLOSURE TO THIRD PARTY HAS TO BE AUTHORIZED BY Amphenol LTW.

THIS DOCUMENT IS SUBJECT TO CHANGE WITHOUT NOTICE. IT IS CONFIDENTIAL AND A PROPERTY OF Amphenol LTW. DISCLOSURE TO THIRD PARTY HAS TO BE AUTHORIZED BY Amphenol LTW.

6P	PVC	6.8	20	AB-BD06FR-BDBL-QDXXX
5P		6.2		AB-BD05FR-BDBL-QDXXX
4P		6.0		AB-BD04FR-BDBL-QDXXX
3P		5.5		AB-BD03FR-BDBL-QDXXX
2P		5.5		AB-BD02FR-BDBL-QDXXX
Contacts	Cable Jacket	Cable OD	AWG	Item No.

AB-BD XX FR-BDBL-QD XXX

02: 2Pin
03: 3Pin
04: 4Pin
05: 5Pin
06: 6Pin

XXX: 0.5~99Meters
A05: 0.5 Meter
001: 01 Meter
002: 02 Meters
:
099: 99 Meters

Pin Out	2 Pin	3 Pin	4 Pin	5 Pin	6 Pin
	2 Brown 1 Black	3 Red 2 Brown 1 Black	4 Orange 3 Red 2 Brown 1 Black	5 Yellow 4 Orange 3 Red 2 Brown 1 Black	6 Green 5 Yellow 4 Orange 3 Red 2 Brown 1 Black
	Pin # Wire	Pin # Wire	Pin # Wire	Pin # Wire	Pin # Wire
C2					
	2P	3P	4P	5P	6P
C1					
	2P	3P	4P	5P	6P

Pin Assignments Front View

UNIT: mm TOLERANCE ±0.5mm	TITLE ACC, XLOK, B-5A, DB-ENDED FF		<h1>Amphenol LTW</h1> <p>安費諾亮泰企業股份有限公司</p>	ITEM NO	DRAWN BY Vicky	DATE 2020-01-20	
	SCALE 1:2	SIZE A4		SHEET 2 OF 2	DWG NO AB-BDXXFR-BDBL-QDXXX	CHECKED BY Rita	DATE 2020-01-20
	REV. B	WC-REV. A.5		QC: Inspection item	CUSTOMER ALTW	APPROVED BY Max	DATE 2020-01-20