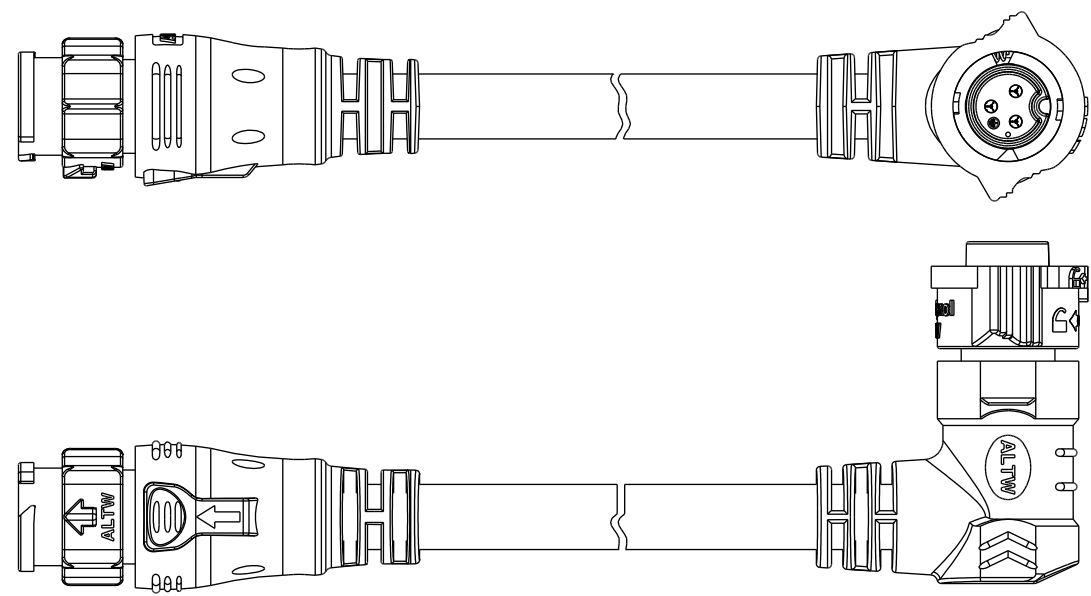
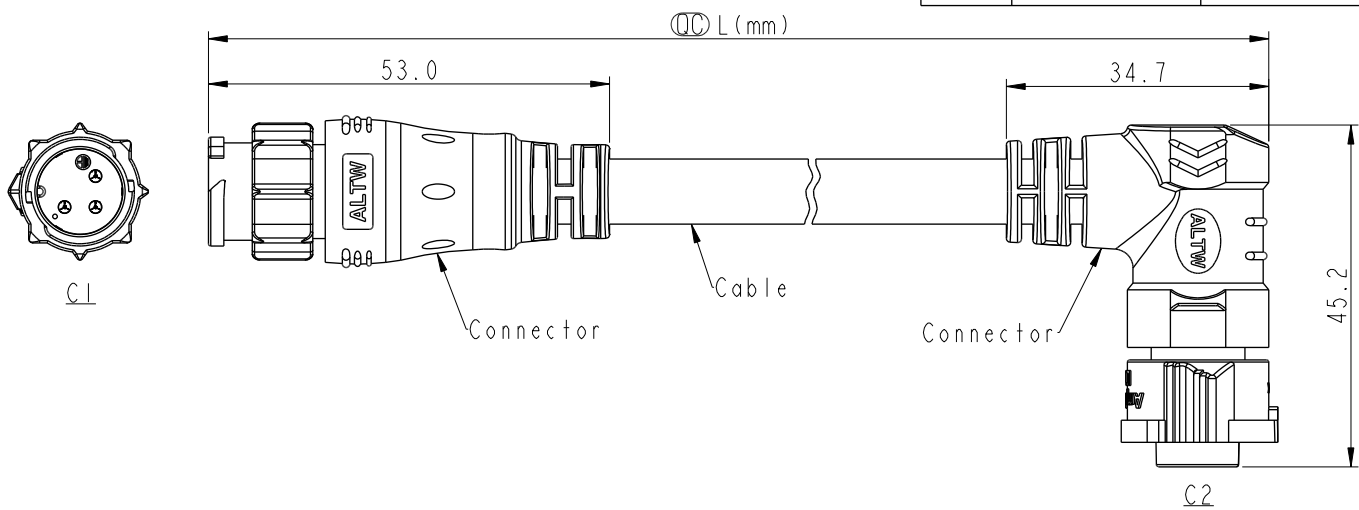


THIS DOCUMENT IS SUBJECT TO CHANGE WITHOUT NOTICE. IT IS CONFIDENTIAL AND A PROPERTY OF AMPHENOL LTW. DISCLOSURE TO THIRD PARTY HAS TO BE AUTHORIZED BY AMPHENOL LTW.

REV.	ECN NO.	DATE	SIGN	DESCRIPTION
A		2020/01/20	Vicky	Initial Released



- Note:
- \*  $\varnothing$  Important Dimension
  - \* Waterproof Rate: IP68, Mated  
IP68: 1M depth of water in 24hours
  - \* Connector: Thermoplastic, Black
  - \* Pin: Copper Alloy, Gold Plated
  - \* Cable: SJTW, PVC Jacket, Black
  - \* Cable Length Tolerance: 0.5M: +60/-0mm  
01M: +60/-0mm  
02~03M: +120/-0mm  
04~05M: +160/-0mm  
06~10M: ±100mm  
11~20M: ±200mm  
21~30M: ±300mm  
31~99M: ±500mm

UNIT:mm		
TOLERANCE	±0.5mm	

TITLE ACC, XLOK, B-10A, DB-ENDED MF		
SCALE 1:2	SIZE A4	SHEET 1 OF 2
REV. A	WC-REV. A.5	$\varnothing$ : Inspection item

**Amphenol LTW**  
安費諾亮泰企業股份有限公司

ITEM NO	DRAWN BY Vicky	DATE 2020-01-20
DWG NO AB-BBXXML-BBBR-QEXXX	CHECKED BY Rita	DATE 2020-01-20
CUSTOMER ALTW	APPROVED BY Max	DATE 2020-01-20

THIS DOCUMENT IS SUBJECT TO CHANGE WITHOUT NOTICE. IT IS CONFIDENTIAL AND A PROPERTY OF Amphenol LTW. DISCLOSURE TO THIRD PARTY HAS TO BE AUTHORIZED BY Amphenol LTW.

3P	PVC	8.6	16	AB-BB03ML-BBBR-QEXXX
2P		8.2		AB-BB02ML-BBBR-QEXXX
Contacts	Cable Jacket	Cable OD	AWG	Item No.

AB-BB XX ML-BBBR-QE XXX

02: 2Pin  
03: 3Pin

XXX: 0.5~99Meters  
A05: 0.5 Meter  
001: 01 Meter  
002: 02 Meters  
:  
099: 99 Meters

Pin Out	2	White	白	3	Green	綠
	1	Black	黑	2	White	白
				1	Black	黑
	Pin #	Wire		Pin #	Wire	
C2						
	2P			3P		
C1						
	2P			3P		

Pin Assignments Front View

UNIT:mm		TITLE	ACC, XLOK, B-10A, DB-ENDED MF	
TOLERANCE	±0.5mm	SCALE	1:2	SIZE A4
		REV.	A	WC-REV. A.5
				SHEET 2 OF 2
				QC: Inspection item

**Amphenol LTW**  
安費諾亮泰企業股份有限公司

ITEM NO		DRAWN BY	Vicky	DATE	2020-01-20
DWG NO	AB-BBXXML-BBBR-QEXXX	CHECKED BY	Rita	DATE	2020-01-20
CUSTOMER	ALTW	APPROVED BY	Max	DATE	2020-01-20