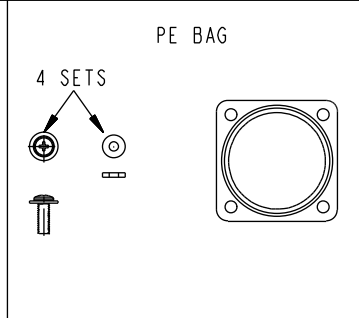
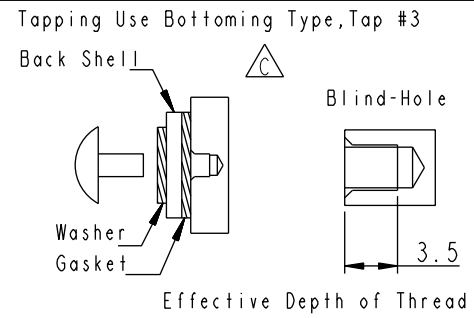
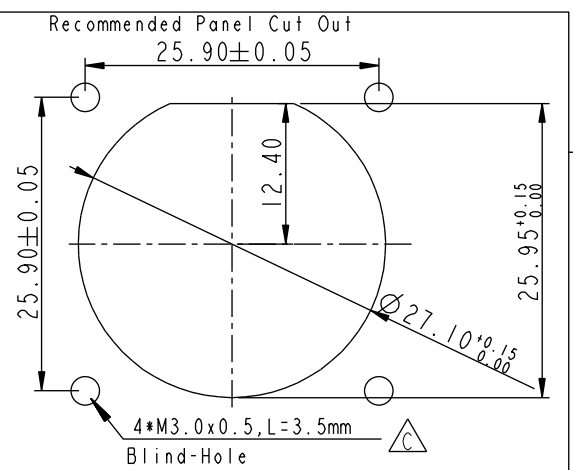
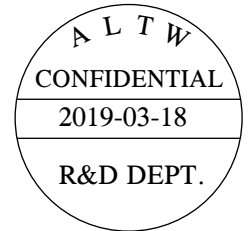
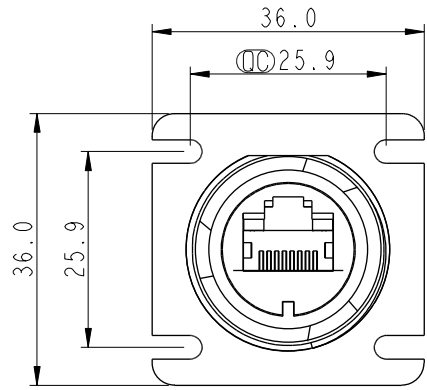
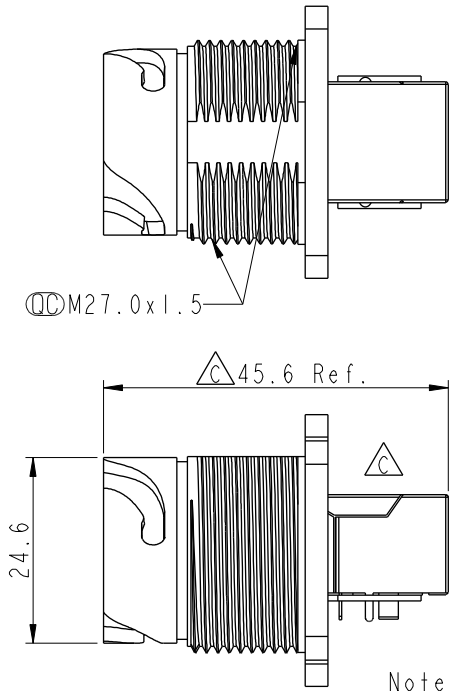
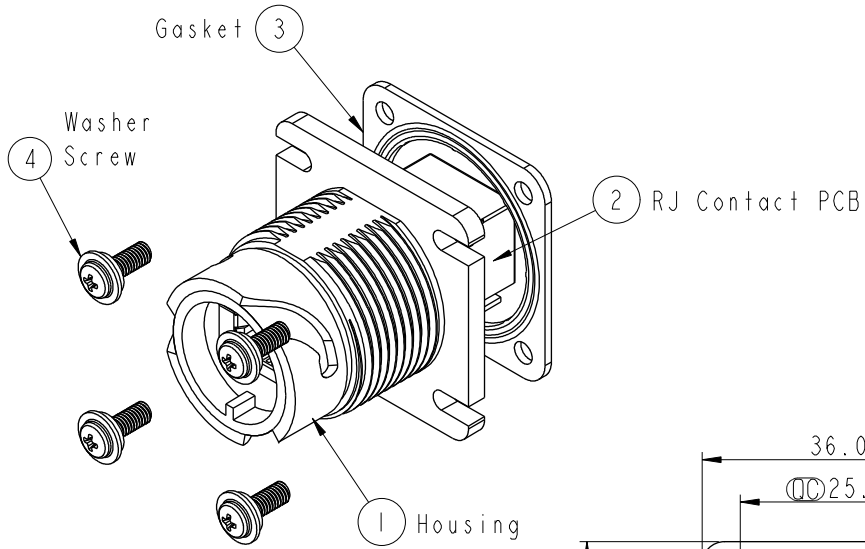


THIS DOCUMENT IS SUBJECT TO CHANGE WITHOUT NOTICE. IT IS CONFIDENTIAL AND A PROPERTY OF Amphenol LTW. DISCLOSURE TO THIRD PARTY HAS TO BE AUTHORIZED BY Amphenol LTW.

| REV. | ECN NO.    | DATE       | SIGN    | DESCRIPTION         |
|------|------------|------------|---------|---------------------|
| D    | LEN1610154 | 2016-01-08 | Ruru    | Change Note         |
| E    | LEN16B0209 | 2016-11-22 | Feng_Li | Modify Gasket Shape |
| F    | CI90405    | 2019/03/18 | Ruru    | Modify Note         |



- Note:  $\triangle$
- \*  $\varnothing$  Important Dimension
  - \*  $\triangle$  Waterproof Rate: IP67, Unmated
  - \* Housing: Thermoplastic, Black
  - \* RJ45 Jack: Cat 5e, Shield
  - \*  $\triangle$  Gasket: Rubber, Black
  - \* Screw: M3.0x L=8.0mm
  - \* Contact: Copper Alloy, Gold Plated
  - \* Screw torsion value range: 1.5~2kgf-cm
  - \* Temperature Range: -40°C to 105°C
  - \* All Parts Should Meet RoHS Compliant
  - \* Gasket are packed separately in PE bags

|           |                 |                      |
|-----------|-----------------|----------------------|
| UNIT: mm  |                 |                      |
| TOLERANCE | .X $\pm 0.25$   | .XX $\pm 0.1$        |
|           | .XXX $\pm 0.05$ | ANGLES $\pm 1^\circ$ |

|                                                             |                |                                 |  |
|-------------------------------------------------------------|----------------|---------------------------------|--|
| TITLE<br>RJ45 ODVA, PANEL, FRONT LOCK<br>UNMATED WATERPROOF |                |                                 |  |
| SCALE<br>1:1                                                | SIZE<br>A4     | SHEET 1 OF 1                    |  |
| REV.<br>F                                                   | WC-REV.<br>A.3 | $\varnothing$ : Inspection item |  |

**Amphenol LTW**  
安費諾亮泰企業股份有限公司

|                                |                    |                    |
|--------------------------------|--------------------|--------------------|
| ITEM NO.<br>ROP-5SPFFH-TSU7001 | DRAWN BY<br>Ruru   | DATE<br>2019-03-18 |
| DWG NO.<br>ROP-5SPFFH-TSU7001  | CHECKED BY<br>Rita | DATE<br>2019-03-18 |
| CUSTOMER<br>ALTW               | APPROVED BY<br>Max | DATE<br>2019-03-18 |