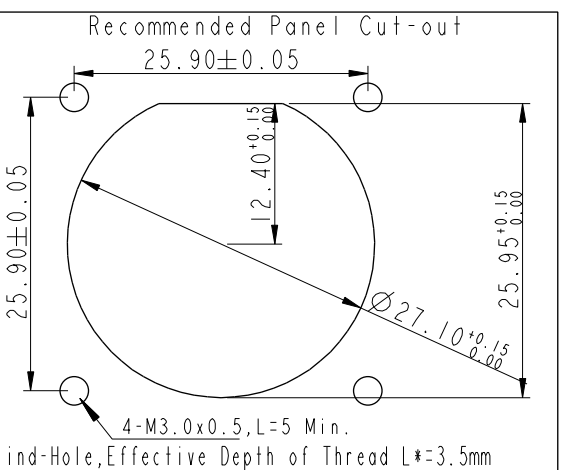
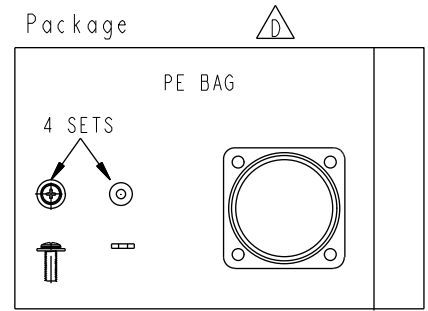
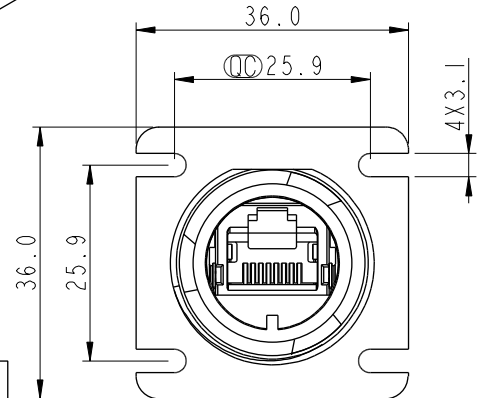
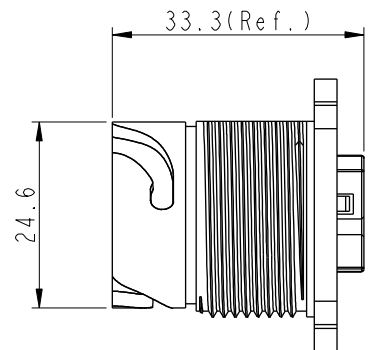
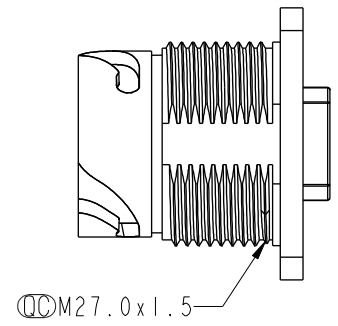
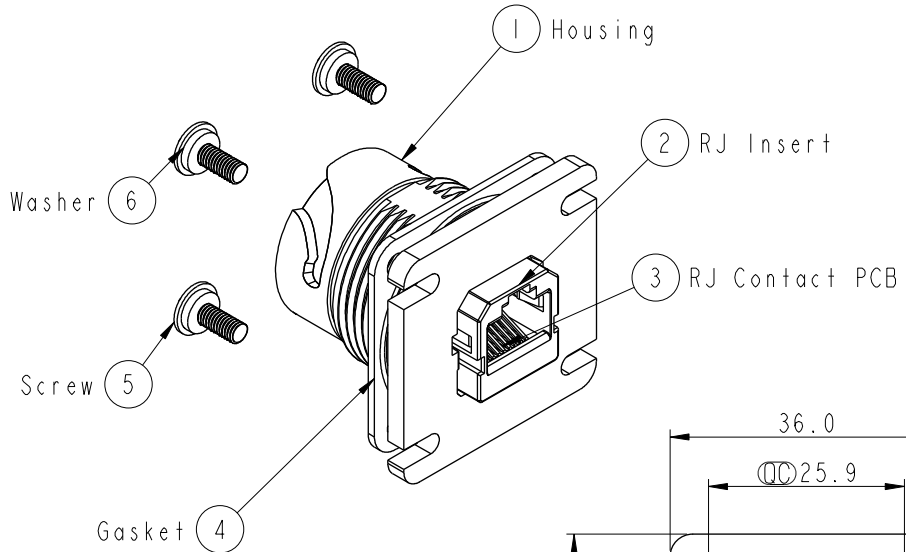


REV.	ECN NO.	DATE	SIGN	DESCRIPTION
C	LEN1610153	2016/01/08	Ruru	Change Note
D	LEN1670656	2016/07/19	Feng_Li	Modify Gasket Shape
E	CI90405	2019/03/18	Ruru	Modify Note



ALTW
 CONFIDENTIAL
 2019-03-18
 R&D DEPT.

- Note: E
- * M Important Dimension
 - * Waterproof Rate: IP67, Mated
 - * Housing: Thermoplastic, Black
 - * RJ45 Jack: Cat 5e, Shield
 - C * Gasket: Rubber, Black
 - * Screw: M3.0x L=8.0mm
 - * Contact: Copper Alloy, Gold Plated
 - B * Screw torsion value range: 1.5-2kgf-cm
 - B * Temperature Range: -40°C to 105°C
 - B * All Parts Should Meet RoHS Compliant
 - * Gasket and Nut are packed separately in PE bags

UNIT: mm			TITLE
TOLERANCE	.X ±0.25	.XX ±0.1	RJ45 ODVA, PANEL, DOUBLE LOCK
.XXX ±0.05	ANGLES ±1°	SCALE 1:1	SIZE A4
		REV. E	WC-REV. B.5
			M : Inspection item

Amphenol LTW
 安費諾亮泰企業股份有限公司

ITEM NO	ROP-5SPFFH-TSM7001	DRAWN BY	Ruru	DATE	2019-03-18
DWG NO	ROP-5SPFFH-TSM7001	CHECKED BY	Rita	DATE	2019-03-18
CUSTOMER	ALTW	APPROVED BY	Max	DATE	2019-03-18

THIS DOCUMENT IS SUBJECT TO CHANGE WITHOUT NOTICE. IT IS CONFIDENTIAL AND A PROPERTY OF Amphenol LTW. DISCLOSURE TO THIRD PARTY HAS TO BE AUTHORIZED BY Amphenol LTW.