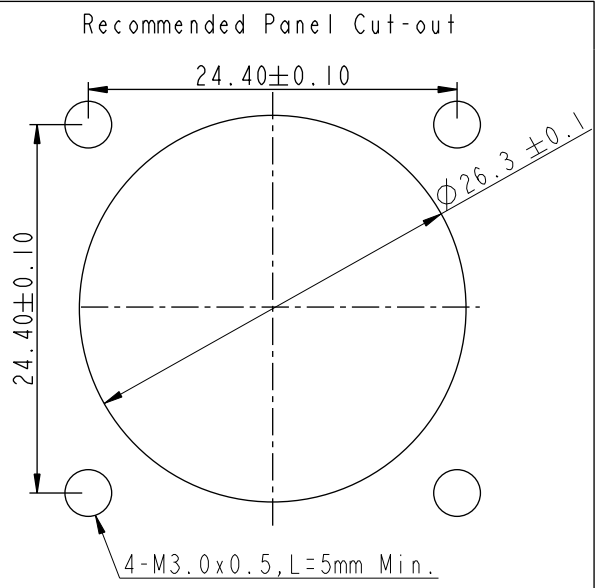
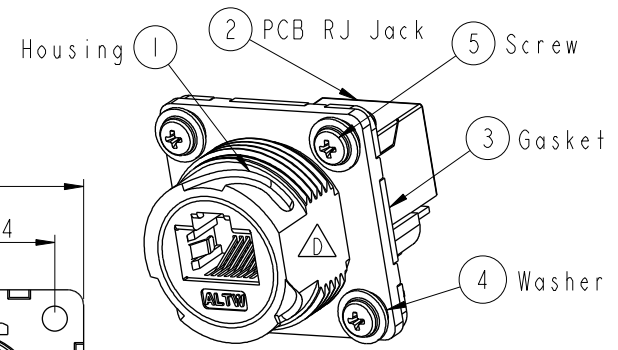
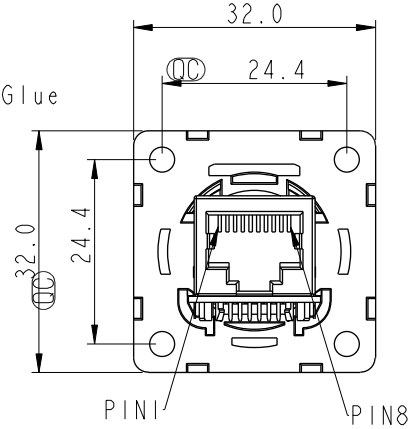
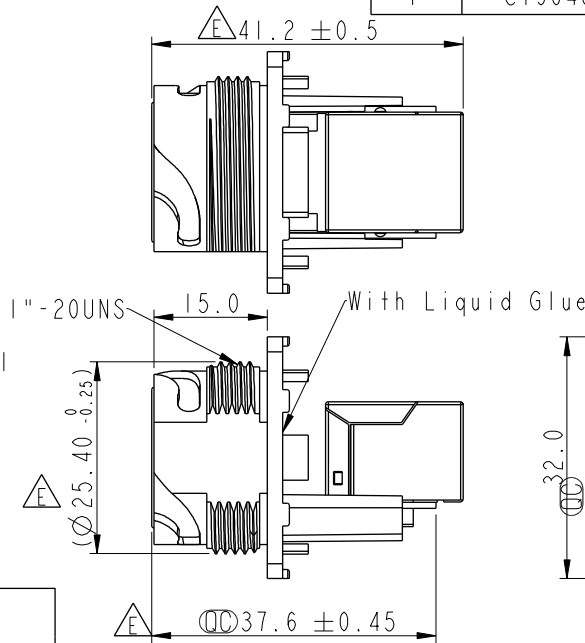
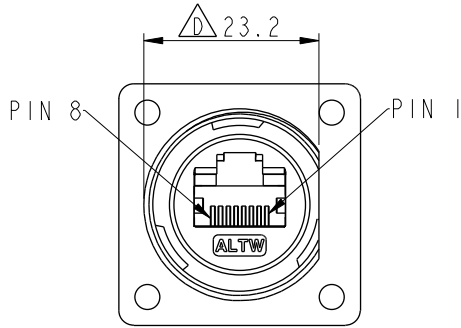


ALTW
CONFIDENTIAL
2019-03-15
R&D DEPT.

REV.	ECN NO.	DATE	SIGN	DESCRIPTION
E	LEN1810075	2017-11-29	Jalam	Change The Tolerance
F	CI90405	2019/03/15	Ruru	Modify Note



- Note: \triangle \triangle \triangle
- * CC Important Dimension
 - * Waterproof Rate: IP67, Unmated
 - * Housing: Thermoplastic, Black
 - * Screw : SUS30X, M3.0x0.5, L8.0
 - * Gasket: Rubber, Gray
 - * PCB: FR-4
 - * Jack: Thermoplastic
 - * Screw torsion value range: 3~3.5kgf-cm
 - * Temperature Range: -40°C to 105°C

UNIT: mm			TITLE RJ45, D SIZE, UNMATED WATERPROOF SQUARE
TOLERANCE .X ±0.25 .XX ±0.1 .XXX ±0.05 ANGLES ±1°	SCALE 1:1	SIZE A4	SHEET 1 OF 2
	REV. F	WC-REV. C.6	CC : Inspection item

Amphenol LTW
安費諾亮泰企業股份有限公司

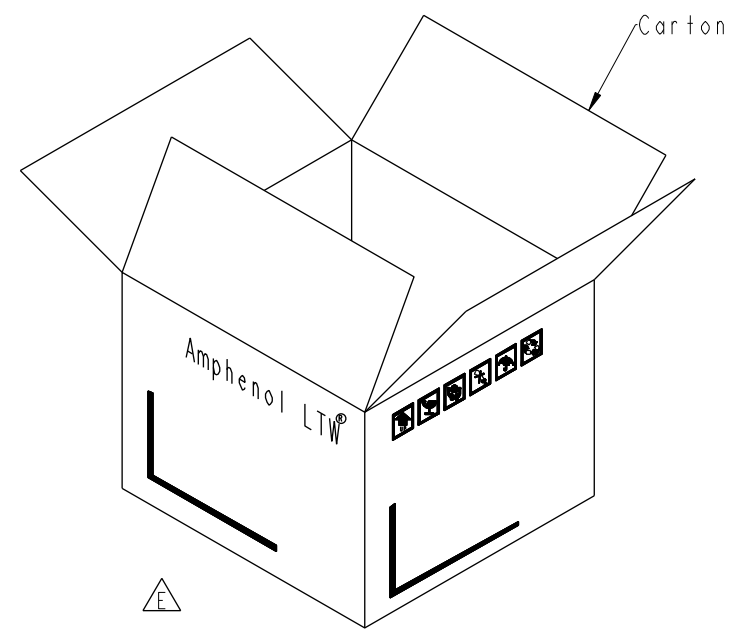
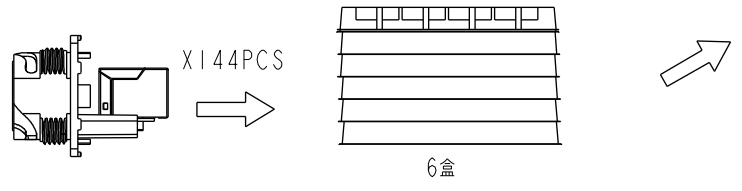
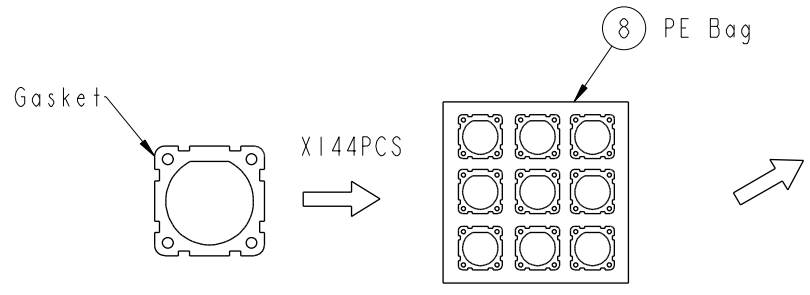
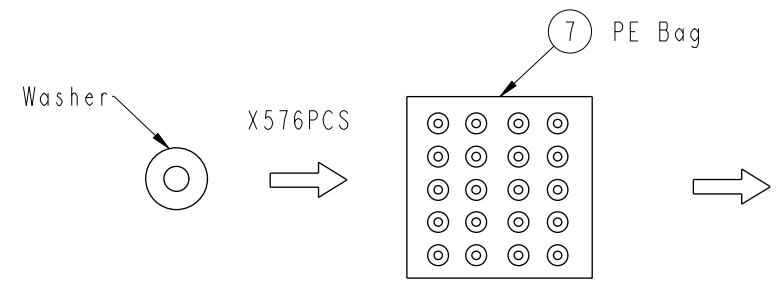
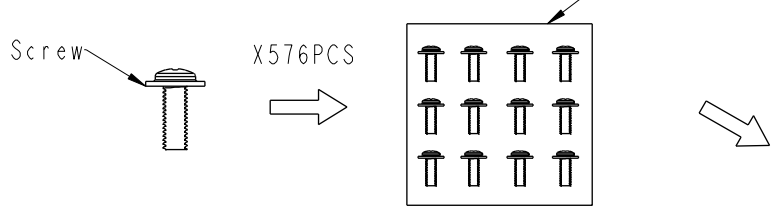
ITEM NO. RDP-5SPFFH-TSU7001	DRAWN BY Ruru	DATE 2019-03-15
DWG NO. RDP-5SPFFH-TSU7001	CHECKED BY Rita	DATE 2019-03-15
CUSTOMER ALTW	APPROVED BY Max	DATE 2019-03-15

THIS DOCUMENT IS SUBJECT TO CHANGE WITHOUT NOTICE. IT IS CONFIDENTIAL AND A PROPERTY OF AMPHENOL LTW. DISCLOSURE TO THIRD PARTY HAS TO BE AUTHORIZED BY AMPHENOL LTW.

THIS DOCUMENT IS SUBJECT TO CHANGE WITHOUT NOTICE. IT IS CONFIDENTIAL AND A PROPERTY OF AMPHENOL LTW. DISCLOSURE TO THIRD PARTY HAS TO BE AUTHORIZED BY AMPHENOL LTW.

ALTW
 CONFIDENTIAL
 2019-03-15
 R&D DEPT.

Packing



Note:
 * Important Dimension
 * IPCS產品配IPCS Gasket, 4PCS Washer, 4PCS Screw
 * 配件的出貨數量參考實際產品出貨數量

UNIT: mm		
TOLERANCE	±0.25	
.X	±0.1	
.XX	±0.05	
.XXX	±0.05	
ANGLES	±1°	

TITLE RJ45, D SIZE, UNMATED WATERPROOF SQUARE			
SCALE 1:1	SIZE A4	SHEET 2 OF 2	
REV. F	WC-REV. C.6	Inspection item	

Amphenol LTW
 安費諾亮泰企業股份有限公司

ITEM NO RDP-5SPFFH-TSU7001	DRAWN BY Ruru	DATE 2019-03-15
DWG NO RDP-5SPFFH-TSU7001	CHECKED BY Rita	DATE 2019-03-15
CUSTOMER ALTW	APPROVED BY Max	DATE 2019-03-15