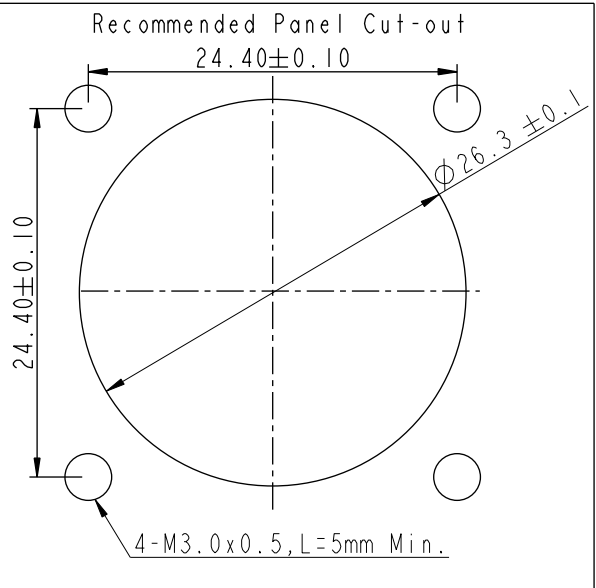
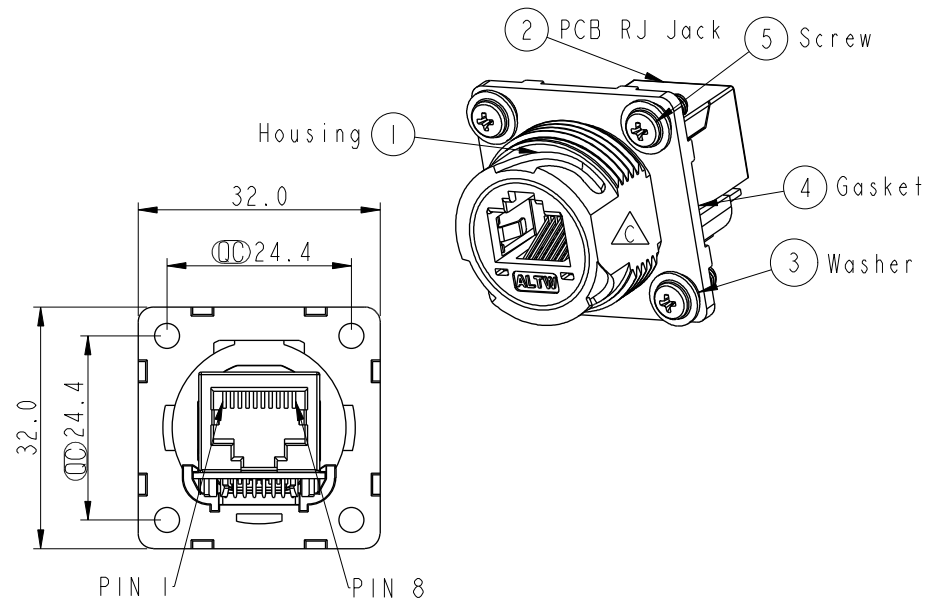
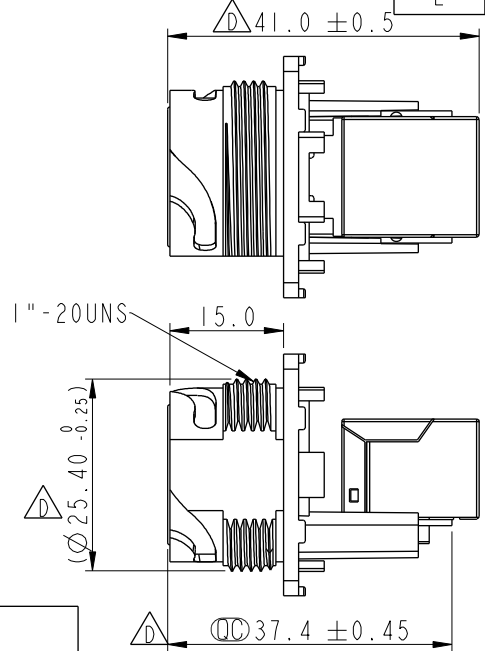
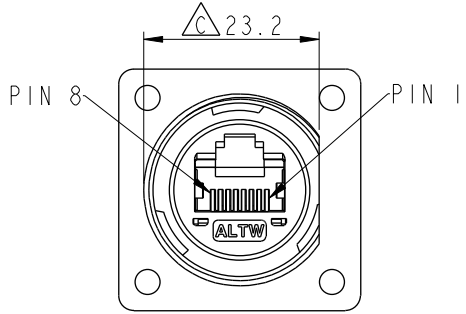


REV.	ECN NO.	DATE	SIGN	DESCRIPTION
D	LEN1810074	2017-11-29	Jalam	Modify The Tolerance
E	CI90405	2019/03/15	Ruru	Modify Note

ALTW
 CONFIDENTIAL
 2019-03-15
 R&D DEPT.



- Note: \triangle \triangle \triangle
- * CC Important Dimension
 - * Waterproof Rate : IP67, Mated
 - * Housing: Thermoplastic, Black
 - * Screw : SUS30X,M3.0x0.5,L8.0
 - * Gasket: Rubber, Gray
 - * PCB: FR-4
 - * Jack: Thermoplastic
 - * \triangle Screw torsion value range: 3~3.5kgf-cm
 - * Temperature Range: -40°C to 105°C

UNIT: mm			TITLE RJ45, D SIZE, MATED WATERPROOF SQUARE
TOLERANCE .X ±0.25 .XX ±0.1 .XXX ±0.05 ANGLES ±1°	SCALE 1:1	SIZE A4	SHEET 1 OF 2
	REV. E	WC-REV. B.5	CC : Inspection item

Amphenol LTW
 安費諾亮泰企業股份有限公司

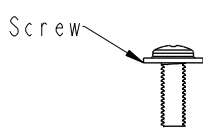
ITEM NO RDP-5SPFFH-TSM7001	DRAWN BY Ruru	DATE 2019-03-15
DWG NO RDP-5SPFFH-TSM7001	CHECKED BY Rita	DATE 2019-03-15
CUSTOMER ALTW	APPROVED BY Max	DATE 2019-03-15

THIS DOCUMENT IS SUBJECT TO CHANGE WITHOUT NOTICE. IT IS CONFIDENTIAL AND A PROPERTY OF AMPHENOL LTW. DISCLOSURE TO THIRD PARTY HAS TO BE AUTHORIZED BY AMPHENOL LTW.

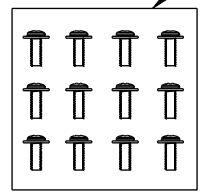
THIS DOCUMENT IS SUBJECT TO CHANGE WITHOUT NOTICE. IT IS CONFIDENTIAL AND A PROPERTY OF Amphenol LTW. DISCLOSURE TO THIRD PARTY HAS TO BE AUTHORIZED BY Amphenol LTW.

ALTW
 CONFIDENTIAL
 2019-03-15
 R&D DEPT.

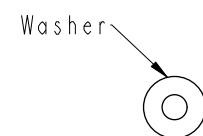
△ Packing



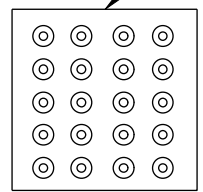
X576PCS



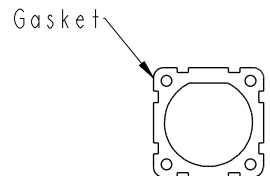
⑥ PE Bag



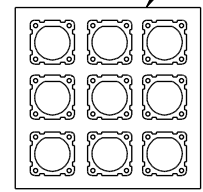
X576PCS



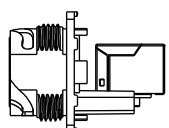
⑦ PE Bag



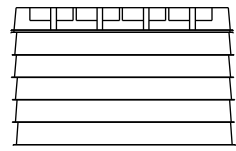
X144PCS



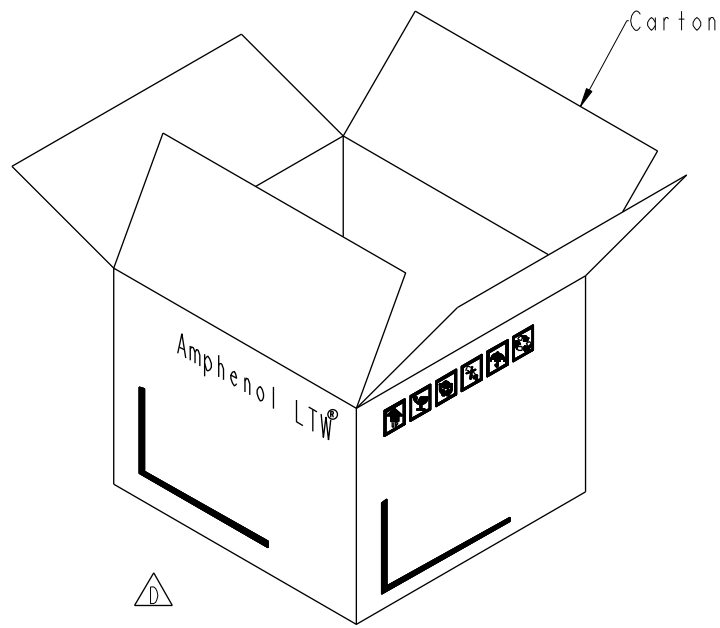
⑧ PE Bag



X144PCS



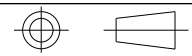
6盒



Note:

- * Important Dimension
- * 1PCS產品配1PCS Gasket, 4PCS Washer, 4PCS Screw
- * 配件的出貨數量參考實際產品出貨數量

UNIT: mm



TOLERANCE
 .X ±0.25
 .XX ±0.1
 .XXX ±0.05
 ANGLES ±1°

TITLE RJ45, D SIZE, MATED WATERPROOF SQUARE			
SCALE 1:1	SIZE A4	SHEET 2 OF 2	
REV. E	WC-REV. A.4	QC: Inspection item	

Amphenol LTW
 安費諾亮泰企業股份有限公司

ITEM NO RDP-5SPFFH-TSM7001	DRAWN BY Ruru	DATE 2019-03-15
DWG NO RDP-5SPFFH-TSM7001	CHECKED BY Rita	DATE 2019-03-15
CUSTOMER ALTW	APPROVED BY Max	DATE 2019-03-15