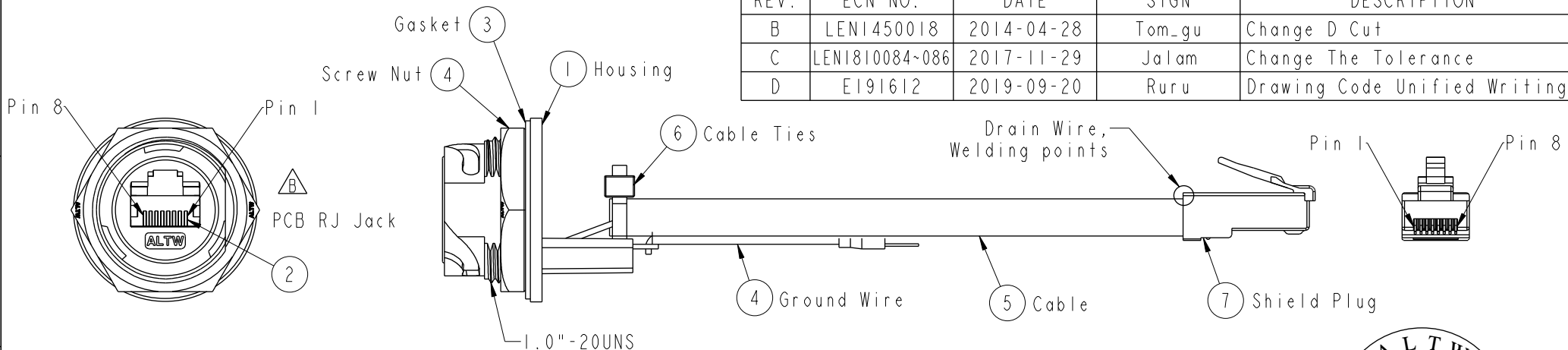


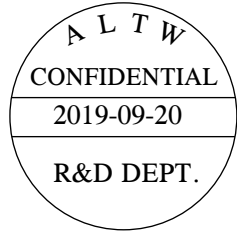
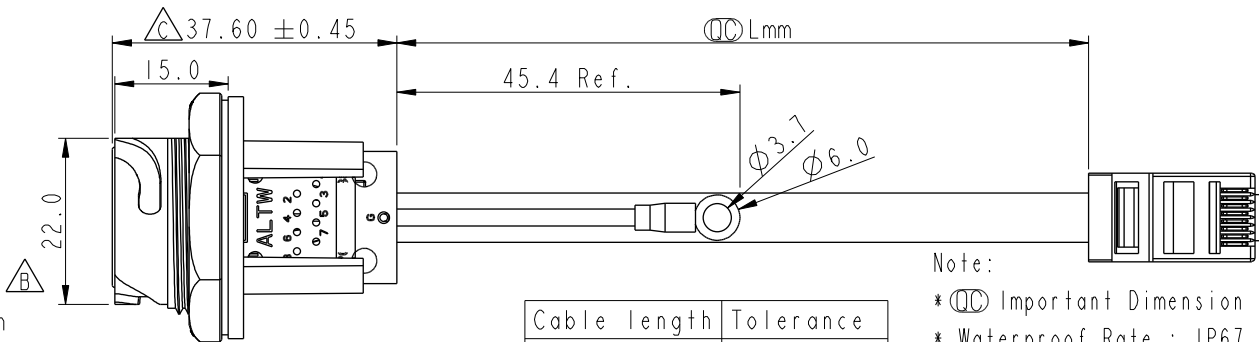
THIS DOCUMENT IS SUBJECT TO CHANGE WITHOUT NOTICE. IT IS CONFIDENTIAL AND A PROPERTY OF Amphenol LTW. DISCLOSURE TO THIRD PARTY HAS TO BE AUTHORIZED BY Amphenol LTW.

REV.	ECN NO.	DATE	SIGN	DESCRIPTION
B	LEN1450018	2014-04-28	Tom_gu	Change D Cut
C	LEN1810084-086	2017-11-29	Jalam	Change The Tolerance
D	E191612	2019-09-20	Ruru	Drawing Code Unified Writing



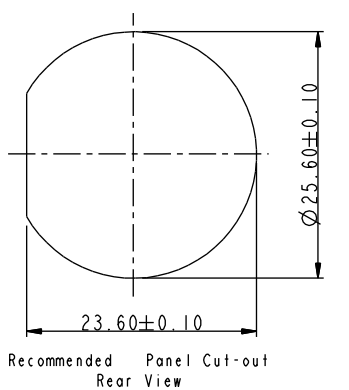
RDP-5SPFFG-TCU7BXX \triangle

10: 100mm
15: 150mm
20: 200mm
f
A0: 1000mm
Cable Pitch Unit=50mm
Cable Length (L): 100~1000 mm

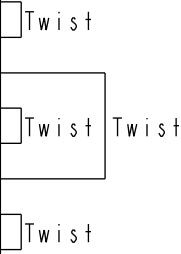


Cable length	Tolerance
0.0~100 mm	±10 mm
101~300 mm	±15 mm
301~1000 mm	±20 mm

- Note:
- * \odot Important Dimension
 - * Waterproof Rate : IP67, UNMATED WATERPROOF
 - * Housing : Nylon+GF, BLACK
 - * Screw Nut : Nylon+GF, BLACK
 - * Gasket : Silicone, UL 94V-0, Gray.
 - * PCB: FR-4
 - * Cable: CAT5E FTP 24#*4P+D+AL/MY, 6.5
 - * \triangle Ground Terminal: Brass, Tin Plated, Thickness: 0.4mm
 - * Jack : PBT Polyester UL 94V-0
 - * Use with waterproof cap or dust cap for Panel Thickness Max: 1.3mm
 - * Use without waterproof cap or dust cap for Panel Thickness Max: 2.5mm
 - * Screw torsion value range: 8~15kgf-cm



Ground	Wire (20AWG)	Green	Terminal
Shield	Drain Wire	接地線	Shield
8	Brown	棕	8
7	White/Brown	白/棕	7
6	Green	綠	6
5	White/Blue	白/藍	5
4	Blue	藍	4
3	White/Green	白/綠	3
2	Orange	橘	2
1	White/Orange	白/橘	1
Jack	Wire Color		Plug
	Pin Out		



UNIT: mm		TITLE		ITEM NO		DRAWN BY		DATE	
		RJ45, D SIZE, UNMATED WATERPROOF ADD GROUND WIRE		RDP-5SPFFG-TCU7BXX		Ruru		2019-09-20	
TOLERANCE		SCALE	SIZE	SHEET	OF	CHECKED BY		DATE	
.X ±0.25		1:1	A4	1	1	Rita		2019-09-20	
.XX ±0.1		REV.	WC-REV.	Inspection item		APPROVED BY		DATE	
.XXX ±0.05		D	A.7			Max		2019-09-20	
ANGLES ±1°				CUSTOMER					
				ALTW					

Amphenol LTW
安費諾亮泰企業股份有限公司