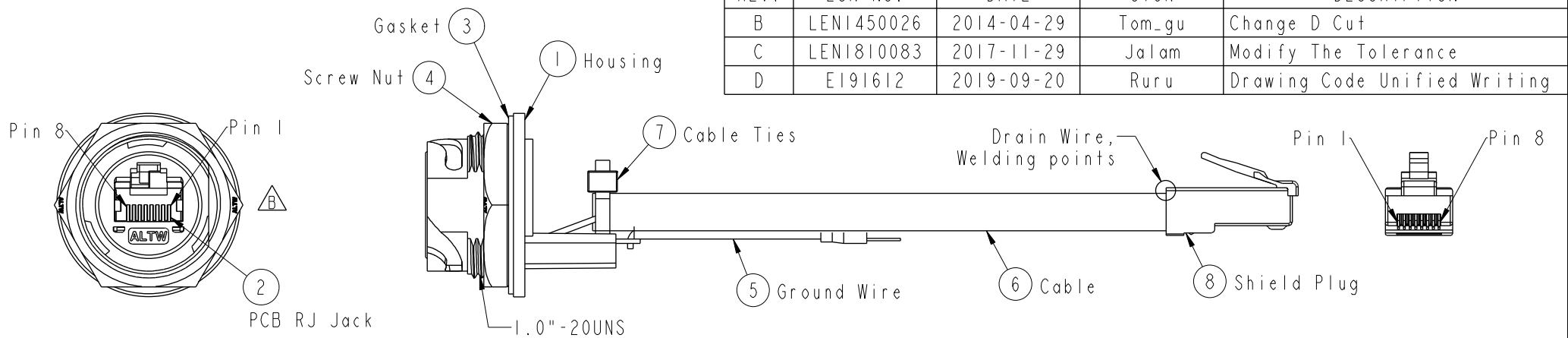


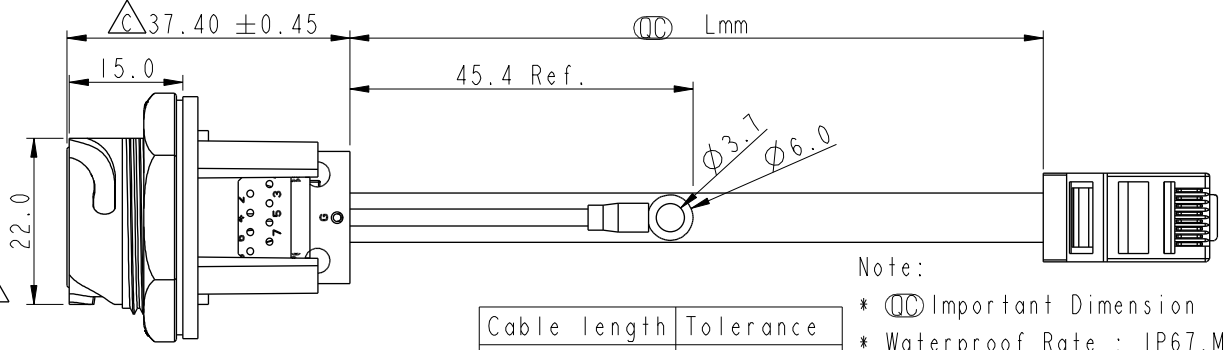
THIS DOCUMENT IS SUBJECT TO CHANGE WITHOUT NOTICE. IT IS CONFIDENTIAL AND A PROPERTY OF Amphenol LTW. DISCLOSURE TO THIRD PARTY HAS TO BE AUTHORIZED BY Amphenol LTW.

REV.	ECN NO.	DATE	SIGN	DESCRIPTION
B	LEN1450026	2014-04-29	Tom_gu	Change D Cut
C	LEN1810083	2017-11-29	Jalam	Modify The Tolerance
D	EI91612	2019-09-20	Ruru	Drawing Code Unified Writing



RDP-5SPFFG-TCM7BXX $\triangle D$

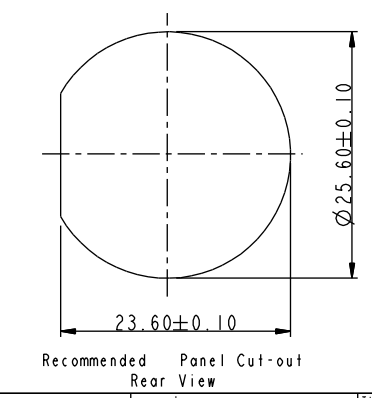
10:100mm
15:150mm
20:200mm
A0:1000mm
Cable Pitch Unit=50mm
Cable Length (L):100~1000 mm



Cable length	Tolerance
0.0~100 mm	±10 mm
101~300 mm	±15 mm
301~1000 mm	±20 mm

- Note:
- * Ⓞ Important Dimension
 - * Waterproof Rate : IP67, MATED WATERPROOF
 - * Housing : Nylon+GF, BLACK
 - * Screw Nut : Nylon+GF, BLACK
 - * Gasket : Silicone, UL 94V-0, Gray.
 - * PCB: FR-4
 - * Cable: CAT5E FTP 24#*4P+D+AL/MY, 6.5
 - * $\triangle B$ Ground Terminal: Brass, Tin Plated, Thickness: 0.4mm
 - * Jack : PBT Polyester UL 94V-0
 - * Use with waterproof cap or dust cap for Panel Thickness Max: 1.3mm
 - * Use without waterproof cap or dust cap for Panel Thickness Max: 2.5mm
 - * Screw torsion value range: 8~15kgf-cm

Ground	Wire (20AWG)	Green	Terminal
Shield	Drain Wire	接地線	Shield
8	Brown	棕	8
7	White/Brown	白/棕	7
6	Green	綠	6
5	White/Blue	白/藍	5
4	Blue	藍	4
3	White/Green	白/綠	3
2	Orange	橘	2
1	White/Orange	白/橘	1
Jack	Wire Color		Plug
	Pin Out		



UNIT: mm

TOLERANCE

.X	±0.25
.XX	±0.1
.XXX	±0.05
ANGLES	±1°

TITLE: RJ45, D SIZE, MATED WATERPROOF ADD GROUND WIRE

SCALE: 1:1	SIZE: A4	SHEET: 1 OF 1
REV: D	WC-REV: A.7	Ⓞ : Inspection item

Amphenol LTW
安費諾亮泰企業股份有限公司

ITEM NO	DRAWN BY: Ruru	DATE: 2019-09-20
DWG NO: RDP-5SPFFG-TCM7BXX	CHECKED BY: Rita	DATE: 2019-09-20
CUSTOMER: ALTW	APPROVED BY: Max	DATE: 2019-09-20