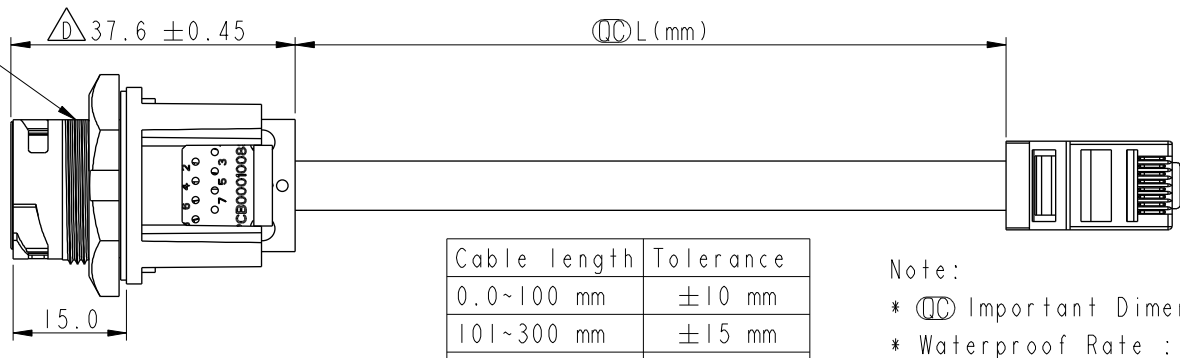
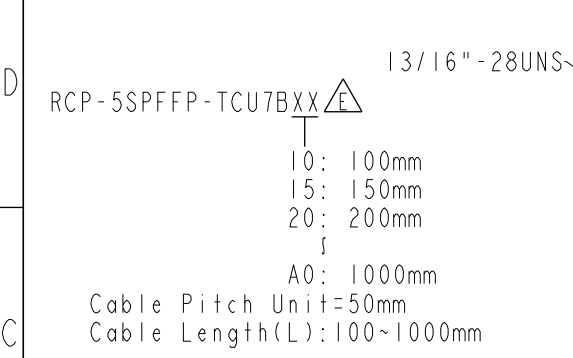
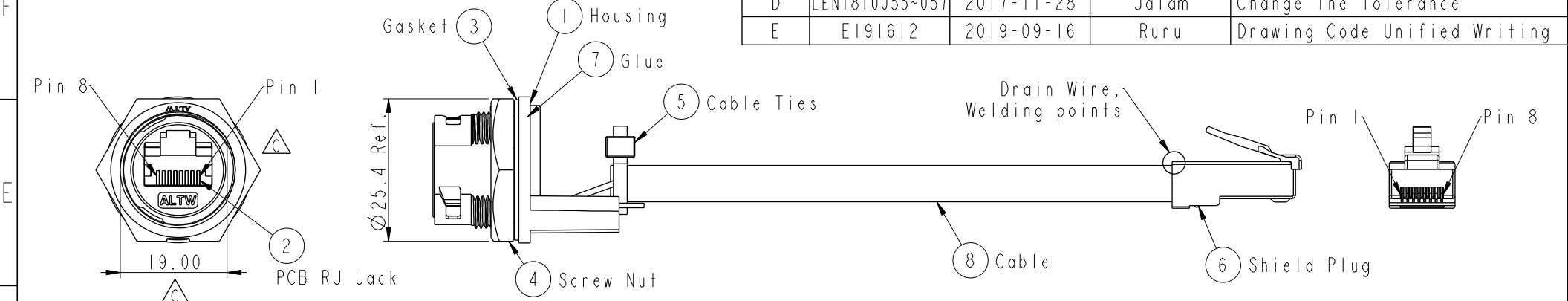


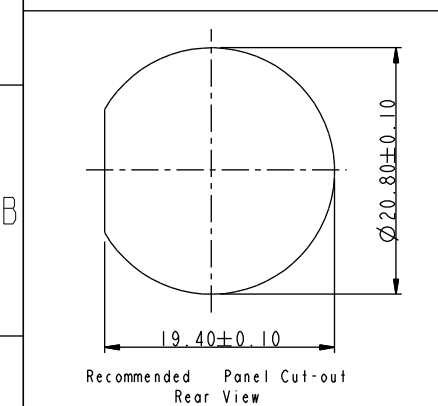
THIS DOCUMENT IS SUBJECT TO CHANGE WITHOUT NOTICE. IT IS CONFIDENTIAL AND A PROPERTY OF Amphenol LTW. DISCLOSURE TO THIRD PARTY HAS TO BE AUTHORIZED BY Amphenol LTW.

REV.	ECN NO.	DATE	SIGN	DESCRIPTION
C	LEN1440162	2014-04-15	Tom_gu	Change D Cut
D	LEN1810055~057	2017-11-28	Jalam	Change Tne Tolerance
E	E191612	2019-09-16	Ruru	Drawing Code Unified Writing

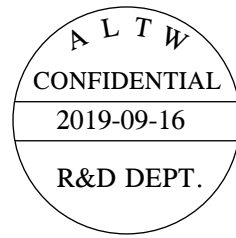


Cable length	Tolerance
0.0~100 mm	±10 mm
101~300 mm	±15 mm
301~1000 mm	±20 mm

- Note:
- * \varnothing Important Dimension
 - * Waterproof Rate : IP67 Unmated
 - * Housing : Nylon+GF, UL 94V-0, BLACK
 - * Screw Nut : Nylon+GF, UL 94V-0, BLACK
 - * Gasket : Silicone, UL 94V-0, Gray.
 - * PCB: FR-4
 - * Cable: CAT5E FTP 24#*4P+D+AL/MY, 6.5
 - * Jack : PBT Polyester UL 94V-0
 - * Use without Waterproof cap or Dust cap
For Panel Thickness Max: 3.0mm
 - * Use with Waterproof cap or Dust cap
For Panel Thickness Max: 1.8mm
 - * Screw torsion value range: 8~12kgf-cm



Shield	Drain Wire	接地線	Shield	
8	Brown	棕	8	Twist
7	White/Brown	白/棕	7	
6	Green	綠	6	Twist
5	White/Blue	白/藍	5	
4	Blue	藍	4	Twist
3	White/Green	白/綠	3	
2	Orange	橘	2	Twist
1	White/Orange	白/橘	1	
Jack	Wire Color		Plug	
	Pin Out			



UNIT: mm		TITLE		<h1>Amphenol LTW</h1> <p>安費諾亮泰企業股份有限公司</p>	ITEM NO	DRAWN BY	DATE
		RJ45, C SIZE, UNMATED WATERPROOF			RCP-5SPFFP-TCU7BXX	Ruru	2019-09-16
TOLERANCE		SCALE	SIZE	SHEET	CHECKED BY	DATE	
.X ±0.25		1:1	A4	1	Rita	2019-09-16	
.XX ±0.1	REV.	WC-REV.	: Inspection item		APPROVED BY	DATE	
.XXX ±0.05	E	B.6			Max	2019-09-16	
ANGLES ±1°					CUSTOMER		
					ALTW		