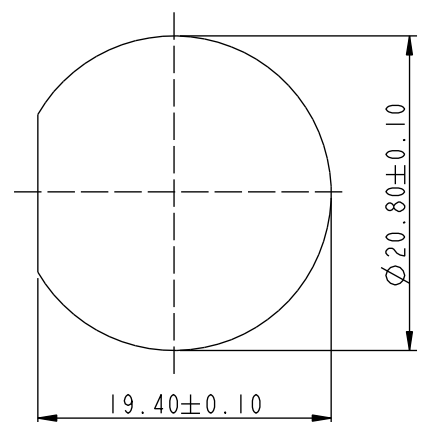
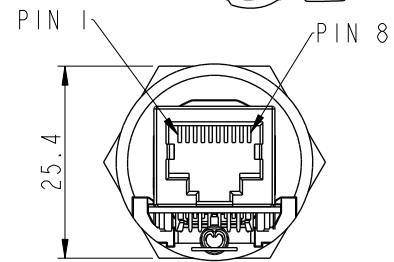
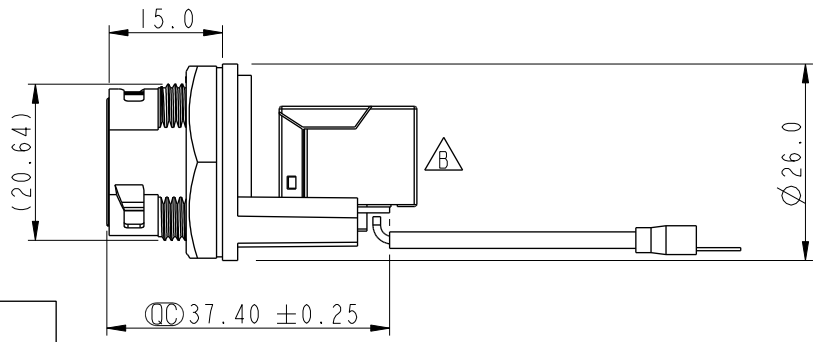
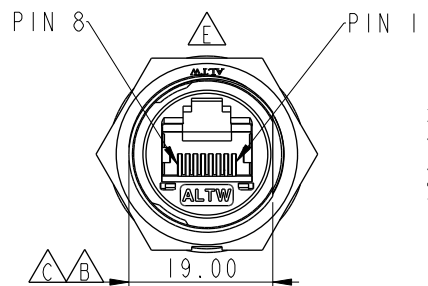
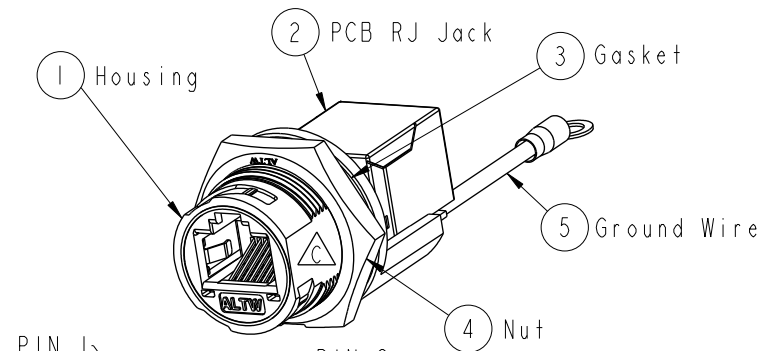
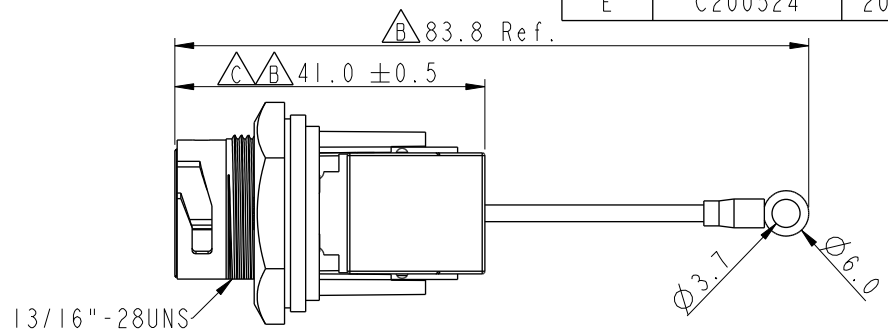


THIS DOCUMENT IS SUBJECT TO CHANGE WITHOUT NOTICE. IT IS CONFIDENTIAL AND A PROPERTY OF Amphenol LTW. DISCLOSURE TO THIRD PARTY HAS TO BE AUTHORIZED BY Amphenol LTW.

REV.	ECN NO.	DATE	SIGN	DESCRIPTION
C	LEN1440186	2014-04-19	Tom_gu	Change D Cut
D	C190405	2019/03/18	Ruru	Modify Note
E	C200524	2020/04/22	Vicky	△E *2



Recommended Panel Cut-out Rear View

- △ Note:
- \* ∅ Important Dimension
  - \* Waterproof Rate : IP67, Mated
  - \* Housing: Thermoplastic, Black
  - \* Nut: Thermoplastic, Black
  - △ \* Gasket: Rubber, Gray
  - \* PCB: FR-4
  - \* Jack: Thermoplastic
  - △ \* Ground Terminal: Copper Alloy, Tin Plated
  - △ \* Use without Waterproof cap or Dust cap For Panel Thickness Max: 4.2mm
  - \* Use with Waterproof cap or Dust cap For Panel Thickness Max: 3.0mm
  - △ \* Screw torsion value range: 8~12kgf-cm

UNIT: mm		
TOLERANCE	.X ±0.25	
.XX ±0.1		
.XXX ±0.05		
ANGLES	±1°	

TITLE RJ, C PLASTIC, C5E SHLD FRONT FASTENED, F, PNL JACK S, 3LOCK			
SCALE	SIZE	SHEET	OF
1:1	A4	1	1
REV.	WC-REV.	∅∅: Inspection item	
E	B.4		

Amphenol LTW

安費諾亮泰企業股份有限公司

ITEM NO	RCP-5SPFFH-TCM7002	DRAWN BY	Ruru	DATE	2019-03-18
DWG NO	RCP-5SPFFH-TCM7002	CHECKED BY	Rita	DATE	2019-03-18
CUSTOMER	ALTW	APPROVED BY	Max	DATE	2019-03-18