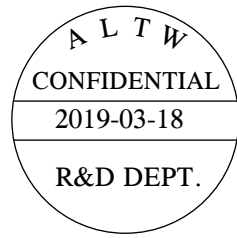
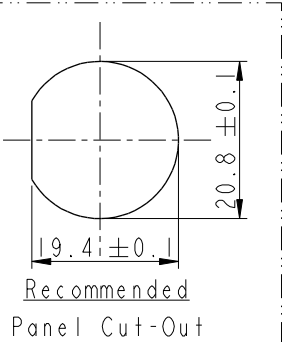
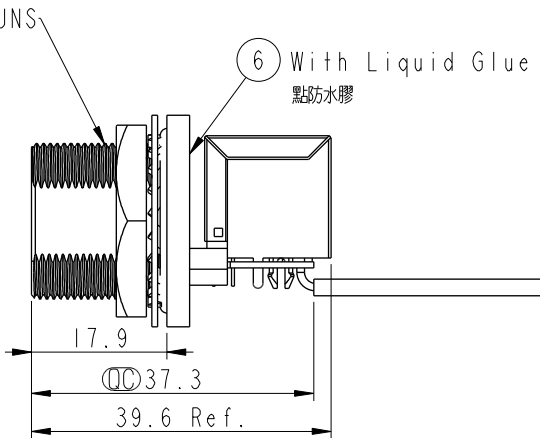
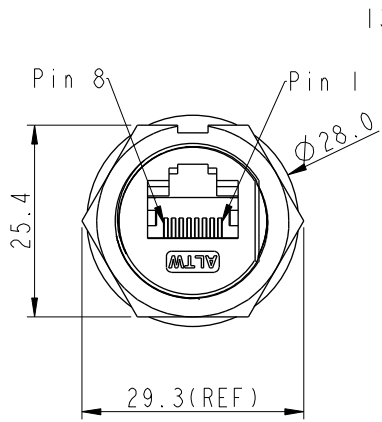
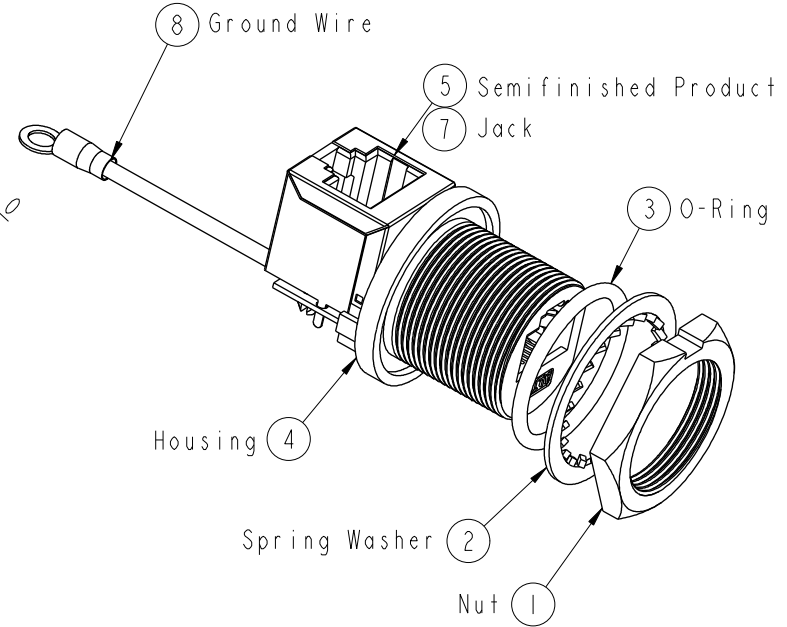
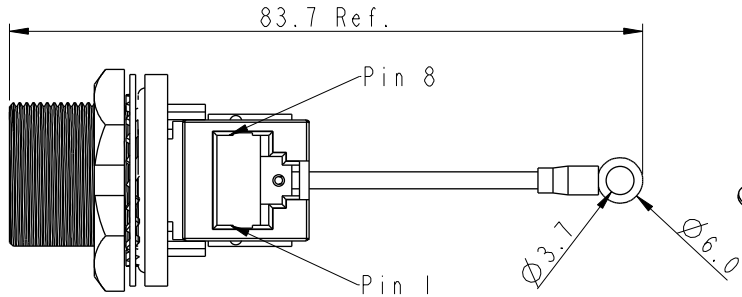


REV.	ECN NO.	DATE	SIGN	DESCRIPTION
A	Initial Release	2014-08-12	Tom	Change Rev. I To Rev.A
B	CI90405	2019/03/18	Ruru	Modify Note



Note:

- \* Important Dimension
- \* Waterproof Rate: IP67, Unmated
- \* Nut: Metal, Nickel Plated
- \* Spring Washer: Metal
- \* O-Ring: Rubber, Gray\_Black
- \* Housing: Metal, Nickel Plated
- \* Use With Waterproof Cap Or Dust Cap For Panel Thickness Max: 3.0mm
- \* Use Without Waterproof Cap Or Dust Cap For Panel Thickness Max: 4.2mm
- \* Recommend Force: 8~10kg-cm

<b>UNIT:mm</b> TOLERANCE .X ±0.25 .XX ±0.1 .XXX ±0.05 ANGLES ±1°	TITLE RJ45,C SIZE, JACK 90TOP UNMATED WATERPROOF		<b>Amphenol LTW</b> 安費諾亮泰企業股份有限公司		ITEM NO RCM-5SPFFV-SCU7002	DRAWN BY Ruru	DATE 2019-03-18
	SCALE 1:1	SIZE A4			SHEET 1 OF 1	DWG NO RCM-5SPFFV-SCU7002	CHECKED BY Rita
	REV. B	WC-REV. A.7	QC: Inspection item	CUSTOMER ALTW	APPROVED BY Max	DATE 2019-03-18	

THIS DOCUMENT IS SUBJECT TO CHANGE WITHOUT NOTICE. IT IS CONFIDENTIAL AND A PROPERTY OF Amphenol LTW. DISCLOSURE TO THIRD PARTY HAS TO BE AUTHORIZED BY Amphenol LTW.