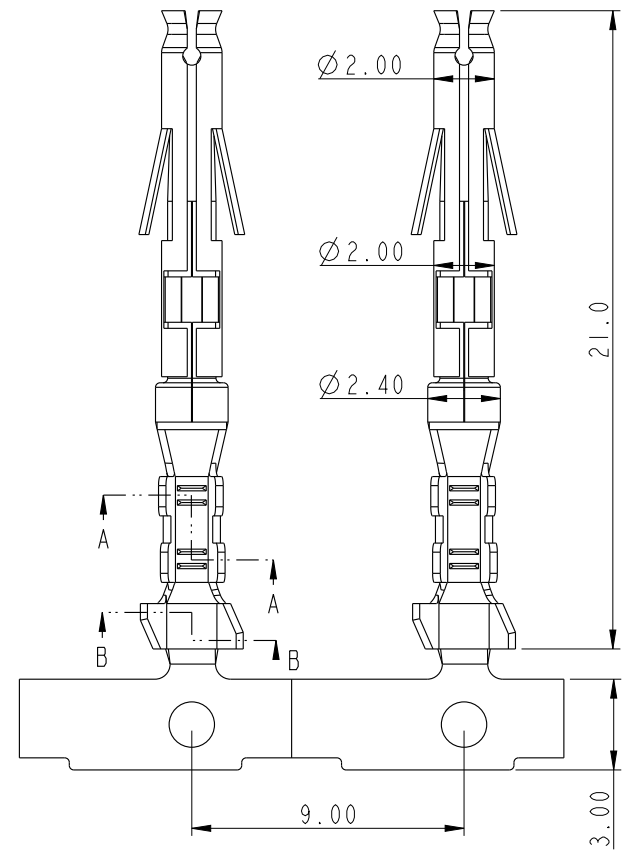
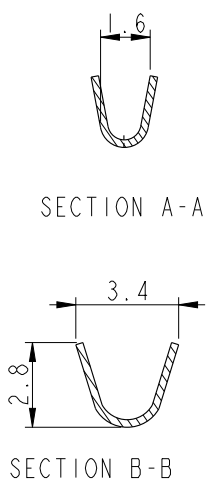


THIS DOCUMENT IS SUBJECT TO CHANGE WITHOUT NOTICE. IT IS CONFIDENTIAL AND A PROPERTY OF AMPHENOL LTW. DISCLOSURE TO THIRD PARTY HAS TO BE AUTHORIZED BY AMPHENOL LTW.

REV.	ECN NO.	DATE	SIGN	DESCRIPTION
B	C200383	2020-03-28	Peng	△XI

SAF20D-XXG03

- 01:MPQ(3500PCS)/REEL
- 02:LOOSE PIECE 500PCS
- 03:LOOSE PIECE 100PCS



Note:

- \* Material
  - Contact Body: Copper Alloy
  - Outer Spring: Stainless steel
- \* Contact Finish: 3u"Min Gold Plating
- \* Current Rating: 5A Max
- \* Termination Type: Crimping
- \* Wire Range: 24AWG~20AWG
- \* Salt Spray Test 48H
- \* This drawing is supplied for information only design features specifications and performance data

UNIT:mm		
TOLERANCE		
±0.5		

TITLE 05A FEMALE CLAW PIN TERMINAL			
SCALE 4:1	SIZE A4	SHEET 1 OF 1	
REV. B	WC-REV. A.2	QC: Inspection item	

**Amphenol LTW**  
安費諾亮泰企業股份有限公司

ITEM NO	DRAWN BY Jinhai	DATE 2015-08-11
DWG NO SAF20D-XXG03	CHECKED BY Rensong	DATE 2015-08-11
CUSTOMER ALTW	APPROVED BY Jerry	DATE 2015-08-11