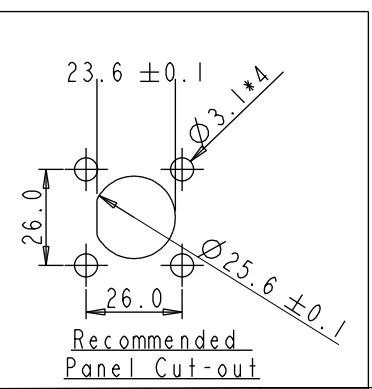
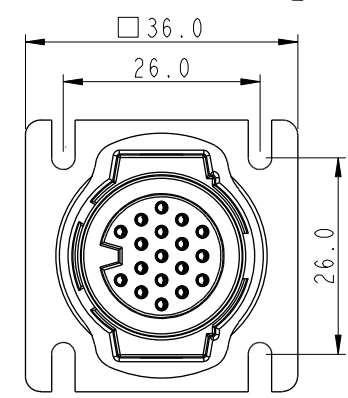
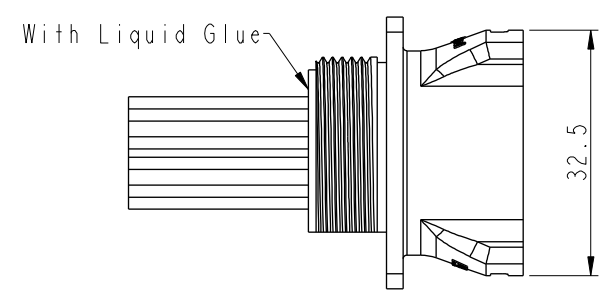
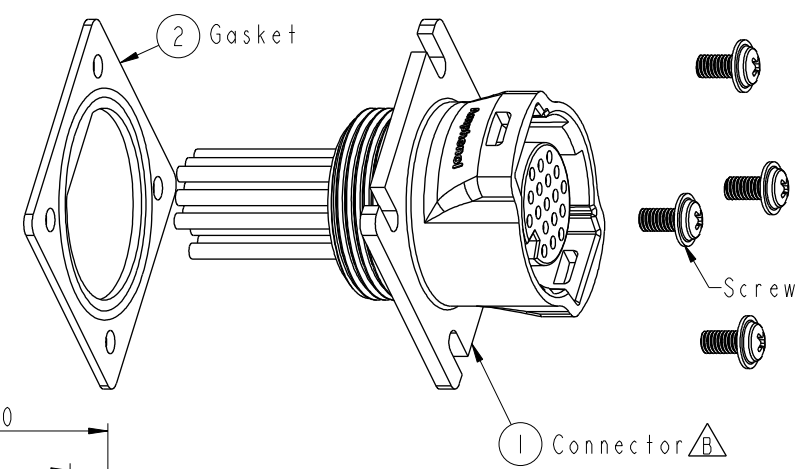
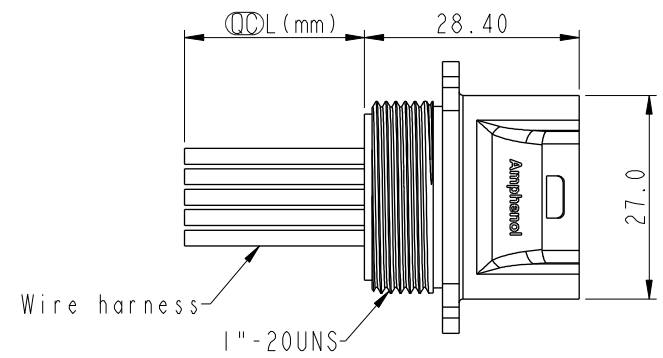
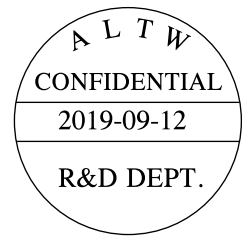


THIS DOCUMENT IS SUBJECT TO CHANGE WITHOUT NOTICE. IT IS CONFIDENTIAL AND A PROPERTY OF Amphenol LTW. DISCLOSURE TO THIRD PARTY HAS TO BE AUTHORIZED BY Amphenol LTW.

REV.	ECN NO.	DATE	SIGN	DESCRIPTION
B	LE315A0080~83	2015/09/22	Joyy	Update The Drawing
C	E191618	2019/09/12	Ruru	Update Code & Wire Tolerance



- Note:
- * \varnothing Important Dimension To Check.
 - * Waterproof Rate: IP67
 - * Housing: M-PPE, Black.
 - * Female Pin: Copper Alloy, Gold Plated.
 - * Gasket: Silicone, Gray.
 - * Wire harness: UL1430 20#
 - * Blind holes for the screws used M3X0.5mm
 - * Blind Hole Size M3X0.5mm
 - * Screw Torque: 1.5~2kgf.cm
 - * Wire harness Tolerance: 100 ± 10mm
101~300 ± 15mm
301~1000 ± 20mm
- △ Prohibiting the use of place in oils



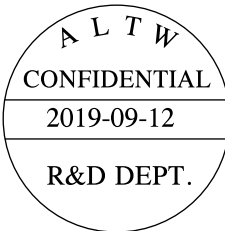
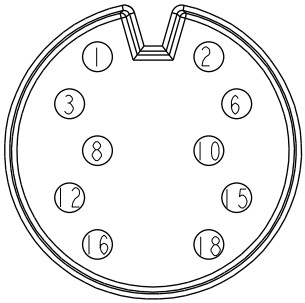
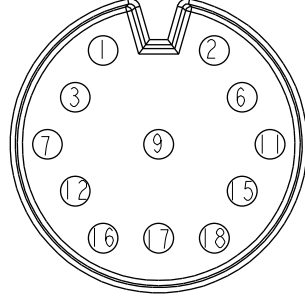
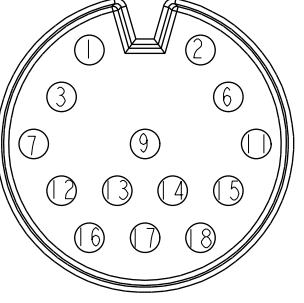
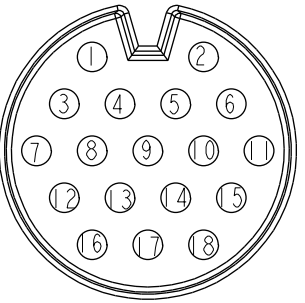

PE BAG 4 SETS 	Blind-Hole Effective Depth of Thread 2.5
----------------------	--

UNIT:mm		TITLE LARGE PANEL RBL F CONN F PIN
TOLERANCE ±0.5	SCALE 1:1	SIZE A4
	REV. C	SHEET 1 OF 3
	WC-REV. A.3	\varnothing : Inspection item

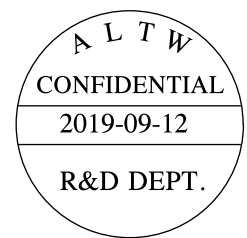
Amphenol LTW
安費諾亮泰企業股份有限公司

ITEM NO	DRAWN BY Ruru	DATE 2019-09-12
DWG NO DD-XXRFFC-RS7BXX	CHECKED BY Rita	DATE 2019-09-12
CUSTOMER ALTW	APPROVED BY Max	DATE 2019-09-12

THIS DOCUMENT IS SUBJECT TO CHANGE WITHOUT NOTICE. IT IS CONFIDENTIAL AND A PROPERTY OF Amphenol LTW. DISCLOSURE TO THIRD PARTY HAS TO BE AUTHORIZED BY Amphenol LTW.

△ B									
Pin Out	18 Purple(紫) 17 -- 16 Brown(棕) 15 Orange(橘) 14 -- 13 -- 12 Yellow(黃) 11 -- 10 Gray(灰) 9 -- 8 Red(紅) 7 -- 6 Green(綠) 5 -- 4 -- 3 Blue(藍) 2 White(白) 1 Black(黑)	18 Black/White(黑/白) 17 Orange(橘) 16 Pink(粉紅) 15 Gray(灰) 14 -- 13 -- 12 Purple(紫) 11 Yellow(黃) 10 -- 9 Green(綠) 8 -- 7 White(白) 6 Brown(棕) 5 -- 4 -- 3 Blue(藍) 2 Black(黑) 1 Red(紅)	18 Black/White(黑/白) 17 Brown/White(棕/白) 16 Light Green(淺綠) 15 Pink(粉紅) 14 Purple(紫) 13 Brown(棕) 12 Orange(橘) 11 Yellow(黃) 10 -- 9 Gray(灰) 8 -- 7 Red(紅) 6 Green(綠) 5 -- 4 -- 3 Blue(藍) 2 White(白) 1 Black(黑)	18 Light Green(淺綠) 17 Green/White(綠/白) 16 Orange/White(橘/白) 15 Brown/White(棕/白) 14 Blue/White(藍/白) 13 Black/White(黑/白) 12 Red/White(紅/白) 11 Orange(橘) 10 Pink(粉紅) 9 Gray(灰) 8 Purple(紫) 7 Yellow(黃) 6 Green(綠) 5 White(白) 4 Brown(棕) 3 Blue(藍) 2 Black(黑) 1 Red(紅)					
Pin Assignments Front View	 10Pin	 12Pin	 14Pin	 18Pin					
UNIT:mm			TITLE LARGE PANEL RBL F CONN F PIN		Amphenol LTW 安費諾亮泰企業股份有限公司		ITEM NO	DRAWN BY	DATE
TOLERANCE ±0.5	SCALE 1:1	SIZE A4	SHEET 2 OF 3		DWG NO DD-XXRFFC-RS7BXX		CHECKED BY	Ruru	2019-09-12
REV. C	WC-REV. A.3	QC: Inspection item		CUSTOMER			APPROVED BY	Rita	2019-09-12
					ALTW		Max	2019-09-12	8 W10814-03-REV01A2

THIS DOCUMENT IS SUBJECT TO CHANGE WITHOUT NOTICE. IT IS CONFIDENTIAL AND A PROPERTY OF AMPHENOL LTW. DISCLOSURE TO THIRD PARTY HAS TO BE AUTHORIZED BY AMPHENOL LTW.



DD-XXRFFC-RS7BXX

Large Size Current Rating 5A
 XX:No. Of Pin(Pin 數)
 R:Panel Rear Mounting(後續嵌面板式)
 F:Female Connector(母座)
 F:Female Pin(母Pin)
 C: Crimp Type(壓線組裝式)

10:100mm
 15:150mm
 20:200mm
 ↓
 △ A0:1000mm
 Cable Pitch Unit=50mm
 Wire Length (L):100~1000 mm
 B:UL 1430
 7:IP67(防水等級 67)
 S:Square(方座)
 R:Snap In With Latch(彈臂卡合)

1	2	3	4	5	6	7	8
F							
E							
D							
C							
B							
A							

UNIT:mm

TITLE LARGE PANEL RBL F CONN F PIN			
SCALE 1:1	SIZE A4	SHEET 3 OF 3	
REV. C	WC-REV. A.3	QC: Inspection item	

Amphenol LTW
 安費諾亮泰企業股份有限公司

ITEM NO	DRAWN BY Ruru	DATE 2019-09-12
DWG NO DD-XXRFFC-RS7BXX	CHECKED BY Rita	DATE 2019-09-12
CUSTOMER ALTW	APPROVED BY Max	DATE 2019-09-12