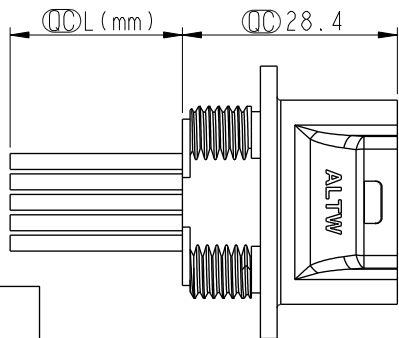
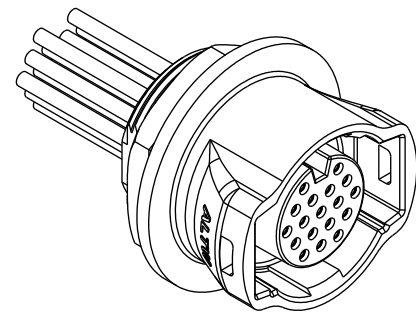
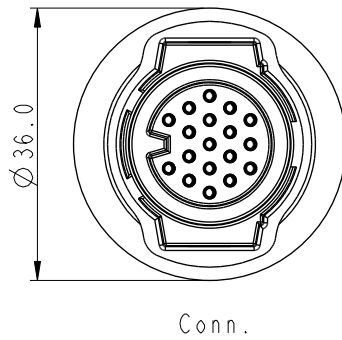
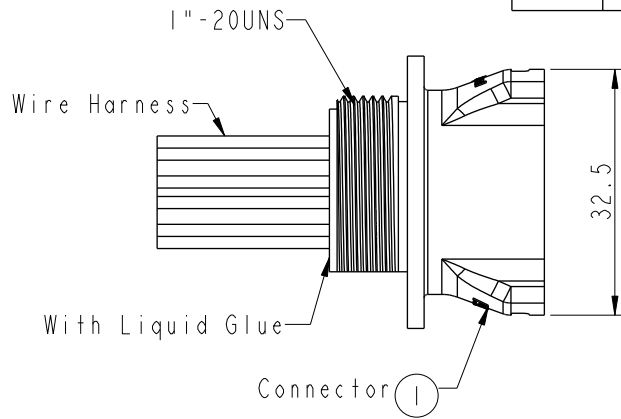
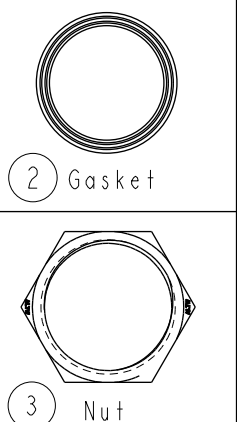
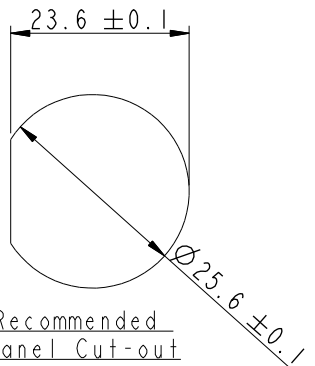


REV.	ECN NO.	DATE	SIGN	DESCRIPTION
A		2020/04/21	Ruru	Initial Released
B	C200692	2020/05/18	Ruru	$\triangle B$ XI



- $\triangle B$ Note:
- * ϕ Important Dimension
 - * Waterproof Rate: IP68, Unmated
IP68:1M depth of water in 24 hours
 - * Connector: Thermoplastic, Black
 - * Female Pin: Copper Alloy, Gold Plated
 - * Gasket: Rubber, Black
 - * Nut: Thermoplastic, Black
 - * Wire Harnss: UL1430, 20AWG
 - * Panel Thickness Max: 5.0mm
 - * Wire Harness Tolarance: 100mm \pm 10mm
101~300mm \pm 15mm
301~1000mm \pm 20mm
 - * Prohibiting the use of place in oils
 - * The nut and gasket are packed separately



A	UNIT:mm			TITLE	RBL, D-5A, REAR FASTENED F, F, SOLDER, RBL		Amphenol LTW		ITEM NO	DRAWN BY	DATE						
	TOLERANCE	± 0.5		SCALE	1:1	SIZE	A4	SHEET	1	OF	3	DWG NO	DD-XXRFFS-RC8CXX	CHECKED BY	Rita	DATE	2020-04-21
				REV.	B	WC-REV.	A.1	ϕ Inspection item	安費諾亮泰企業股份有限公司		CUSTOMER	ALTW	APPROVED BY	Max	DATE	2020-04-21	

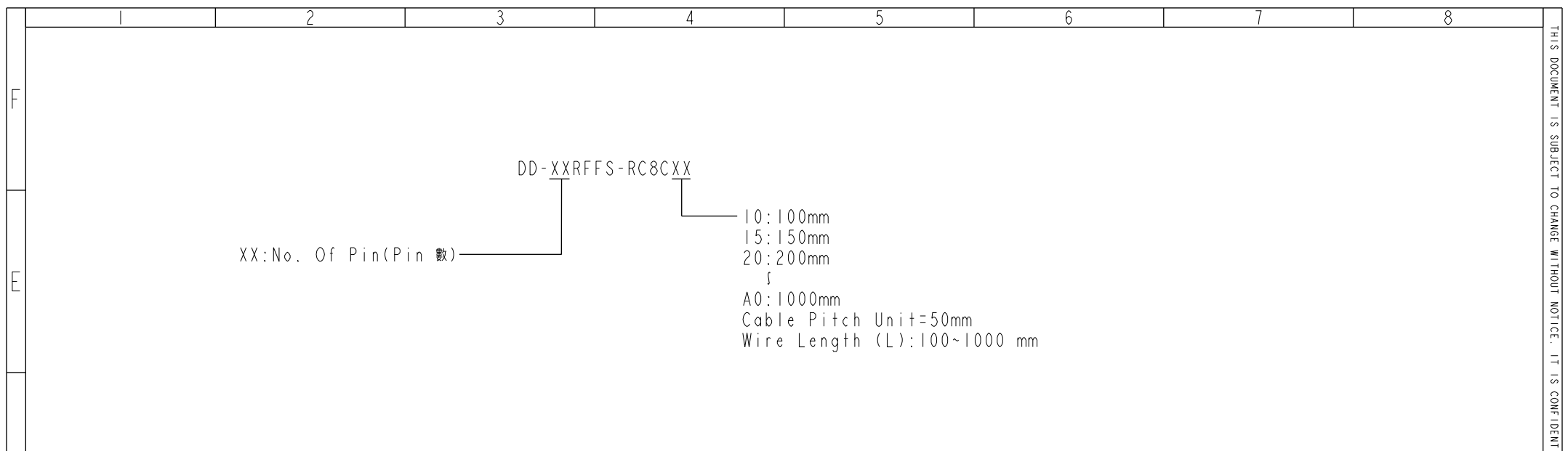
THIS DOCUMENT IS SUBJECT TO CHANGE WITHOUT NOTICE. IT IS CONFIDENTIAL AND A PROPERTY OF Amphenol LTW. DISCLOSURE TO THIRD PARTY HAS TO BE AUTHORIZED BY Amphenol LTW.

THIS DOCUMENT IS SUBJECT TO CHANGE WITHOUT NOTICE. IT IS CONFIDENTIAL AND A PROPERTY OF Amphenol LTW. DISCLOSURE TO THIRD PARTY HAS TO BE AUTHORIZED BY Amphenol LTW.

DD-XXRFFS-RC8CXX

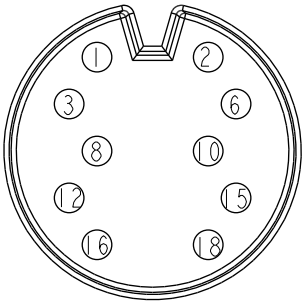
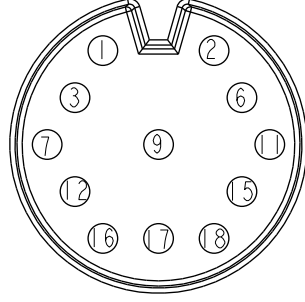
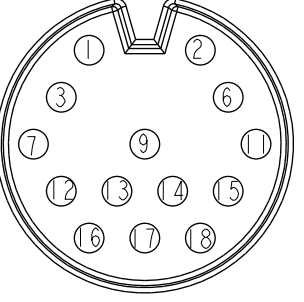
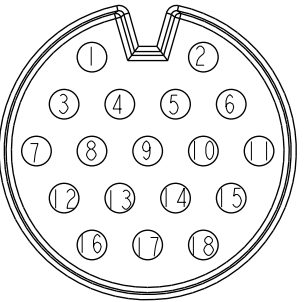

XX:No. Of Pin(Pin 數)

10:100mm
 15:150mm
 20:200mm
 }
 A0:1000mm
 Cable Pitch Unit=50mm
 Wire Length (L):100~1000 mm



Pin Out	18 Yellow(黃) 16 Orange(橘) 9 Red(紅) 6 Brown(棕) 3 Black(黑)	18 Green(綠) 16 Yellow(黃) 10 Orange(橘) 8 Red(紅) 2 Brown(棕) 1 Black(黑)	18 Blue(藍) 16 Green(綠) 15 Yellow(黃) 12 Orange(橘) 9 Red(紅) 6 Brown(棕) 3 Black(黑)	18 Purple(紫) 16 Blue(藍) 15 Green(綠) 12 Yellow(黃) 10 Orange(橘) 8 Red(紅) 2 Brown(棕) 1 Black(黑)	18 Gray(灰) 16 Purple(紫) 15 Blue(藍) 12 Green(綠) 9 Yellow(黃) 6 Orange(橘) 3 Red(紅) 2 Brown(棕) 1 Black(黑)

UNIT:mm TOLERANCE ±0.5		TITLE RBL, D-5A, REAR FASTENED F, F, SOLDER, RBL		<h1>Amphenol LTW</h1> <p>安費諾亮泰企業股份有限公司</p>	ITEM NO	DRAWN BY Ruru	DATE 2020-04-21	
		SCALE 1:1	SIZE A4		SHEET 2 OF 3	DWG NO DD-XXRFFS-RC8CXX	CHECKED BY Rita	DATE 2020-04-21
		REV. B	WC-REV. A.1		QC: Inspection item	CUSTOMER ALTW	APPROVED BY Max	DATE 2020-04-21

F								
E								
D	Pin Out	18 White(白) 17 -- 16 Gray(灰) 15 Purple(紫) 14 -- 13 -- 12 Blue(藍) 11 -- 10 Green(綠) 9 -- 8 Yellow(黃) 7 -- 6 Orange(橘) 5 -- 4 -- 3 Red(紅) 2 Brown(棕) 1 Black(黑)	18 Light Green(淺綠) 17 Pink(粉紅) 16 White(白) 15 Gray(灰) 14 -- 13 -- 12 Purple(紫) 11 Blue(藍) 10 -- 9 Green(綠) 8 -- 7 Yellow(黃) 6 Orange(橘) 5 -- 4 -- 3 Red(紅) 2 Brown(棕) 1 Black(黑)	18 Brown/White(棕/白) 17 Black/White(黑/白) 16 Light Green(淺綠) 15 Pink(粉紅) 14 White(白) 13 Gray(灰) 12 Purple(紫) 11 Blue(藍) 10 -- 9 Green(綠) 8 -- 7 Yellow(黃) 6 Orange(橘) 5 -- 4 -- 3 Red(紅) 2 Brown(棕) 1 Black(黑)	18 Blue/White(藍/白) 17 Green/White(綠/白) 16 Orange/White(橘/白) 15 Red/White(紅/白) 14 Brown/White(棕/白) 13 Black/White(黑/白) 12 Light Green(淺綠) 11 Pink(粉紅) 10 White(白) 9 Gray(灰) 8 Purple(紫) 7 Blue(藍) 6 Green(綠) 5 Yellow(黃) 4 Orange(橘) 3 Red(紅) 2 Brown(棕) 1 Black(黑)			
C								
B	Pin Assignments Front View	 <p style="text-align: center;">10Pin</p>	 <p style="text-align: center;">12Pin</p>	 <p style="text-align: center;">14Pin</p>	 <p style="text-align: center;">18Pin</p>			
A	UNIT:mm  TOLERANCE ±0.5	TITLE RBL, D-5A, REAR FASTENED F, F, SOLDER, RBL		<h1>Amphenol LTW</h1> <h2>安費諾亮泰企業股份有限公司</h2>		ITEM NO DD-XXRFFS-RC8CXX	DRAWN BY Ruru CHECKED BY Rita APPROVED BY Max	DATE 2020-04-21 DATE 2020-04-21 DATE 2020-04-21
		SCALE 1:1 REV. B	SIZE A4 WC-REV. A.1	SHEET 3 OF 3 QC: Inspection item	CUSTOMER ALTW			8 W10814-03-001A2