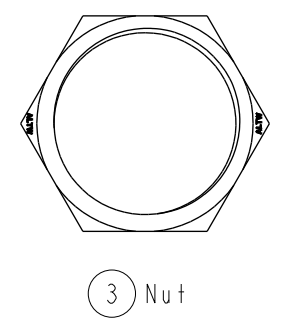
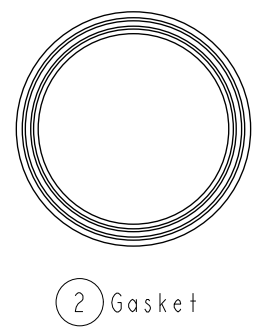
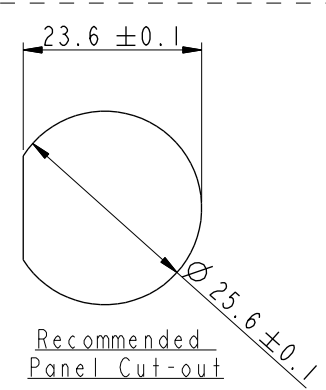
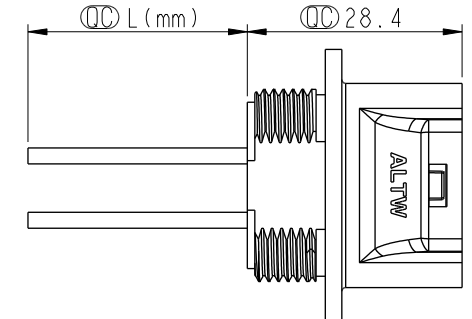
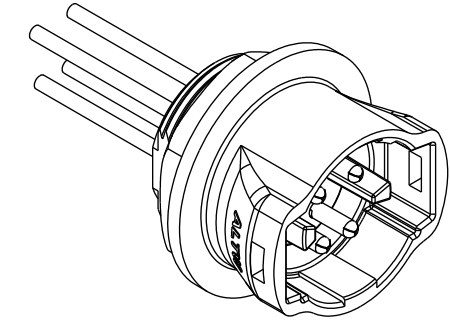
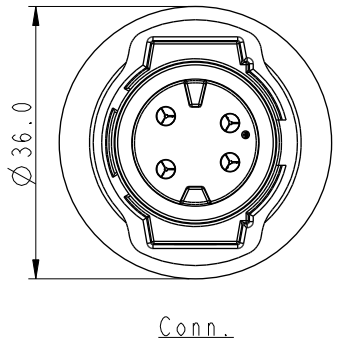
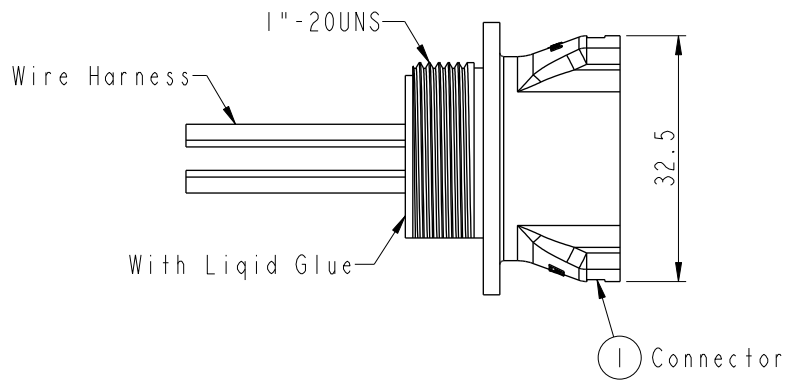


REV.	ECN NO.	DATE	SIGN	DESCRIPTION
A		2020/05/19	Vicky	Initial Released



Note:

- * \varnothing Important Dimension
- * Waterproof Rate: IP68, Unmated
IP68: 1M Depth of water in 24 hours
- * Connector: Thermoplastic, Black
- * Male Pin: Copper Alloy, Gold Plated
- * Gasket: Rubber, Black
- * Screw Nut: Thermoplastic, Black
- * Wire Harness: UL1015, 12AWG
- * Panel Thickness Max: 5.0mm
- * Wire harness Tolerance: 100mm \pm 10mm
101~300mm \pm 15mm
301~1000mm \pm 20mm
- * Prohibiting the use of place in oils
- * The nut and gasket are packed separately

UNIT:mm		
TOLERANCE	$\pm 0.5\text{mm}$	

TITLE RBL, D-20A, REAR FASTENED F, M, SOLDER, RBL			
SCALE 1:1	SIZE A4	SHEET 1 OF 2	
REV. A	WC-REV. A.1	\varnothing : Inspection item	

Amphenol LTW
安費諾亮泰企業股份有限公司

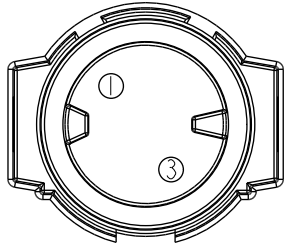
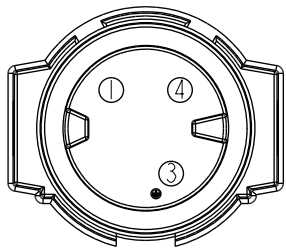
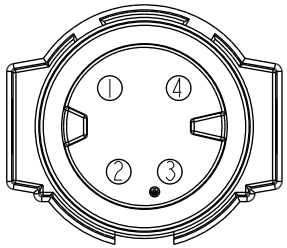
ITEM NO.	DRAWN BY Vicky	DATE 2020-05-19
DWG NO. DC-XXRFMS-RC8DXX	CHECKED BY Rita	DATE 2020-05-19
CUSTOMER ALTW	APPROVED BY Max	DATE 2020-05-19

THIS DOCUMENT IS SUBJECT TO CHANGE WITHOUT NOTICE. IT IS CONFIDENTIAL AND A PROPERTY OF Amphenol LTW. DISCLOSURE TO THIRD PARTY HAS TO BE AUTHORIZED BY Amphenol LTW.

DC-XXRFMS-RC8DXX

XX: No. Of Pin (Pin 數)

10: 100mm
 15: 150mm
 20: 200mm
 ↓
 A0: 1000mm
 Cable Pitch Unit=50mm
 Wire Length (L): 100~1000 mm

Pin Out	4 -- 3 White 白 2 -- 1 Black 黑	4 Green 綠 3 White 白 2 -- 1 Black 黑	4 Green 綠 3 White 白 2 Red 紅 1 Black 黑
Pin Assignments Front View	 2Pin	 3Pin	 4Pin

UNIT:mm TOLERANCE ±0.5mm	TITLE RBL, D-20A, REAR FASTENED F, M, SOLDER, RBL		<h1>Amphenol LTW</h1> <p>安費諾亮泰企業股份有限公司</p>	ITEM NO	DRAWN BY Vicky	DATE 2020-05-19	
	SCALE 1:1	SIZE A4		SHEET 2 OF 2	DWG NO DC-XXRFMS-RC8DXX	CHECKED BY Rita	DATE 2020-05-19
	REV. A	WC-REV. A.1		☉: Inspection item	CUSTOMER ALTW	APPROVED BY Max	DATE 2020-05-19