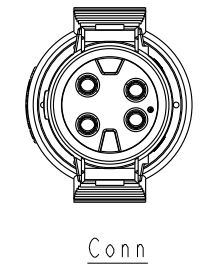
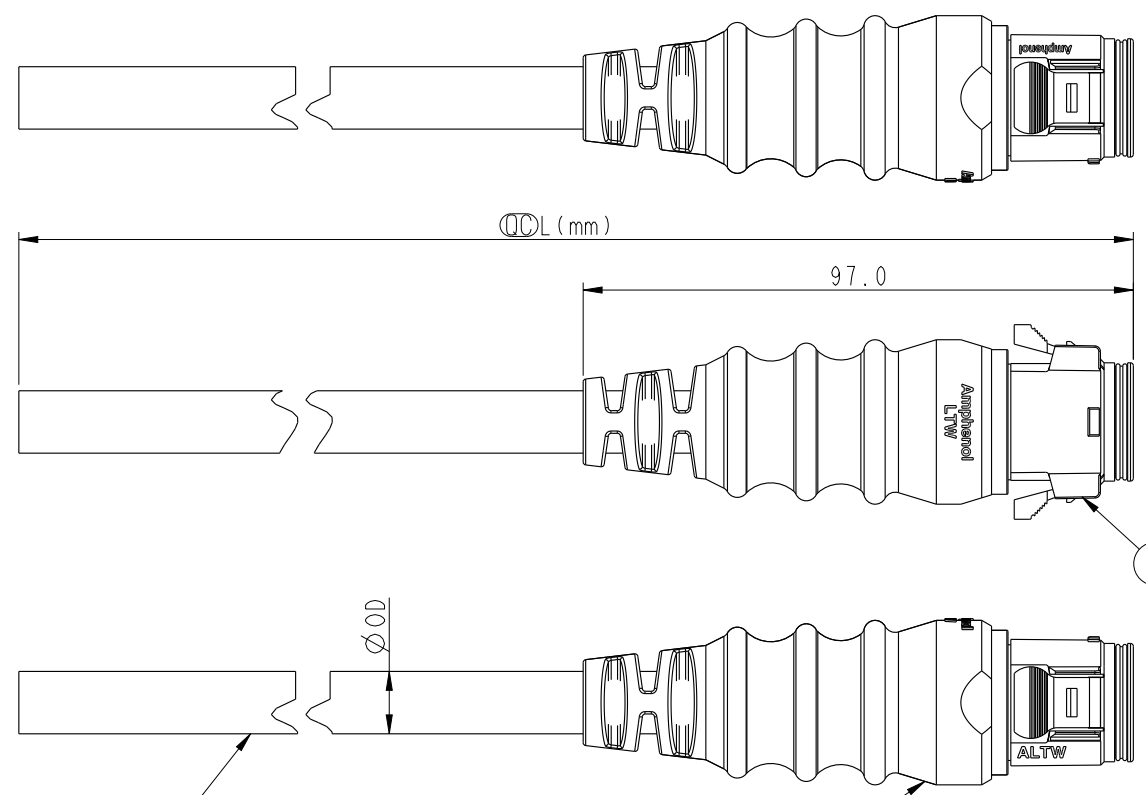
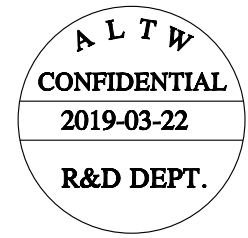


THIS DOCUMENT IS SUBJECT TO CHANGE WITHOUT NOTICE. IT IS CONFIDENTIAL AND A PROPERTY OF Amphenol LTW. DISCLOSURE TO THIRD PARTY HAS TO BE AUTHORIZED BY Amphenol LTW.

REV.	ECN NO.	DATE	SIGN	DESCRIPTION



- Note:
- * \varnothing Important Dimension To Check.
 - * Waterproof Rate: IP68
 - * Housing: M-PPE, Black.
 - * Female Pin: Copper Alloy, Gold Plated.
 - * Gasket: Silicone, Gray
 - * Cable: SJTW 12# ,PVC Jacket ,UV Resistant, Black.
 - * Cable Length Tolerance: 01M:±40mm
02M~05M:±60mm
06M~10M:±100mm
11M~30M:±200mm
31M~99M:±500mm
 - * Prohibiting the use of place in oils

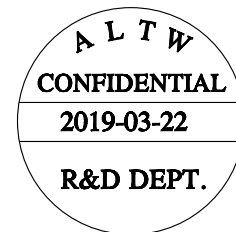
DC-02AMFM-RL8EXX	$\varnothing 10.7$
DC-03AMFM-RL8EXX	$\varnothing 11.7$
DC-04AMFM-RL8EXX	$\varnothing 12.3$
Part No.	Cable OD

UNIT:mm		TITLE
TOLERANCE	± 0.5	LARGE CABLE M CONN F PIN
SCALE	3:4	SIZE A4
REV.	A	SHEET 1 OF 2
WC-REV.	.0	\varnothing : Inspection item

Amphenol LTW
安費諾亮泰企業股份有限公司

ITEM NO	DRAWN BY	DATE
DWG NO	CHECKED BY	DATE
CUSTOMER	APPROVED BY	DATE
	Peng	2019-03-22
	Mafei	2019-03-22
	Jerry	2019-03-22

THIS DOCUMENT IS SUBJECT TO CHANGE WITHOUT NOTICE. IT IS CONFIDENTIAL AND A PROPERTY OF Amphenol LTW. DISCLOSURE TO THIRD PARTY HAS TO BE AUTHORIZED BY Amphenol LTW.



DC-XXAMFM-RL8E XX

Large Size Current Rating 20A

XX:No. Of Pin(Pin 數)

A:Cable With S/R(線端帶網尾)

F:Female Connector(母座)

M:Male Pin(公Pin)

M:Molding Type(射出成型)

XX:01~99Meter

01:01Meter

02:02Meter

...

99:99Meter

E:SJTW Cable

8:IP68(防水等級 68)

L:Straight(180°)

R:Snap In With Latch(彈臂卡合式)

Pin Out	4	--	4	Green 綠	4	Green 綠
	3	White 白	3	White 白	3	White 白
	2	--	2	--	2	Red 紅
	1	Black 黑	1	Black 黑	1	Black 黑
Pin Assignments Front View						
	2Pin		3Pin		4Pin	

UNIT:mm

TOLERANCE ±0.5

TITLE LARGE CABLE M CONN M PIN

SCALE 3:4 SIZE A4 SHEET 2 OF 2

REV. A WC-REV. .0 :Inspection item

Amphenol LTW
安費諾亮泰企業股份有限公司

ITEM NO	DRAWN BY Peng	DATE 2019-03-22
DWG NO DC-XXAMFM-RL8EXX	CHECKED BY Mafei	DATE 2019-03-22
CUSTOMER ALTW	APPROVED BY Jerry	DATE 2019-03-22