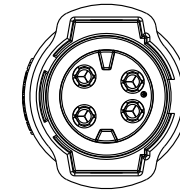
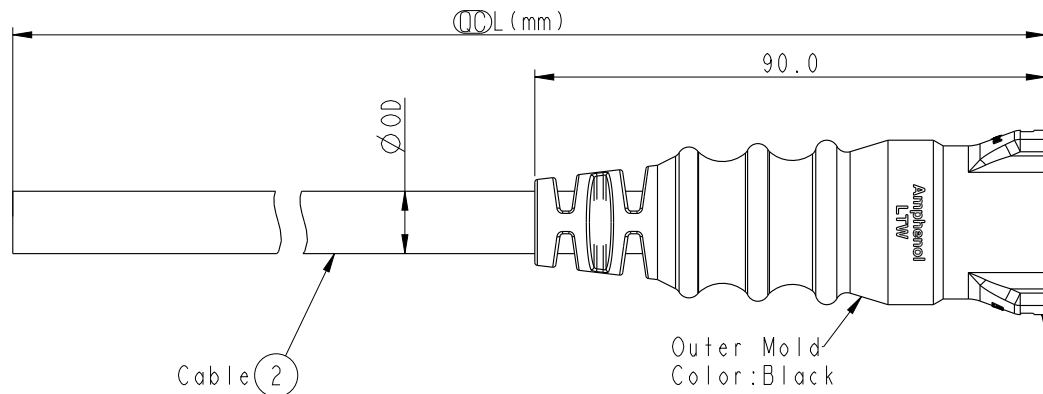
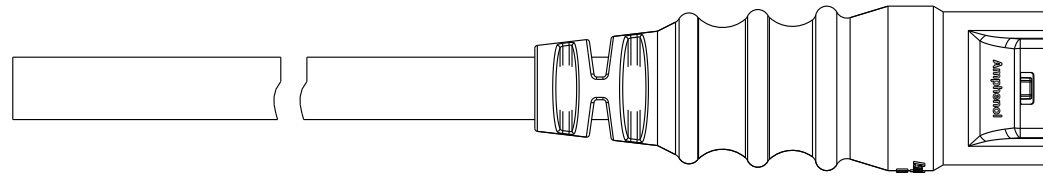
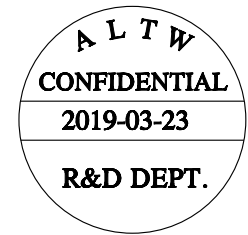


REV.	ECN NO.	DATE	SIGN	DESCRIPTION

THIS DOCUMENT IS SUBJECT TO CHANGE WITHOUT NOTICE. IT IS CONFIDENTIAL AND A PROPERTY OF Amphenol LTW. DISCLOSURE TO THIRD PARTY HAS TO BE AUTHORIZED BY Amphenol LTW.



Conn

Note:

- * \varnothing Important Dimension
- * Waterproof Rate: IP68
- * Housing: M-PPE, Black
- * Male Pin: Copper Alloy, Gold Plated
- * Cable: SJTW 12#, PVC Jacket, UV Resistant, Black.
- * Cable Length Tolerance: 01M: ± 40 mm
02M~05M: ± 60 mm
06M~10M: ± 100 mm
11M~30M: ± 200 mm
31M~99M: ± 500 mm
- * Prohibiting the use of place in oils

DC-02AFMM-RL8EXX	$\varnothing 10.7$
DC-03AFMM-RL8EXX	$\varnothing 11.7$
DC-04AFMM-RL8EXX	$\varnothing 12.3$
Part No.	Cable OD

UNIT: mm		TITLE	LARGE CABLE F CONN M PIN	
TOLERANCE	± 0.5	SCALE	3:4	SHEET 1 OF 2
REV.	A	WC-REV.	A.1	\varnothing : Inspection item

Amphenol LTW
安費諾亮泰企業股份有限公司

ITEM NO.	DRAWN BY	DATE
	Peng	2019-03-23
DWG NO.	CHECKED BY	DATE
DC-XXAFMM-RL8EXX	Mafei	2019-03-23
CUSTOMER	APPROVED BY	DATE
ALTW	Jerry	2019-03-23

THIS DOCUMENT IS SUBJECT TO CHANGE WITHOUT NOTICE. IT IS CONFIDENTIAL AND A PROPERTY OF Amphenol LTW. DISCLOSURE TO THIRD PARTY HAS TO BE AUTHORIZED BY Amphenol LTW.

1 2 3 4 5 6 7 8

F

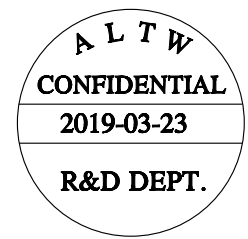
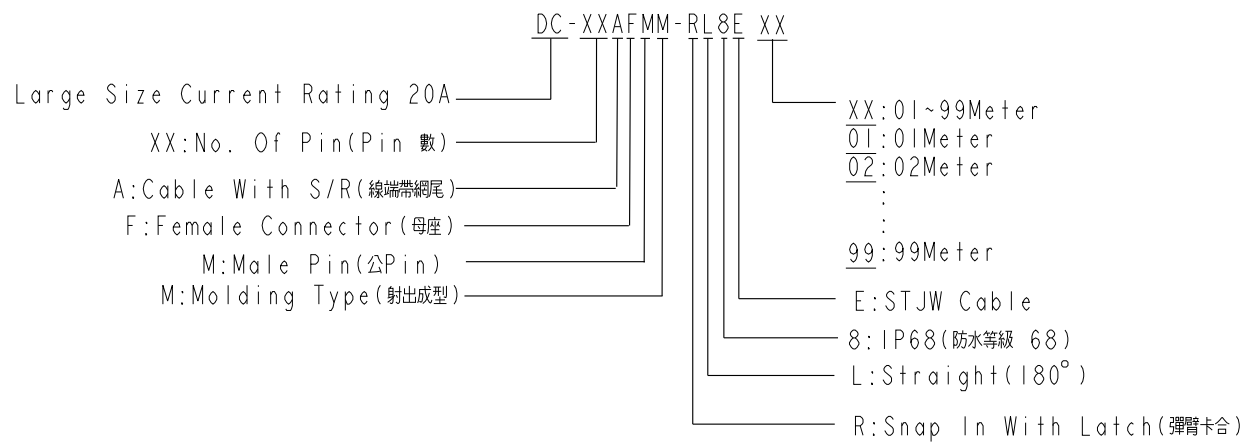
E

D

C

B

A



Pin Out	4	--	4	Green 綠	4	Green 綠
	3	White 白	3	White 白	3	White 白
	2	--	2	--	2	Red 紅
	1	Black 黑	1	Black 黑	1	Black 黑
Pin Assignments Front View						
	2Pin		3Pin		4Pin	

UNIT:mm		TITLE LARGE CABLE F CONN M PIN			ITEM NO	DRAWN BY Peng	DATE 2019-03-23
TOLERANCE ±0.5	SCALE 3:4	SIZE A4	SHEET 2 OF 2	DWG NO DC-XXAFMM-RL8EXX	CHECKED BY Mafei	DATE 2019-03-23	
	REV. A	WC-REV. A.1	:Inspection item	CUSTOMER ALTW	APPROVED BY Jerry	DATE 2019-03-23	

Amphenol LTW
安費諾亮泰企業股份有限公司