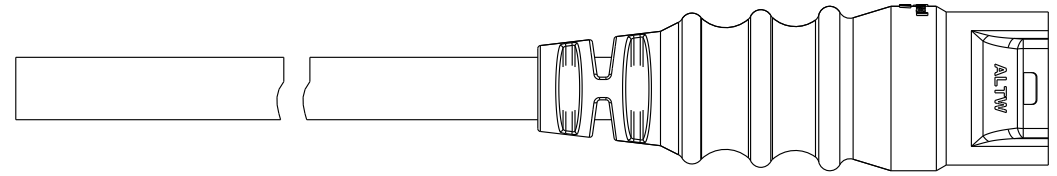
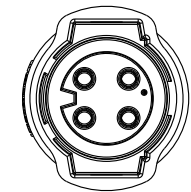
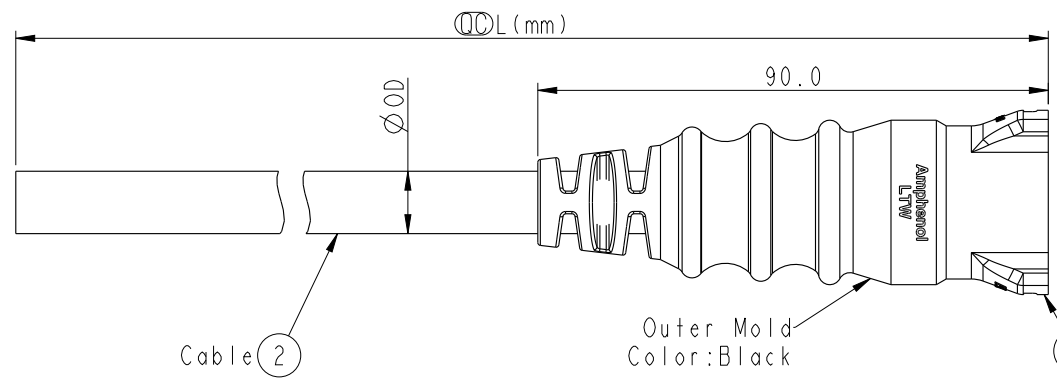
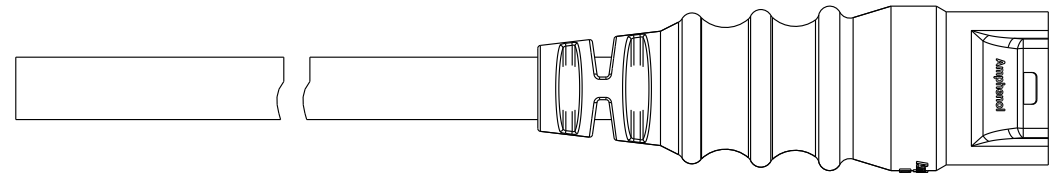
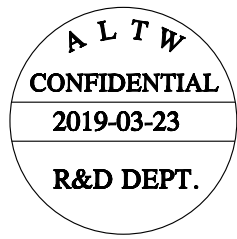


REV.	ECN NO.	DATE	SIGN	DESCRIPTION

THIS DOCUMENT IS SUBJECT TO CHANGE WITHOUT NOTICE. IT IS CONFIDENTIAL AND A PROPERTY OF Amphenol LTW. DISCLOSURE TO THIRD PARTY HAS TO BE AUTHORIZED BY Amphenol LTW.



- Note:
- \*  $\varnothing$  Important Dimension
  - \* Waterproof Rate: IP68
  - \* Housing: M-PPE, Black
  - \* Female Pin: Copper Alloy, Gold Plated
  - \* Cable: SJTW 12#, PVC Jacket, UV Resistant, Black.
  - \* Cable Length Tolerance: 01M: ±40mm  
02M~05M: ±60mm  
06M~10M: ±100mm  
11M~30M: ±200mm  
31M~99M: ±500mm
  - \* Prohibiting the use of place in oils

DC-02AFFM-RL8EXX	∅ 10.7
DC-03AFFM-RL8EXX	∅ 11.7
DC-04AFFM-RL8EXX	∅ 12.3
Part No.	Cable OD

UNIT: mm		
TOLERANCE	±0.5	

TITLE LARGE CABLE F CONN F PIN			
SCALE 3:4	SIZE A4	SHEET 1 OF 2	
REV. A	WC-REV. .0	$\varnothing$ : Inspection item	

**Amphenol LTW**  
安費諾亮泰企業股份有限公司

ITEM NO.	DRAWN BY Peng	DATE 2019-03-23
DWG NO. DC-XXAFFM-RL8EXX	CHECKED BY Mafei	DATE 2019-03-23
CUSTOMER ALTW	APPROVED BY Jerry	DATE 2019-03-23

THIS DOCUMENT IS SUBJECT TO CHANGE WITHOUT NOTICE. IT IS CONFIDENTIAL AND A PROPERTY OF Amphenol LTW. DISCLOSURE TO THIRD PARTY HAS TO BE AUTHORIZED BY Amphenol LTW.

1 2 3 4 5 6 7 8

F

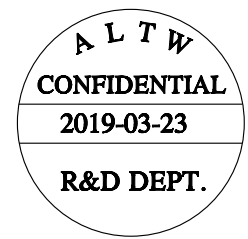
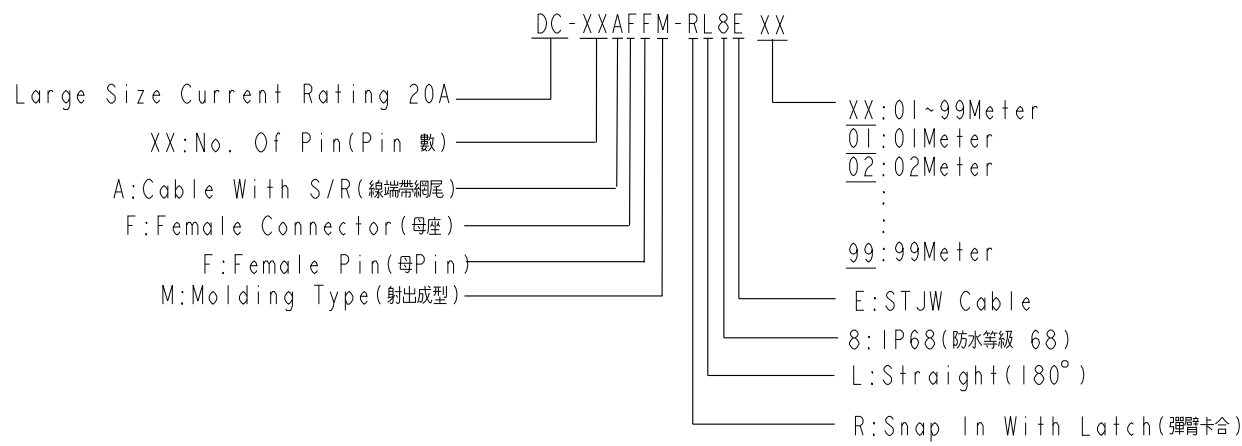
E

D

C

B

A



Pin Out	4	--	4	Green 綠	4	Green 綠
	3	White 白	3	White 白	3	White 白
	2	--	2	--	2	Red 紅
	1	Black 黑	1	Black 黑	1	Black 黑
Pin Assignments Front View						
	2Pin		3Pin		4Pin	

UNIT:mm		TITLE LARGE CABLE F CONN F PIN		Amphenol LTW	ITEM NO	DRAWN BY Peng	DATE 2019-03-23
TOLERANCE ±0.5		SCALE 3:4	SIZE A4	SHEET 2 OF 2	DWG NO DC-XXAFFM-RL8EXX	CHECKED BY Mafei	DATE 2019-03-23
		REV. A	WC-REV. .0	Inspection item	CUSTOMER ALTW	APPROVED BY Jerry	DATE 2019-03-23

1 2 3 4 5 6 7 8 W10814-03-01A2