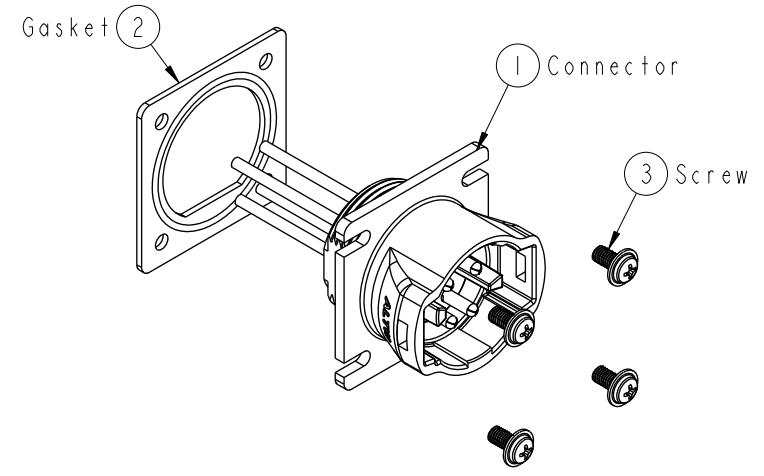
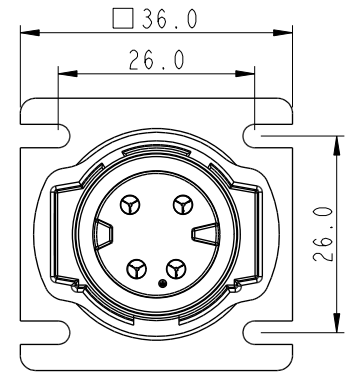
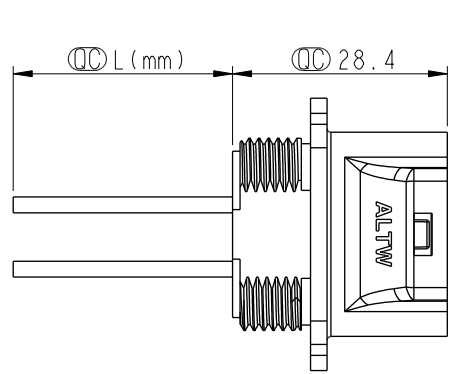
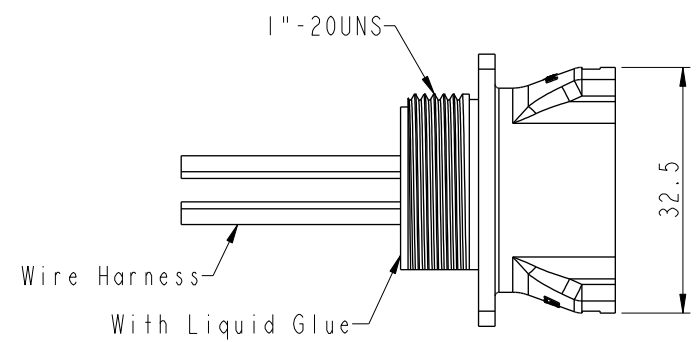
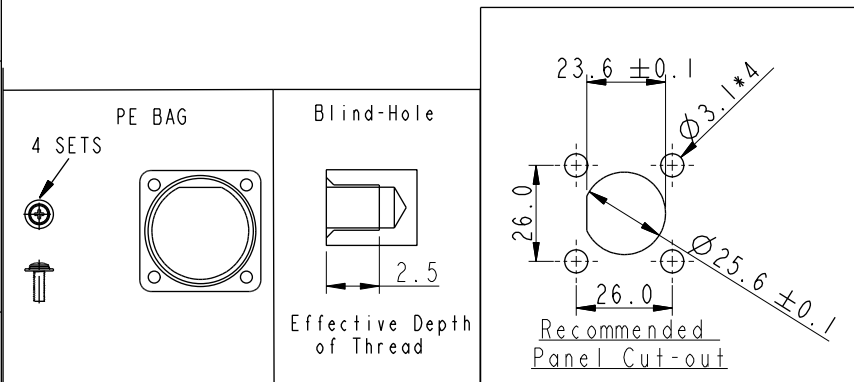


THIS DOCUMENT IS SUBJECT TO CHANGE WITHOUT NOTICE. IT IS CONFIDENTIAL AND A PROPERTY OF Amphenol LTW. DISCLOSURE TO THIRD PARTY HAS TO BE AUTHORIZED BY Amphenol LTW.

REV.	ECN NO.	DATE	SIGN	DESCRIPTION
A		2020/05/19	Vicky	Initial Released



- Note:
- * \varnothing Important Dimension To Check.
 - * Waterproof Rate: IP68, Unmated
IP68: IM Depth of water in 24 hours
 - * Connector: Thermoplastic, Black
 - * Male Pin: Copper Alloy, Gold Plated.
 - * Gasket: Rubber, Gray.
 - * Wire Harness: UL1015, 12AWG
 - * Blind holes for the screws used M3X0.5mm
 - * Blind Hole Size M3X0.5mm
 - * Wire harness Tolerance: 100mm \pm 10mm
101~300mm \pm 15mm
301~1000mm \pm 20mm
 - * Prohibiting the use of place in oils



UNIT:mm		TITLE	RBL, D-20A, REAR FASTENED F, M, SOLDER, RBL	
TOLERANCE	$\pm 0.5\text{mm}$	SCALE	1:1	SHEET 1 OF 2
REV.	A	WC-REV.	A.1	\varnothing : Inspection item

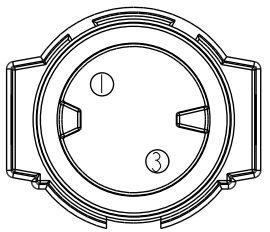
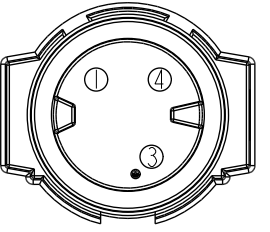
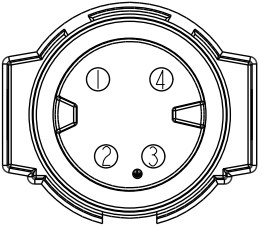
Amphenol LTW
安費諾亮泰企業股份有限公司

ITEM NO	DWG NO	CUSTOMER	DRAWN BY	CHECKED BY	APPROVED BY	DATE
	DC-XXRFMS-RS8DXX	ALTW	Vicky	Rita	Max	2020-05-19
						2020-05-19
						2020-05-19

DC-XXRFMS-RS8DXX

XX:No. Of Pin(Pin 數)

10:100mm
 15:150mm
 20:200mm
 }
 A0:1000mm
 Cable Pitch Unit=50mm
 Wire Length (L):100~1000 mm

Pin Out	4 -- 3 White 白 2 -- 1 Black 黑	4 Green 綠 3 White 白 2 -- 1 Black 黑	4 Green 綠 3 White 白 2 Red 紅 1 Black 黑
Pin Assignments Front View	 2Pin	 3Pin	 4Pin

UNIT:mm TOLERANCE ±0.5mm	TITLE RBL, D-20A, REAR FASTENED F, M, SOLDER, RBL		<h1>Amphenol LTW</h1> <p>安費諾亮泰企業股份有限公司</p>	ITEM NO	DRAWN BY Vicky	DATE 2020-05-19	
	SCALE 3:4	SIZE A4		SHEET 2 OF 2	DWG NO DC-XXRFMS-RS8DXX	CHECKED BY Rita	DATE 2020-05-19
	REV. A	WC-REV. A.1		☉: Inspection item	CUSTOMER ALTW	APPROVED BY Max	DATE 2020-05-19