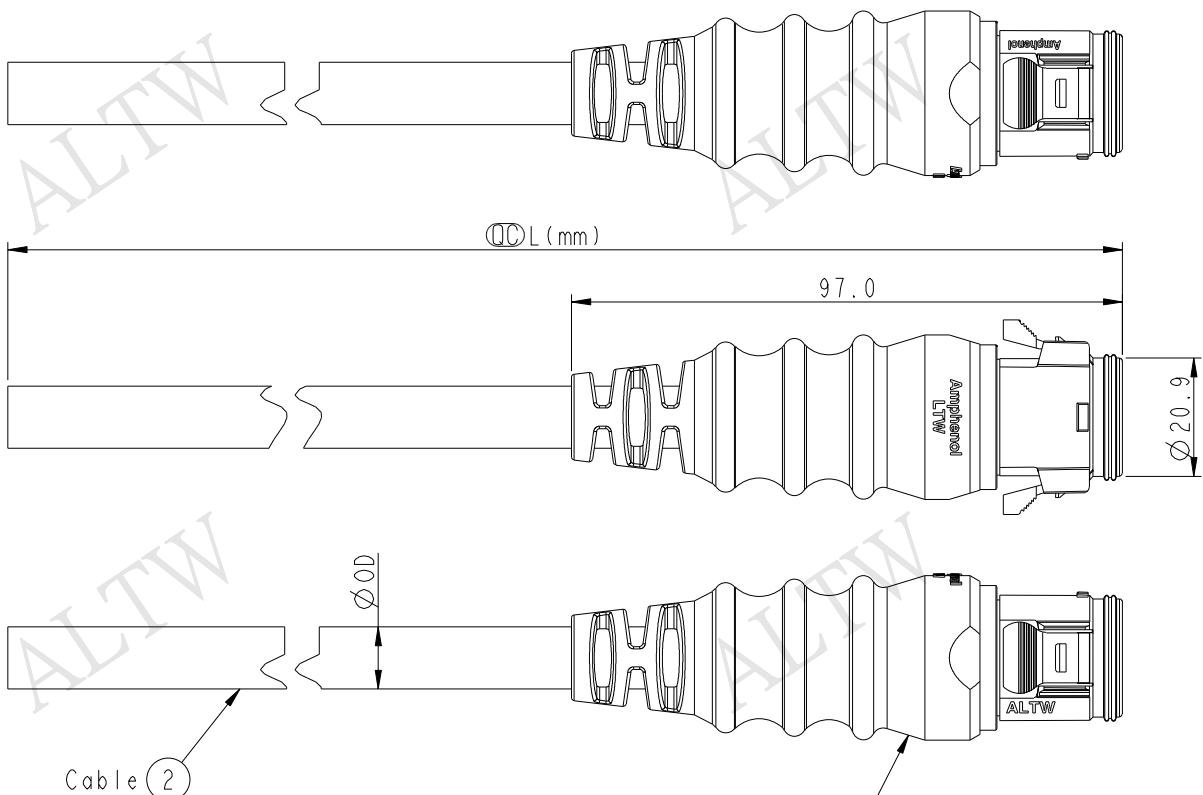


REV.	ECN NO.	DATE	SIGN	DESCRIPTION



ALTW  
CONFIDENTIAL  
2015-07-27  
R&D DEPT.

ALTW  
DCC. DEPT.  
CONFIDENTIAL  
2015.08.13  
ISSUED

- Note:
- \*  $\varnothing$  Important Dimension To Check.
  - \* Waterproof Rate: IP67
  - \* Housing: M-PPE, Black.
  - \* Male Pin: Copper Alloy, Gold Plated.
  - \* Gasket: Silicone, Gray
  - \* Cable: UL2464 12# ,PVC Jacket ,UV Resistant, Black
  - \* Cable Length Tolerance: 01M:±40mm  
02M~05M:±60mm  
06M~10M:±100mm  
11M~30M:±200mm  
31M~99M:±500mm
- \* Prohibiting the use of place in oils

DC-02AMMM-RL7AXX	∅9.5
DC-03AMMM-RL7AXX	∅10
DC-04AMMM-RL7AXX	∅11
Part No.	Cable OD

UNIT:mm		TITLE	LARGE CABLE M CONN M PIN		
TOLERANCE	±0.5	SCALE	3:4	SIZE	A4
		REV.	A	WC-REV.	A.6
				$\varnothing$	Inspection item
		SHEET	1	OF	2

**Amphenol LTW**  
安費諾亮泰企業股份有限公司

ITEM NO	DRAWN BY	DATE
	Lu Di	2015/07/27
DWG NO	CHECKED BY	DATE
DC-XXAMMM-RL7AXX	Joyy	2015/07/27
CUSTOMER	APPROVED BY	DATE
ALTW	Jerry	2015/07/27

THIS DOCUMENT IS SUBJECT TO CHANGE WITHOUT NOTICE. IT IS CONFIDENTIAL AND A PROPERTY OF Amphenol LTW. DISCLOSURE TO THIRD PARTY HAS TO BE AUTHORIZED BY Amphenol LTW.

THIS DOCUMENT IS SUBJECT TO CHANGE WITHOUT NOTICE. IT IS CONFIDENTIAL AND A PROPERTY OF AMPHENOL LTW. DISCLOSURE TO THIRD PARTY HAS TO BE AUTHORIZED BY AMPHENOL LTW.

1 2 3 4 5 6 7 8

F

E

D

C

B

A

DC-XXAMMM-RL7A XX

Large Size Current Rating 20A

XX:No. Of Pin(Pin 數)

A:Cable With S/R(線端帶網尾)

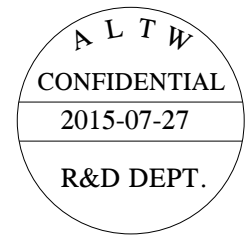
M:Male Connector(公座)

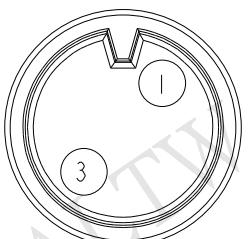
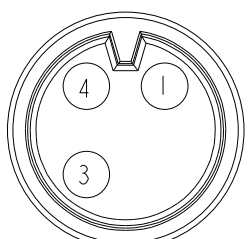
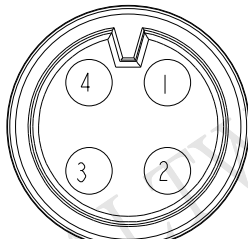
M:Male Pin(公Pin)

M:Molding Type(射出成型)

XX:01~99Meter  
 01:01Meter  
 02:02Meter  
 ...  
 99:99Meter

A:UL 2464 Cable  
 7:IP67(防水等級 67)  
 L:Straight(180°)  
 R:Snap In With Latch(彈臂卡合式)



Pin Out	4 -- 3 White 白 2 -- 1 Black 黑	4 Green 綠 3 White 白 2 -- 1 Black 黑	4 Green 綠 3 White 白 2 Red 紅 1 Black 黑
Pin Assignments Front View	 2Pin	 3Pin	 4Pin

UNIT:mm TOLERANCE ±0.5	TITLE LARGE CABLE M CONN M PIN		Amphenol LTW 安費諾亮泰企業股份有限公司	ITEM NO	DRAWN BY Lu Di	DATE 2015/07/27	
	SCALE 3:4	SIZE A4		SHEET 2 OF 2	DWG NO DC-XXAMMM-RL7AXX	CHECKED BY Joyy	DATE 2015/07/27
	REV. A	WC-REV. A.6		QC: Inspection item	CUSTOMER ALTW	APPROVED BY Jerry	DATE 2015/07/27

1 2 3 4 5 6 7 8 FMM10702-01-02A1