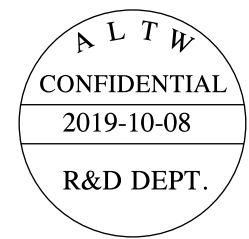
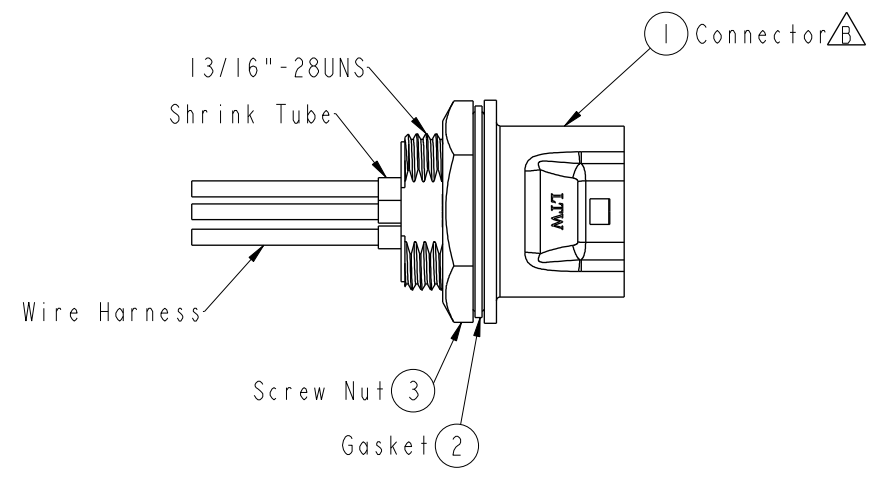
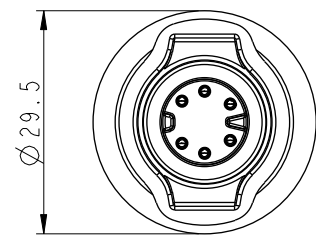
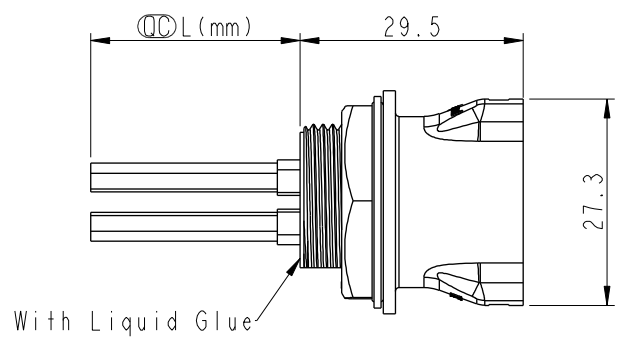
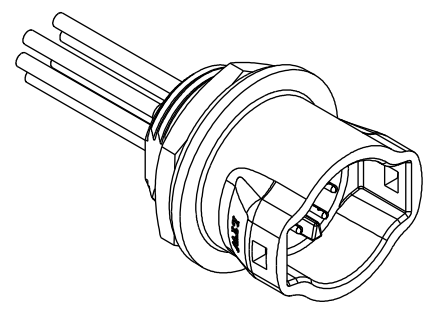
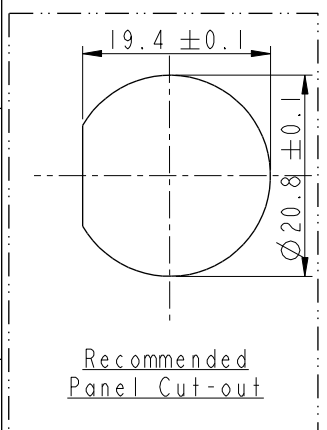


THIS DOCUMENT IS SUBJECT TO CHANGE WITHOUT NOTICE. IT IS CONFIDENTIAL AND A PROPERTY OF AMPHENOL LTW. DISCLOSURE TO THIRD PARTY HAS TO BE AUTHORIZED BY AMPHENOL LTW.

REV.	ECN NO.	DATE	SIGN	DESCRIPTION
B	LE315A0059~63	2015/09/22	Joyy	Update The Drawing
C	LEN15B0331~335	2015/11/10	Joyy	Add 7-8 And 9 Pin To The Common Drawing
D	CI91730	2019/10/08	Vicky	Update Code & Wire Tolerance



- Note:
- * QC Important Dimension To Check.
 - * Waterproof Rate: IP67
 - * Housing: M-PPE, Black.
 - * Male Pin: Copper Alloy, Gold Plated.
 - * Gasket: Silicone, Black.
 - * Screw Nut: Nylon+GF, Black.
 - * Wire Harness :UL1430 20#
 - * Panel Thickness Max: 5.0mm
 - * Recommended Nut Torque: 4~7 kgf.cm
 - * Wire harness Tolerance: 100 \pm 10mm
101~300 \pm 15mm
301~1000 \pm 20mm
 - * Prohibiting the use of place in oils



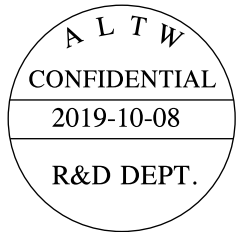
UNIT:mm		
TOLERANCE	$\pm 0.5\text{mm}$	

TITLE MIDDLE PANEL RBL F CONN M PIN			
SCALE 1:1	SIZE A4	SHEET 1 OF 2	
REV. D	WC-REV. A.7	QC : Inspection item	

Amphenol LTW
安費諾亮泰企業股份有限公司

ITEM NO	DRAWN BY Joyy	DATE 2015-11-10
DWG NO CD-XXRFMC-RC7BXX	CHECKED BY Lu Di	DATE 2015-11-10
CUSTOMER ALTW	APPROVED BY Jerry	DATE 2015-11-10

THIS DOCUMENT IS SUBJECT TO CHANGE WITHOUT NOTICE. IT IS CONFIDENTIAL AND A PROPERTY OF Amphenol LTW. DISCLOSURE TO THIRD PARTY HAS TO BE AUTHORIZED BY Amphenol LTW.



CD-XXRFMC-RC7BXX

Middle Size Current Rating 5A

XX:No. Of Pin(Pin 數)

R:Panel Rear Mounting(後鎖嵌面板式)

F:Female Connector(母座)

M:Male Pin(公Pin)

C:CrimpType(夾線組裝式)

10 :100mm
15 :150mm
20 :200mm

△A0 :1000mm
Cable Pitch Unit:50mm
Wire Length(L):100~1000mm

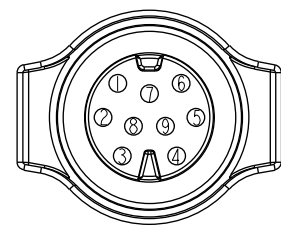
B: UL 1430

7: IP67(防水等級 67)

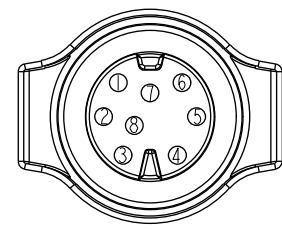
C: Circular(圓座)

R: Snap in With Latch(彈臂卡合式)

9	White	白	9	--	
8	Purple	紫	8	Purple	紫
7	Red	紅	7	Red	紅
6	Green	綠	6	Green	綠
5	Yellow	黃	5	Yellow	黃
4	Blue	藍	4	Blue	藍
3	Orange	橘	3	Orange	橘
2	Brown	棕	2	Brown	棕
1	Black	黑	1	Black	黑



9Pin



8Pin



Pin Out	4	--	4	Blue	藍	4	Blue	藍	6	Green	綠	6	Grey	灰	9	--	
	3	White	3	White	白	3	White	白	5	--		5	Yellow	黃	8	--	
	2	--	2	--		2	Brown	棕	4	Black	黑	4	Green	綠	7	Red	紅
	1	Black	1	Black	黑	1	Black	黑	3	Blue	藍	3	White	白	6	Green	綠
									2	White	白	2	Blue	藍	5	Yellow	黃
									1	Brown	棕	1	Brown	棕	4	Blue	藍
															3	Orange	橘
															2	Brown	棕
															1	Black	黑

Pin Assignments Front View						
	2Pin	3Pin	4Pin	5Pin	6Pin	7Pin

UNIT:mm		TITLE MIDDLE PANEL RBL F CONN M PIN		Amphenol LTW		ITEM NO	DRAWN BY	DATE
TOLERANCE	±0.5mm	SCALE	1:1	SIZE	A4	DWG NO	JOY	2015-11-10
		REV.	D	WC-REV.	A.7	CUSTOMER	LU DI	2015-11-10
						ALTW	JERRY	2015-11-10

安費諾亮泰企業股份有限公司