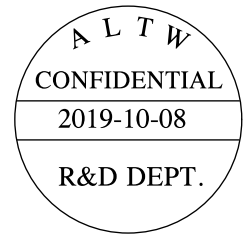
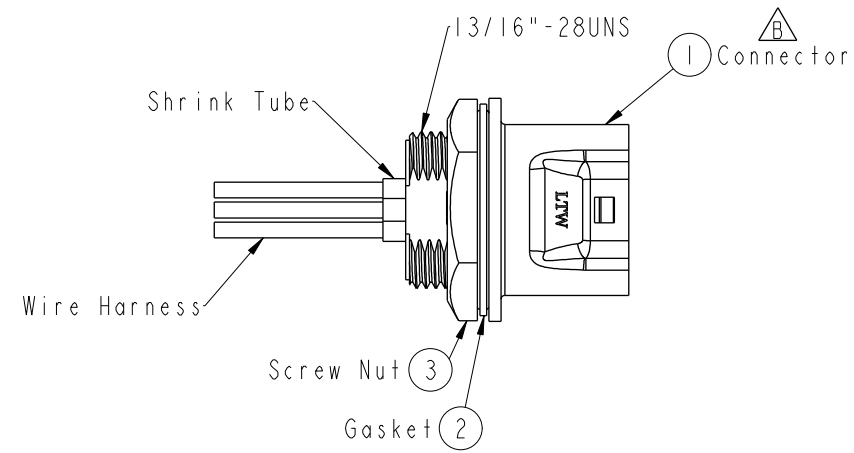
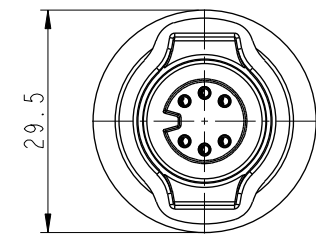
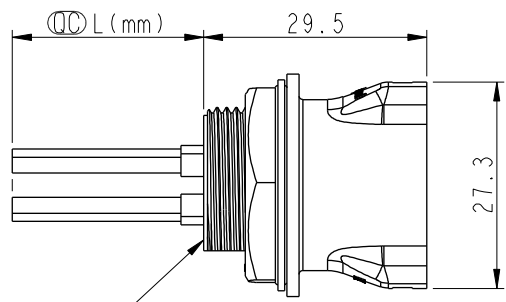
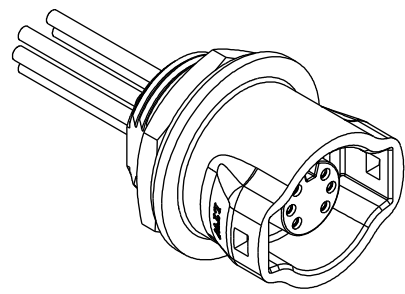
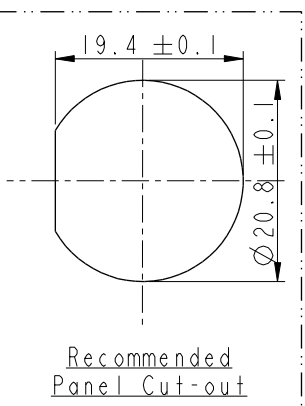


THIS DOCUMENT IS SUBJECT TO CHANGE WITHOUT NOTICE. IT IS CONFIDENTIAL AND A PROPERTY OF AMPHENOL LTW. DISCLOSURE TO THIRD PARTY HAS TO BE AUTHORIZED BY AMPHENOL LTW.

REV.	ECN NO.	DATE	SIGN	DESCRIPTION
B	LE315A0044~48	2015/09/22	Joyy	Update The Drawing
C	LEN15B0321~325	2015/11/10	Joyy	Add 7-8 And 9 Pin To The Common Drawing
D	CI91730	2019/10/08	Vicky	Update Code & Wire Tolerance



- Note:
- * QC Important Dimension To Check.
 - * Waterproof Rate: IP67
 - * $\triangle C$ Housing: 2~6Pin M-PPE, Black.
7~9Pin Nylon+GF, Black.
 - * Female Pin: Copper Alloy, Gold Plated.
 - * Gasket: Silicone, Black.
 - * Screw Nut: Nylon+GF, Black.
 - * Wire Harness: UL1430 20#
 - * Panel Thickness Max: 5.0mm
 - * Recommended Nut Torque: 4~7 kgf.cm
 - * $\triangle D$ Wire harness Tolerance: 100 \pm 10mm
101~300 \pm 15mm
301~1000 \pm 20mm
 - * Prohibiting the use of place in oils



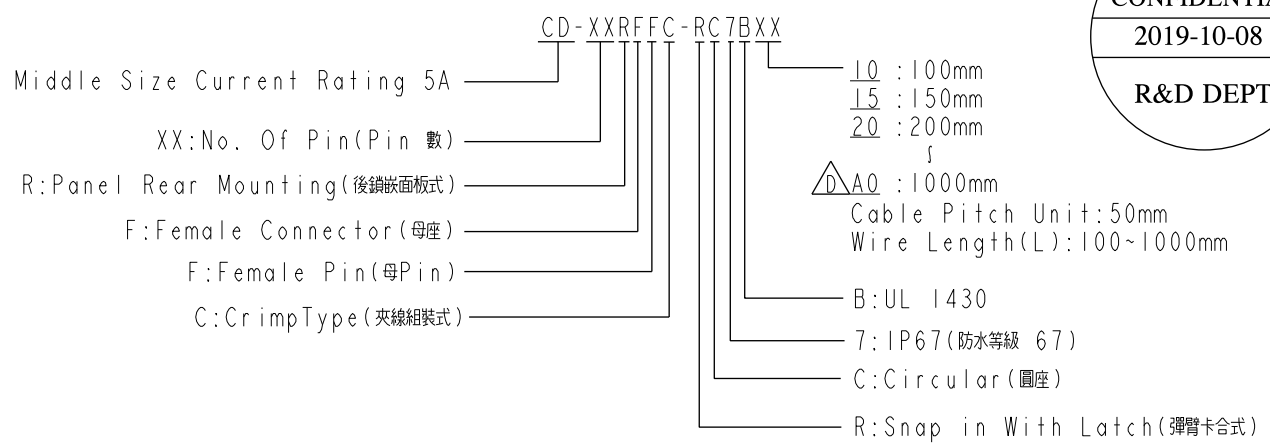
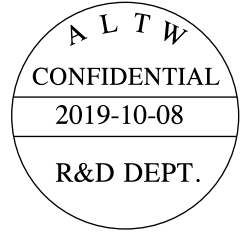
UNIT: mm		
TOLERANCE	$\pm 0.5\text{mm}$	

TITLE MIDDLE PANEL RBL F CONN F PIN			
SCALE 1:1	SIZE A4	SHEET 1 OF 2	
REV. D	WC-REV. A.2	QC : Inspection item	

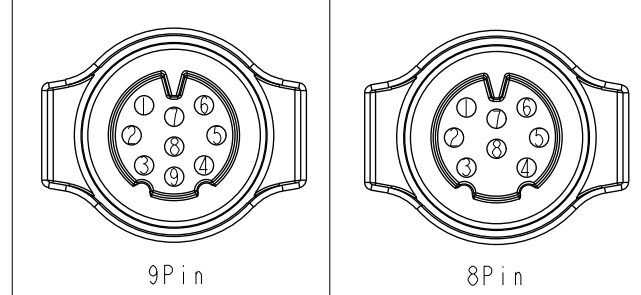
Amphenol LTW
安費諾亮泰企業股份有限公司

ITEM NO	DRAWN BY Joyy	DATE 2015-11-10
DWG NO CD-XXRFFC-RC7BXX	CHECKED BY Lu Di	DATE 2015-11-10
CUSTOMER ALTW	APPROVED BY Jerry	DATE 2015-11-10

THIS DOCUMENT IS SUBJECT TO CHANGE WITHOUT NOTICE. IT IS CONFIDENTIAL AND A PROPERTY OF Amphenol LTW. DISCLOSURE TO THIRD PARTY HAS TO BE AUTHORIZED BY Amphenol LTW.



9	White	白	9	--	
8	Purple	紫	8	Purple	紫
7	Red	紅	7	Red	紅
6	Green	綠	6	Green	綠
5	Yellow	黃	5	Yellow	黃
4	Blue	藍	4	Blue	藍
3	Orange	橘	3	Orange	橘
2	Brown	棕	2	Brown	棕
1	Black	黑	1	Black	黑



Pin Out	4	--	4	Blue	藍	4	Blue	藍	6	Green	綠	6	Grey	灰	9	--		
	3	White	3	White	白	3	White	白	5	--		5	Yellow	黃	8	--		
	2	--	2	--		2	Brown	棕	4	Black	黑	4	Green	綠	7	Red	紅	
	1	Black	1	Black	黑	1	Black	黑	3	Blue	藍	3	White	白	6	Green	綠	
									2	White	白	2	Blue	藍	5	Yellow	黃	
									1	Brown	棕	1	Brown	棕	4	Blue	藍	
																3	Orange	橘
																2	Brown	棕
																1	Black	黑
Pin Assignments Front View	2Pin		3Pin		4Pin		5Pin		6Pin		7Pin							

UNIT:mm		TITLE MIDDLE PANEL RBL F CONN F PIN		Amphenol LTW		ITEM NO	DRAWN BY	DATE
TOLERANCE	±0.5mm	SCALE	1:1	SIZE	A4	DWG NO	Joyy	2015-11-10
		REV.	D	WC-REV.	A.2	CUSTOMER	Lu Di	2015-11-10
					QC: Inspection item	ALTW	Jerry	2015-11-10